

**PLEASE CHECK WWW.MOLEX.COM FOR LATEST PART INFORMATION**

**Part Number:** [0528082670](#)  
**Status:** **Active**  
**Overview:**  
**Description:** 1.00mm (.039") Pitch FFC/FPC Connector, SMT, Vertical, Non-ZIF Receptacle, 26 Circuits, Lead-free

**General**

Product Family FFC/FPC Connectors  
 Series 52808  
 Overview ffc\_fpc\_smt  
 Product Name N/A

**Physical**

Circuits (Loaded) 26  
 Circuits (maximum) 26  
 Color - Resin Natural  
 Contact Position N/A  
 Durability (mating cycles max) 10  
 Entry Angle N/A  
 Mated Height (in) 0.199 In  
 Mated Height (mm) 5.05 mm  
 Material - Metal Phosphor Bronze  
 Material - Plating Mating Tin-Bismuth  
 Material - Plating Termination Tin-Bismuth  
 Material - Resin High Temperature Thermoplastic  
 Number of Rows 1  
 Orientation Vertical  
 PCB Locator No  
 PCB Retention None  
 Packaging Type Embossed Tape on Reel  
 Pitch - Mating Interface (in) 0.039 In  
 Pitch - Mating Interface (mm) 1.00 mm  
 Pitch - Term. Interface (in) 0.039 In  
 Pitch - Term. Interface (mm) 1.00 mm  
 Plating min: Mating (µin) 40  
 Plating min: Mating (µm) 1  
 Plating min: Termination (µin) 40  
 Plating min: Termination (µm) 1  
 Polarized to PCB No  
 Stackable No  
 Surface Mount Compatible (SMC) Yes  
 Temperature Range - Operating -20°C to +80°C  
 Termination Interface: Style Surface Mount  
 Wire/Cable Type FFC/FPC

**Electrical**

Current - Maximum per Contact 0.5A  
 Voltage - Maximum 125V AC (RMS)/DC

**Material Info**

**Reference - Drawing Numbers**

Packaging Specification SPK-52808-001  
 Product Specification PS-52808-004, RPS-52808-039, RPS-52808-044, RPS-52808-045, RPS-52808-047, RPS-52808-048, RPS-52808-049  
 Sales Drawing SD-52808-027, SD-52808-028

**EU RoHS**

**ELV and RoHS Compliant**  
**REACH SVHC Contains SVHC: No**  
**Halogen-Free Status**

**China RoHS**



**Not Reviewed**

**Need more information on product environmental compliance?**

Email [productcompliance@molex.com](mailto:productcompliance@molex.com)  
 For a multiple part number RoHS Certificate of Compliance, [click here](#)

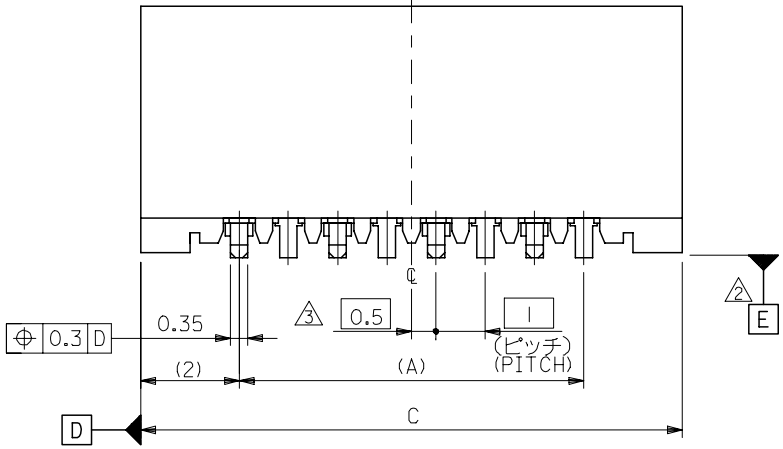
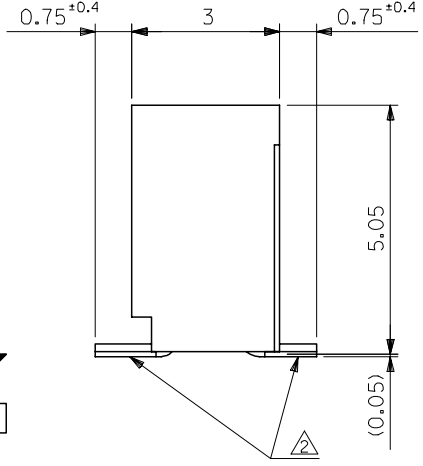
Please visit the [Contact Us](#) section for any non-product compliance questions.

**Search Parts in this Series**  
 52808Series

This document was generated on 06/05/2010

**PLEASE CHECK [WWW.MOLEX.COM](http://WWW.MOLEX.COM) FOR LATEST PART INFORMATION**

10 9 8 7 6 5 4 3 2 1



33	31.05	29	52808-3019	30
32	30.05	28	-2919	29
31	29.05	27	-2819	28
30	28.05	26	-2719	27
29	27.05	25	-2619	26
28	26.05	24	-2519	25
27	25.05	23	-2419	24
26	24.05	22	-2319	23
25	23.05	21	-2219	22
24	22.05	20	-2119	21
23	21.05	19	-2019	20
22	20.05	18	-1919	19
21	19.05	17	-1819	18
20	18.05	16	-1719	17
19	17.05	15	-1619	16
18	16.05	14	-1519	15
17	15.05	13	-1419	14
16	14.05	12	-1319	13
15	13.05	11	-1219	12
14	12.05	10	-1119	11
13	11.05	9	-1019	10
12	10.05	8	-0919	9
11	9.05	7	-0819	8
10	8.05	6	-0719	7
9	7.05	5	-0619	6
8	6.05	4	-0519	5
7	5.05	3	52808-0419	4

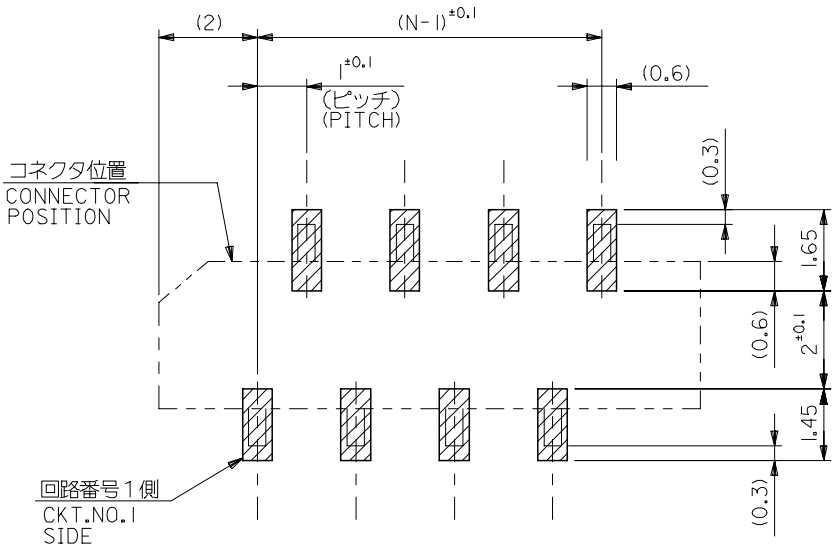
注記 NOTES:

1. 使用材料 MATERIAL  
 ハウジング: PPS, UL94V-0 HOUSING : PPS, UL94V-0  
 ターミナル: リン青銅 ( $\pm 0.25$ ) TERMINAL : PHOSPHOR BRONZE  
 メッキ: ニッケル下地鍍ビスマスメッキ PLATING : TIN-BISMUTH OVER NICKEL
2. 基準面 [E] からのソルダーテールの半田付け面のズレ量は、  
 上方向に0.1 MAX. 下方向0.15 MAX. とする。  
 MISALIGNMENT OF SOLDER TAIL FROM [E]  
 : UPPER DIRECTION 0.1 MAX. , LOWER DIRECTION 0.15 MAX.
3. 偶数極に適用。  
 APPLY FOR EVEN CKT.
4. 本製品は52808-\*\*-10の鉛フリー品である。  
 THIS PRODUCT IS LEAD FREE OF 52808-\*\*-10

REVISED EC NO: J2006-1497 DRW: NABE1 2005/11/04 CHK: KYOYODA 2005/11/07 APP: NUKITA 2005/11/11	GENERAL TOLERANCES (UNLESS SPECIFIED)		DIMENSION STYLE MM ONLY		SCALE ---	DESIGN UNITS METRIC	THIRD ANGLE PROJECTION
	10 UNDER	$\pm 0.2$	DRAWN BY M. NABE1	DATE '04/02/19	TITLE 1.0 FFC CONN. NON ZIF SMT. ST. -LEAD FREE-		
	10 OVER 30 UNDER	$\pm 0.25$	CHECKED BY M. SASAO	DATE '04/02/19	MOLEX INCORPORATED		
	30 OVER	$\pm 0.3$	APPROVED BY M. SASAO	DATE '04/02/19	MATERIAL NO. SEE CHART	DOCUMENT NO. SD-52808-027	SHEET NO. 1 OF 1
A	ANGULAR $\pm 3^\circ$		DRAFT WHERE APPLICABLE MUST REMAIN WITHIN DIMENSIONS		THIS DRAWING CONTAINS INFORMATION THAT IS PROPRIETARY TO MOLEX INCORPORATED AND SHOULD NOT BE USED WITHOUT WRITTEN PERMISSION		



(仕上がり厚さ)  $0.3 \pm 0.03$   
THICKNESS  
適合FPC推奨寸法  
APPLICABLE FPC  
RECOMMENDED DIMENSION.



参考基板レイアウト (マウント面)  
RECOMMENDED P.C.BOARD  
PATTERN DIMENSION. (REF.)  
(MOUNTING AREA)

FPCについて:

- 打抜き方向は、導体側から補強板側を推奨いたします。
- 補強フィルム材質は、ポリイミドを推奨いたします。
- 接着剤は、熱硬化接着剤を推奨いたします。

ABOUT FPC:

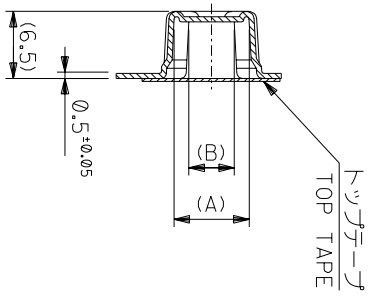
RECOMMENDED PUNCHER DIRECTION : FROM CONDUCTOR SIDE TO STIFFENER BOARD SIDE.

RECOMMENDED MATERIAL:

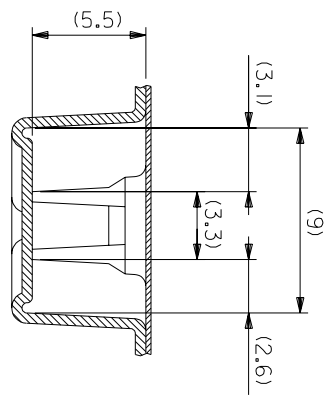
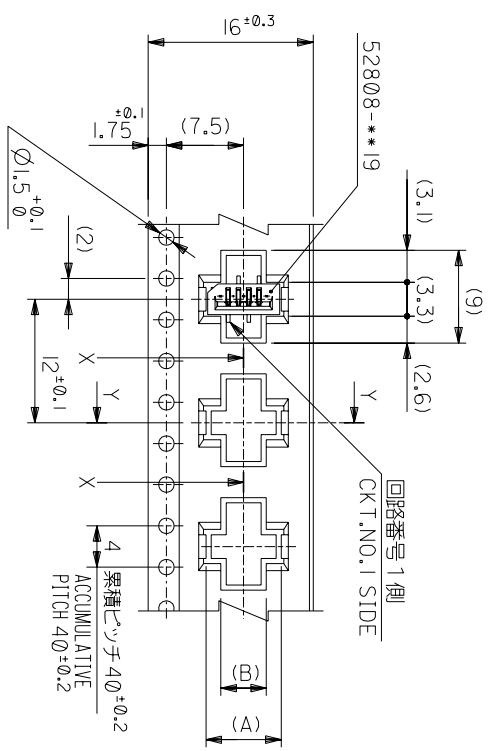
STIFFENER FILM : POLYIMIDE  
BONDING AGENT : THERMOSETTING BONDING AGENT

REVISED EC NO: J2006-1497 DRWN: NABEI 2005/11/04 CHKDK: TOYODA 2005/11/07 APPR: NUKITA 2005/11/11 A	GENERAL TOLERANCES (UNLESS SPECIFIED)		DIMENSION STYLE MM ONLY		SCALE ---	DESIGN UNITS METRIC	THIRD ANGLE PROJECTION		
	10 UNDER	±0.2	DRAWN BY	DATE	TITLE				
	10 <sup>0</sup> OVER 30 UNDER	±0.25	CHECKED BY	DATE	1.0 FFC CONN. NON ZIF				
	30 OVER	±0.3	APPROVED BY	DATE	SMT. ST.				
	ANGULAR	±3 °	MATERIAL NO.	DATE	-LEAD FREE-				
DRAFT WHERE APPLICABLE MUST REMAIN WITHIN DIMENSIONS		SEE CHART		DOCUMENT NO. SD-52808-027		SHEET NO. 2 OF 2			
THIS DRAWING CONTAINS INFORMATION THAT IS PROPRIETARY TO MOLEX INCORPORATED AND SHOULD NOT BE USED WITHOUT WRITTEN PERMISSION								MOLEX INCORPORATED	





SECT.Y-Y

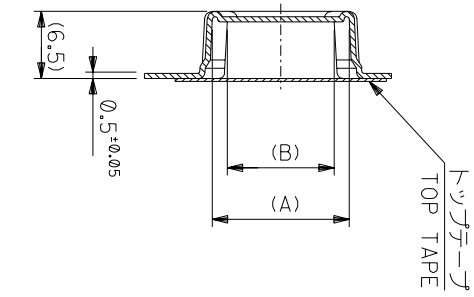


16mm幅キャリアテープ  
16mm WIDTH CARRIER TAPE

角度 ANGLE	±3°
30以上	±0.2
10以下	±0.25
10未満	±0.2
10未満	±0.2

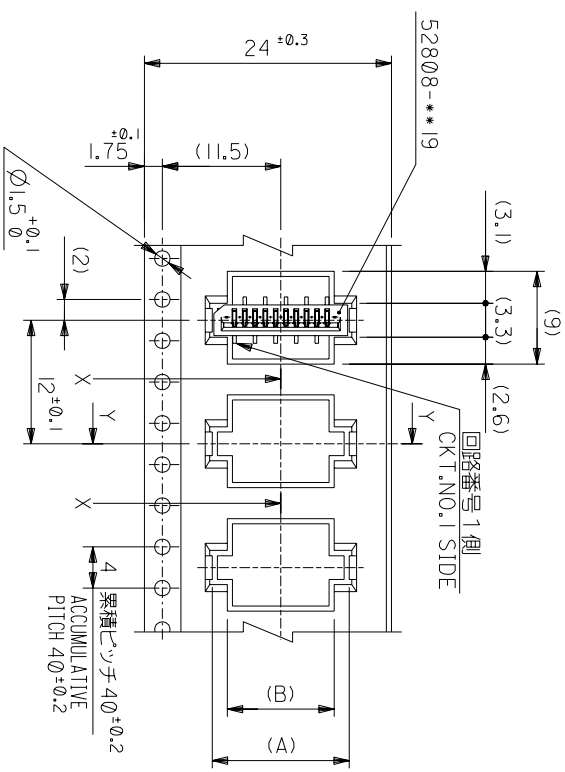
記号	0	新規作成	(12/04/2528)	DR	MAN	DATE	19/02/04
TR		変更内容		CHK	M.S	DATE	19/02/04
GENERAL TOLERANCES							
MODEL NO.	52808-**-70	CARRIER TAPE WIDTH	16				
MATERIAL	キャリアテープ	REFER TO SHEET 1 OF 6					
FINISH	仕上げ						
適用電線範囲	—#—						
線径範囲	—#—						
INS. RANGE	—#—						
DRAWN BY	MANABEI	CHK'D BY	M.SASAO				
尺	1/2	尺	1/2				
SCALE	—#—						
TITLE 名称	REVISE ONLY ON CAD SYSTEM						
1.0 FFC CONN NON ZIF	MOLEX-JAPAN CO.,LTD.						
SMT ST EMBSTD PKG	MOLEX 日本モリス株式会社						
-LEAD FREE-							
DWG. NO.	SD-52808-028	(SHEET 2 OF 6)	REV	0			

THIS DRAWING CONTAINS INFORMATION THAT IS PROPRIETARY TO MOLEX(JAPAN) AND SHOULD NOT BE USED WITHOUT WRITTEN PERMISSION  
 本図面は日本モリス(株)の所有する情報を含むもので 当社の許可なく複製を禁止する。

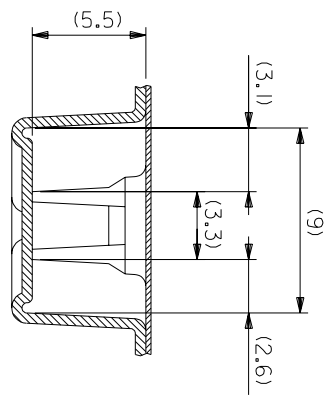


SECT:Y-Y

24mm幅キヤリヤテープ  
24mm WIDTH CARRIER TAPE



引き出し方向  
PULL OUT DIRECTION



SECT:X-X  
(SCALE:4-1)

MODEL NO.	52808-**70	キヤリヤテープ幅 CARRIER TAPE WIDTH	C	(B)	(A)	種数 CKT.
	24	25.5	10.4	13.3	52808-1070	10
			9.4	12.3	52808-0970	9
			8.4	11.3	52808-0870	8
			7.4	10.3	52808-0770	7
			6.4	9.3	52808-0670	6

材料 MATERIAL SHEET 10F 6 参照 REFER TO SHEET 10F 6  
仕上げ FINISH #  
適用電線範囲 WIRE RANGE #  
標準外径 INS. RANGE #  
DRAWN BY 04/02/19 CHK'D BY 04/02/19  
M.NABEY M.SASAO  
APP'D BY 04/02/19 SCALE #  
M.SASAO

角度 ANGLE	±3°
30 以上	±0.2
10 以下	±0.25
10 以下	±0.2

一般公差 GENERAL TOLERANCES	記号 LTR	変更内容 REVISION RECORD	DR-CHK.	DATE
	0	新規作成 (12004-2528)	M.N	04/02/19
			M.S	04/02/19

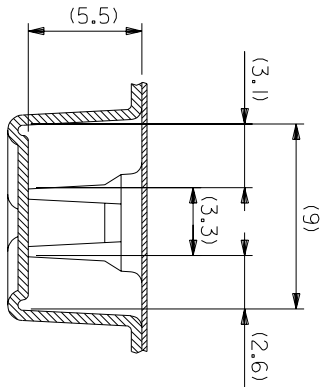
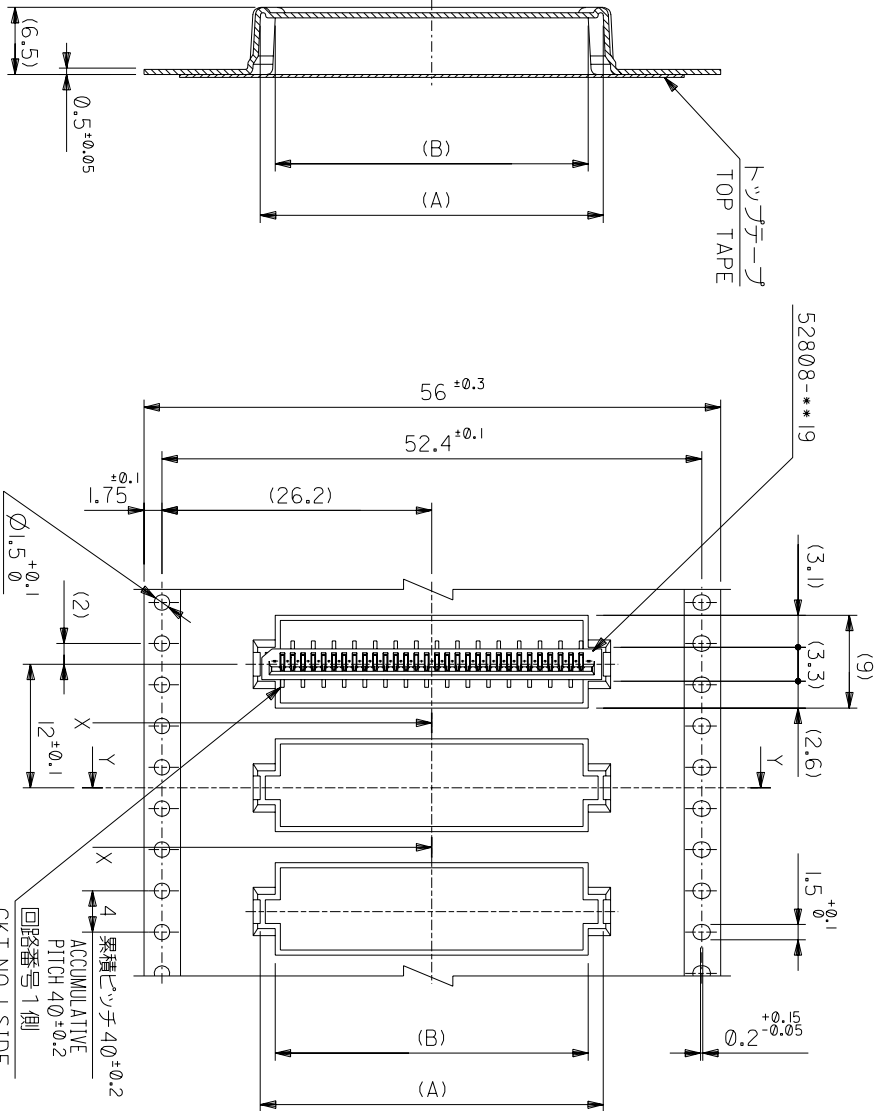
THIS DRAWING CONTAINS INFORMATION THAT IS PROPRIETARY TO MOLEX(JAPAN) AND SHOULD NOT BE USED WITHOUT WRITTEN PERMISSION  
本図面は日本モリス(株)の所有する権利を有するもので 当社の許可なく複製を禁止する。

REVISE ONLY ON CAD SYSTEM  
TITLE 名称  
1.0 FCC Conn NON ZIF  
SMT ST Embs+D PKG  
-LEAD FREE-  
DWG. NO. SD-52808-028 (SHEET 3 OF 6)  
REV 0









SECT:Y-Y

56mm幅キヤリヤテープ  
56mm WIDTH CARRIER TAPE

PULL OUT DIRECTION  
引き出し方向

累積ピッチ  $4\phi \pm 0.2$   
ACUMULATIVE PITCH  $4\phi \pm 0.2$   
回路番号 1側  
CKT.NO.1 SIDE

52808-**-70	MODEL NO.	56	CARRIER TAPE WIDTH
57.5	C	30.4	(A)
29.4	(B)	32.3	(B)
33.3	(A)	52808-3070	30
52808-2970	MATERIAL NO.	29	種数
			CT.

材料 MATERIAL SHEET 1 OF 6 参照 REFER TO SHEET 1 OF 6  
仕上げ FINISH #  
適用電線範囲 適用電線範囲 #  
標準外径 INS. RANGE #  
DRAWN BY 04/02/19 CHK'D BY 04/02/19  
M.NABEJI M.SASAO  
APP'D BY 04/02/19 M.SASAO  
M.SASAO SCALE #

角度 ANGLE	$\pm 3^\circ$
30以上	$\pm 0.2$
10以下	$\pm 0.15$
未測	$\pm 0.2$
10以下	$\pm 0.2$

記号	0	新規作成 (2004-2528)	DR	MAN	04/02/19
TR		変更内容	CHK.	M.S.	04/02/19
GENERAL TOLERANCES		REVISION RECORD	DATE		

THIS DRAWING CONTAINS INFORMATION THAT IS PROPRIETARY TO MOLEX(JAPAN) AND SHOULD NOT BE USED WITHOUT WRITTEN PERMISSION  
本図面は日本モリス(株)の所有する情報を含むもので 当社の許可なく複製を禁止する。