

PLEASE CHECK WWW.MOLEX.COM FOR LATEST PART INFORMATION

Part Number: [0513471000](#)
Status: **Active**
Description: 3.30mm (.130") Pitch Wire-to-Wire Receptacle Housing, Positive Lock, Dual Row, 10 Circuits

Documents:

[Drawing \(PDF\)](#) [RoHS Certificate of Compliance \(PDF\)](#)
[Product Specification PS-51347-001 \(PDF\)](#)

General

Product Family Crimp Housings
 Series [51347](#)
 Product Name N/A

Physical

Circuits (maximum) 10
 Color - Resin Natural
 Gender Female
 Glow-Wire Compliant No
 Lock to Mating Part Yes
 Material - Resin Nylon
 Number of Rows 2
 Packaging Type Bag
 Panel Mount No
 Pitch - Mating Interface (in) 0.130 In
 Pitch - Mating Interface (mm) 3.30 mm
 Polarized to Mating Part Yes
 Stackable No
 Temperature Range - Operating -25°C to +85°C

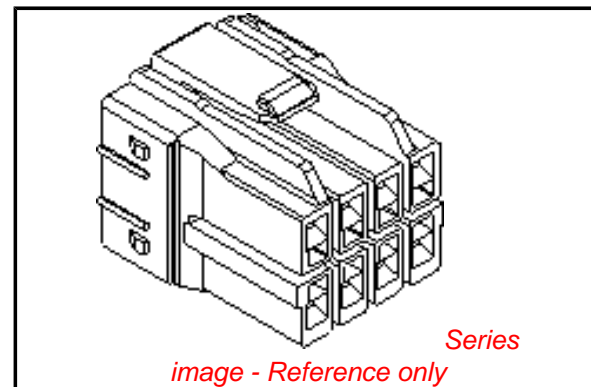
Electrical

Current - Maximum per Contact 4A

Material Info

Reference - Drawing Numbers

Product Specification PS-51347-001, RPS-51284-006, RPS-51347-004, RPS-51347-005, RPS-51347-006, RPS-51347-007
 Sales Drawing SD-51347-002



EU RoHS

ELV and RoHS Compliant
REACH SVHC Contains SVHC: No
Halogen-Free Status

China RoHS



Need more information on product environmental compliance?

Email productcompliance@molex.com
 For a multiple part number RoHS Certificate of Compliance, [click here](#)

Please visit the [Contact Us](#) section for any non-product compliance questions.

Search Parts in this Series

[51347Series](#)

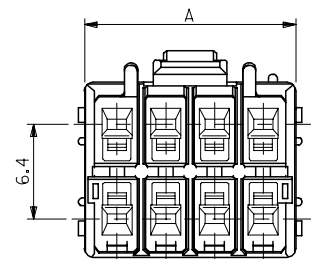
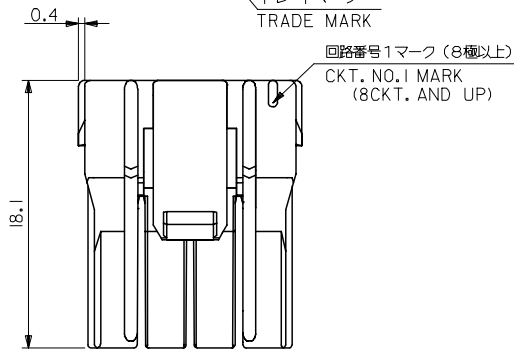
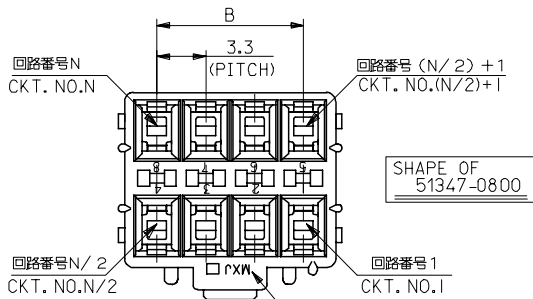
Mates With

[51346-1000](#)

Use With

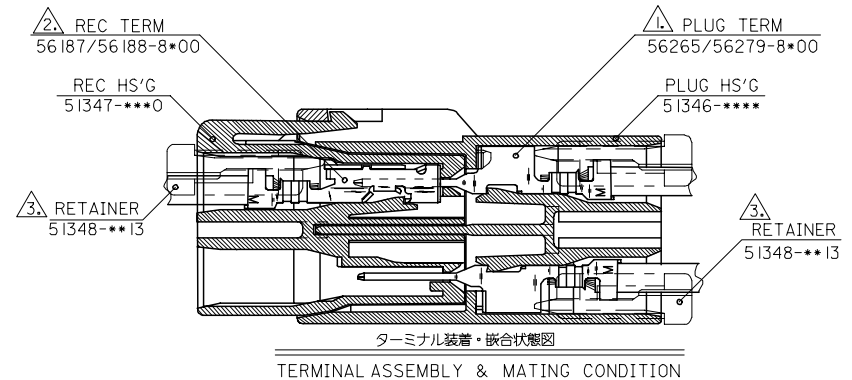
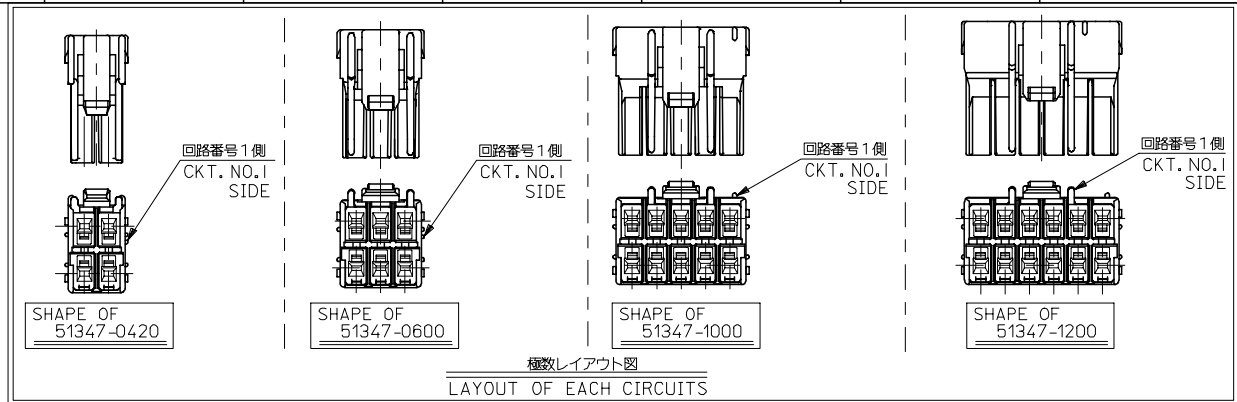
[51348](#) , [56187](#)

本図は2列品を示す
DUAL ROW ASS'Y



注記
NOTES

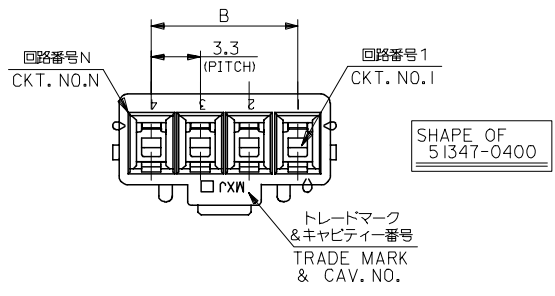
- △ 適合ターミナル: 56187/56188シリーズ
APPLICABLE TERMINAL : 56187/56188 SERIES
- 2, 嵌合相手 : 51346シリーズ
MATE WITH : 51346 SERIES
- △ 適合リテーナー : 51348-***1* シリーズ
APPLICABLE RETAINER : 51348-***1* SERIES
- 4, 材質 : NYLON66, UL94V-0



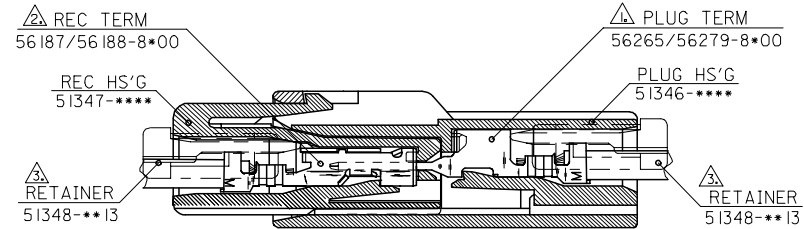
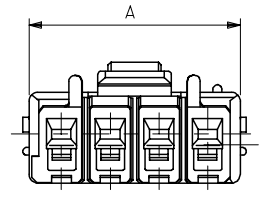
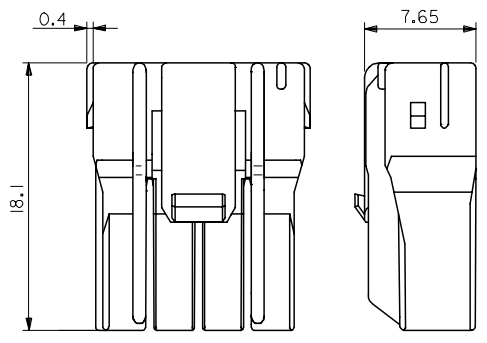
51346-1200	51348-0613	NATURAL	16.5	20.9	12	51347-1200	
-1000	-0513	△	13.2	17.6	10	-1000	51347-****
-0800	-0413	△	9.9	14.3	8	-0800	
-0600	-0313	△	6.6	11	6	-0600	
51346-0420	51348-0213	NATURAL	3.3	7.7	4	51347-0420	
MATE WITH	CONFORMABLE-RETAINER	COLOR	B	A	CKT.	MATERIAL NO.	MODEL NO.

REVISED EC NO: J2008-1833 DRW: MNABEI CHKD: THARUYAMA APPR: NUKITA	DESCRIPTION 2007/11/16 2007/11/19 2007/11/20	GENERAL TOLERANCES (UNLESS SPECIFIED)		DIMENSION STYLE MM ONLY		SCALE ---	DESIGN UNIT'S METRIC	THIRD ANGLE PROJECTION	
		10 UNDER	±0.2	DRAWN BY T.ODA	DATE '04/01/15	TITLE 3.3 W/W CONN REC HS'G			
		10 OVER 30 UNDER	±0.25	CHECKED BY S. ICHIKAWA	DATE				
		30 OVER	±0.3	APPROVED BY Y. ITO	DATE	MOLEX MOLEX INCORPORATED			
		ANGULAR	±3 °	MATERIAL NO.	DOCUMENT NO.	SD-51347-002		SHEET NO. 1 OF 2	
DRAFT WHERE APPLICABLE MUST REMAIN WITHIN DIMENSIONS		SIZE A3		THIS DRAWING CONTAINS INFORMATION THAT IS PROPRIETARY TO MOLEX INCORPORATED AND SHOULD NOT BE USED WITHOUT WRITTEN PERMISSION					

本図は1列品を示す
SINGLE ROW ASS'Y

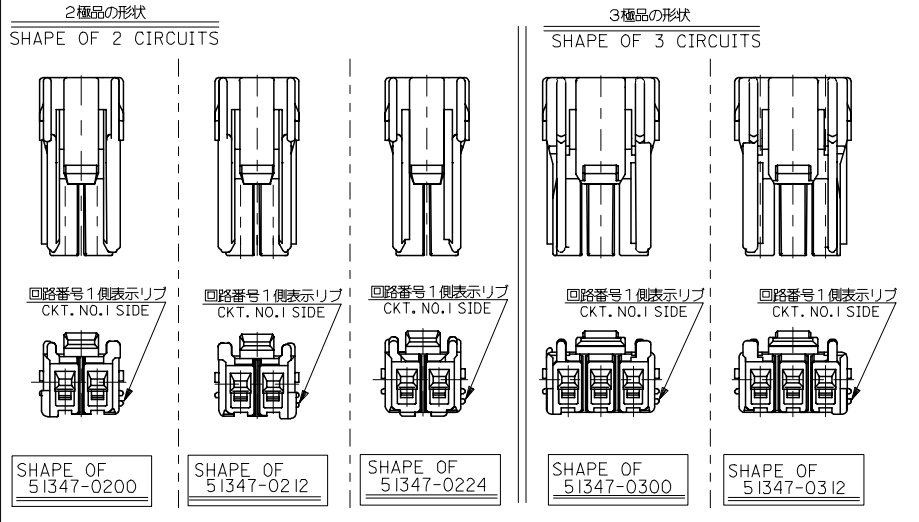


SHAPE OF 51347-0400



ターミナル装着・嵌合状態図
TERMINAL ASSEMBLY & MATING CONDITION

各種形状を下記に参考として示す。
尚、2極及び3極については嵌合間口にて誤嵌合パリエーションを持たせている為組み合わせには注意して下さい。



- 注記 NOTES
- △ 適合ターミナル : 56265/56279-8*00
APPLICABLE TERMINAL
詳細はSD-56265-001/SD-56279-001参照のこと。
REFERENCE:SD-56265-001/SD-56279-001
 - △ 適合ターミナル : 56187/56188-8*00
APPLICABLE TERMINAL
詳細はSD-56187-002/SD-56188-002参照のこと。
REFERENCE:SD-56187-002/SD-56188-002
 - △ 適合リテーナー : 51348-***13
APPLICABLE RETAINER
詳細はSD-51348-***参照のこと。
REFERENCE:SD-51348-***
 - 4, 材料 : NYLON66, UL94V-0
MATERIAL

51346-0400	51348-0413	NATURAL	9.9	14.3	4	51347-0400	
-0312	-0313	RED	6.6	11	3	-0312	51347-****
-0300	-0313	NATURAL	6.6	11		-0300	
-0224	-0213	BLUE	3.3	7.7		-0224	
-0212	-0213	RED	3.3	7.7	2	-0212	
51346-0200	51348-0213	NATURAL	3.3	7.7		51347-0200	
MATE WITH	CONFORMABLE-RETAINER	COLOR	B	A	CKT.	MATERIAL NO.	MODEL NO.

REVISED EC NO: J2008-1833 DRW:MNABE 2007/11/16 CHKD:THARUYAMA 2007/11/19 APPR:NUKITA 2007/11/20	DESCRIPTION A	GENERAL TOLERANCES (UNLESS SPECIFIED)		DIMENSION STYLE MM ONLY		SCALE ---		DESIGN UNIT'S METRIC		THIRD ANGLE PROJECTION	
		10 UNDER	±0.2	DRAWN BY	DATE	TITLE		3.3W/W CONN REC HS'G			
		10 OVER 30 UNDER	±0.25	CHECKED BY	DATE						
		30 OVER	±0.3	APPROVED BY	DATE						
		ANGULAR	±3 °			MATERIAL NO.		DOCUMENT NO.		SHEET NO.	
DRAFT WHERE APPLICABLE MUST REMAIN WITHIN DIMENSIONS		SIZE A3		SEE TABLE		SD-51347-002		2 OF 2			