

PLEASE CHECK WWW.MOLEX.COM FOR LATEST PART INFORMATION

Part Number: [0191180021](#)
Status: **Active**
Description: Krimptite™ Flanged Spade Tongue Terminal for 18-22 AWG Wire, Stud Size 6, Length 14.12mm (.556")

Documents:

[Drawing \(PDF\)](#) [RoHS Certificate of Compliance \(PDF\)](#)

Agency Certification

CSA LR18689
 UL E32244

General

Product Family Ring and Spade Terminals
 Series [19118](#)
 Crimp Quality Equipment Yes
 Mil-Spec N/A
 MolexKits Yes
 Product Name Krimptite™
 Type Spade

Physical

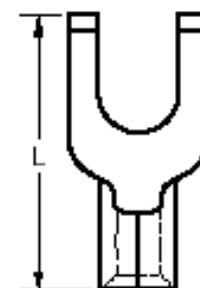
Barrel Type Closed
 Insulation None
 Material - Plating Mating Tin
 Packaging Type Bag
 Stud Size 6 (M3.5)
 Wire Size AWG 18, 20, 22
 Wire Size mm² 0.25 - 1.50

Material Info

Old Part Number AA-115-06

Reference - Drawing Numbers

Sales Drawing SD-19118-003



*Series
image - Reference only*

EU RoHS

**ELV and RoHS
Compliant**
**REACH SVHC
Contains SVHC: No**
**Halogen-Free
Status**

China RoHS



**Need more information on product
environmental compliance?**

Email productcompliance@molex.com
 For a multiple part number RoHS Certificate of Compliance, [click here](#)

Please visit the [Contact Us](#) section for any non-product compliance questions.

Search Parts in this Series

[19118Series](#)

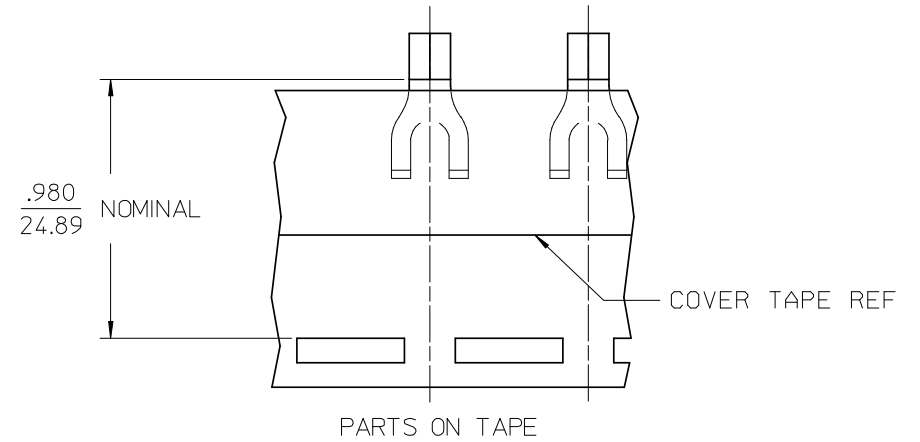
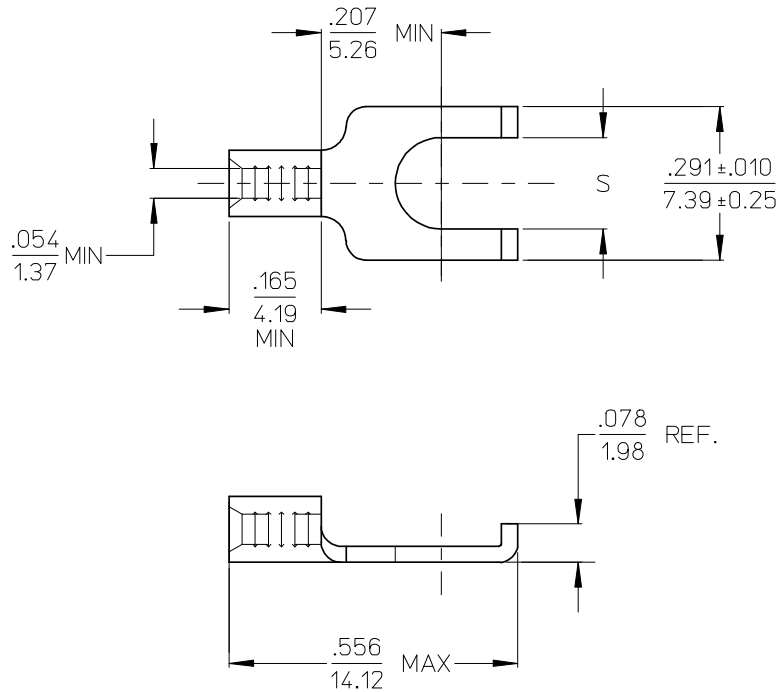
Application Tooling | [FAQ](#)

Tooling specifications and manuals are found by selecting the products below. Crimp Height Specifications are then contained in the Application Tooling Specification document.

Global

Description	Product #
Hand Crimp Tool	0640030100
Crimp Head for the AT-200™ Pneumatic Hand Tool	0640070100

LOOSE PIECE		TAPE MOUNTED			
MATERIAL NUMBER	ENGINEERING NUMBER	MATERIAL NUMBER	ENGINEERING NUMBER	STUD SIZE	S ±.005
191180021	AA-115-06	191180022	AA-115-06T	6	.146/3.71
191180023	AA-115-08	191180024	AA-115-08T	8	.173/4.39
191180025	AA-115-10	191180099	AA-115-10T	10	.198/5.03



SALES DRAWING

NOTES:

1. MATERIAL: COPPER .031/0.78 THICK, REF.
2. PLATING: ELECTRO-TIN
3. PART IS RoHS COMPLIANT

ADD NOTE 3, REV DIMS EC NO: ETC2008-0012 DRWN: RSTONE 2007/11/26 CHKD: JMACNEIL 2007/11/26 APPR: JMACNEIL 2007/12/05	QUALITY SYMBOLS ▽=0 ▽=0	GENERAL TOLERANCES (UNLESS SPECIFIED)		DIMENSION STYLE IN/MM	SCALE 4:1	DESIGN UNITS INCH	THIRD ANGLE PROJECTION	
		4 PLACES ± --- ± ---	DRAWN BY JJ	DATE 1984/10/17	TITLE FLANGED SPADE TONGUE TERMINAL KRIMPTITE 100-SERIES			
		3 PLACES ± --- ± .005	CHECKED BY GZ	DATE 1984/10/18	MOLEX INCORPORATED			
		2 PLACES ± 0.13 ± .01	APPROVED BY GZ	DATE 1984/10/18	MATERIAL NO. SEE CHART	DOCUMENT NO. SD-19118-003	SHEET NO. 1 OF 1	
1 PLACE ± 0.25 ± ---		ANGULAR ± ---°		DRAFT WHERE APPLICABLE MUST REMAIN WITHIN DIMENSIONS				