

PLEASE CHECK WWW.MOLEX.COM FOR LATEST PART INFORMATION

Part Number: **0192030048**
Status: **Active**
Description: Krimptite™ Temp-Term Ring Tongue Terminal for 14 to 16 AWG Wire, Stud Size 6, Mylar Tape Carrier

Documents:

[Drawing \(PDF\)](#) [RoHS Certificate of Compliance \(PDF\)](#)

Agency Certification

UL E32244

General

Product Family Ring and Spade Terminals
 Series 19203
 Crimp Quality Equipment Yes
 Mil-Spec N/A
 Product Name Krimptite™, Temp-Terms
 Type Ring

Physical

Barrel Type Closed
 Insulation None
 Material - Plating Mating Tin
 Packaging Type Adhesive Tape on Reel
 Stud Size 6 (M3.5)
 Wire Size AWG 14, 16
 Wire Size mm² 1.00 - 2.50

Material Info

Old Part Number B-S-137-06T

Reference - Drawing Numbers

Sales Drawing SD-19203-029



*Series
image - Reference only*

EU RoHS

**ELV and RoHS
Compliant**

REACH SVHC

Contains SVHC: No

Halogen-Free

Status

Not Reviewed

China RoHS



**Need more information on product
environmental compliance?**

Email productcompliance@molex.com
 For a multiple part number RoHS Certificate of Compliance, [click here](#)

Please visit the [Contact Us](#) section for any non-product compliance questions.

Search Parts in this Series

19203Series

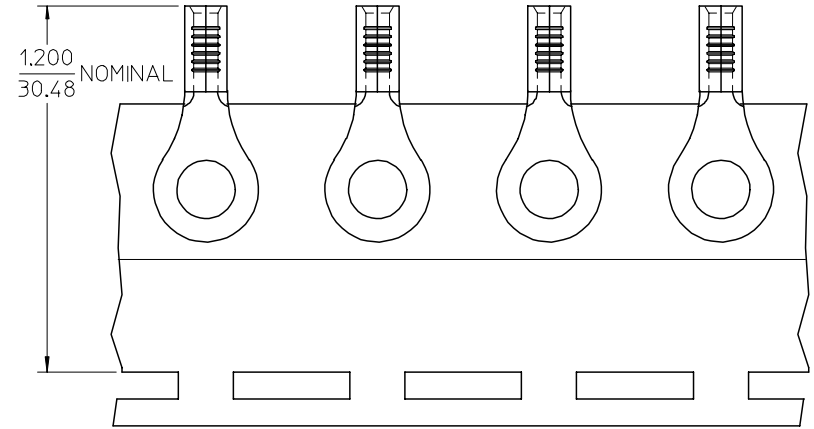
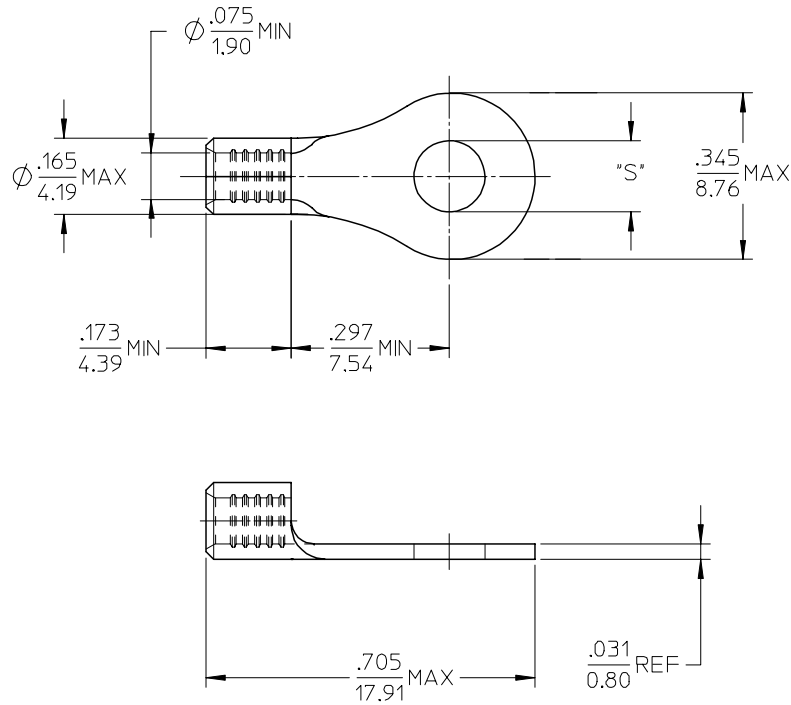
Application Tooling | [FAQ](#)

Tooling specifications and manuals are found by selecting the products below. Crimp Height Specifications are then contained in the Application Tooling Specification document.

Global

Description	Product #
ATP Perishable Tool Kit used in ATP presses that process product on tape	<u>0190270055</u>
Mini-Mac™ Applicator	<u>0638858100</u>

MATERIAL NO.	ENG. NO.	STUD SIZE	"S" MAX	DESCRIPTION
192030488	B-S-137-06	6	.149/3.78	LOOSE
192030048	B-S-137-06T	6	.149/3.78	TAPE



PARTS ON TAPE

NOTE(S):

- MATERIAL: STEEL
- WIRE SIZE: 16-14 AWG (1.5-2.5 MM²)
- FINISH: NICKEL PLATING
- PART IS ROHS COMPLIANT.
- AMBIENT OPERATING TEMPERATURE UP TO 900 °F (483 °C).

ADDED OPERATING TEMP	2007/03/13
EC NO: ETC2007-0297	DRW: NEHLE
CHKD: JMACNEIL	2007/03/13
APPR: JMACNEIL	2007/03/14

QUALITY SYMBOLS	DESCRIPTION
▽=0	
▽=0	

GENERAL TOLERANCES (UNLESS SPECIFIED)	
mm	INCH
4 PLACES ± .005	± .0004
3 PLACES ± .004	± .0003
2 PLACES ± .003	± .0002
1 PLACE ± .002	± .0001
ANGULAR ± .005°	

DIMENSION STYLE	
IN/MM	
DRAWN BY	DATE
EHILE	2006/09/20
CHECKED BY	DATE
JMACNEIL	2006/09/20
APPROVED BY	DATE
JMACNEIL	2006/09/20

SCALE	DESIGN UNITS	THIRD ANGLE PROJECTION
4:1	INCH	
TITLE		
RING TONGUE TERMINAL, 16-14 AWG, KRIMPTITE, 900 DEG F (483 DEG C)		
MATERIAL NO.		
SEE CHART		
DOCUMENT NO.		
SD-19203-029		
SHEET NO.		
1 OF 1		