

PLEASE CHECK WWW.MOLEX.COM FOR LATEST PART INFORMATION

Part Number: **0191390006**
Status: **Active**
Description: Avikrimp™ Block Spade Terminal for 18-22 AWG Wire

Documents:

[Drawing \(PDF\)](#) [RoHS Certificate of Compliance \(PDF\)](#)

Agency Certification

CSA LR18689
 UL E32244

General

Product Family Ring and Spade Terminals
 Series [19139](#)
 Crimp Quality Equipment Yes
 Mil-Spec N/A
 Product Name Avikrimp™
 Type Spade Block

Physical

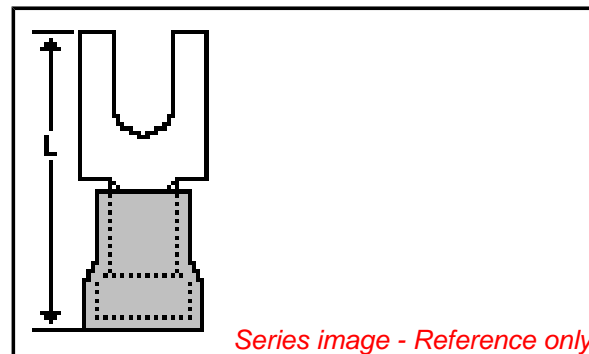
Barrel Type Closed
 Flammability 94V-0
 Insulation Nylon (PA)
 Material - Plating Mating Tin
 Packaging Type Bag
 Plating min: Mating (µin) 100
 Plating min: Mating (µm) 2.5
 Plating min: Termination (µin) 100
 Plating min: Termination (µm) 2.5
 Stud Size 5-6 (M3-3.5)
 Termination Interface: Style Crimp or Compression
 Wire Insulation Diameter 3.60mm (.142") max.
 Wire Size AWG 18, 20, 22
 Wire Size mm² 0.35 - 0.80

Material Info

Old Part Number AA-8118-06

Reference - Drawing Numbers

Sales Drawing SD-19139-004



EU RoHS

**ELV and RoHS
 Compliant**
REACH SVHC
 Not Reviewed
**Halogen-Free
 Status**
Not Reviewed

China RoHS



**Need more information on product
 environmental compliance?**

Email productcompliance@molex.com
 For a multiple part number RoHS Certificate of
 Compliance, [click here](#)

Please visit the [Contact Us](#) section for any
 non-product compliance questions.

Search Parts in this Series

[19139Series](#)

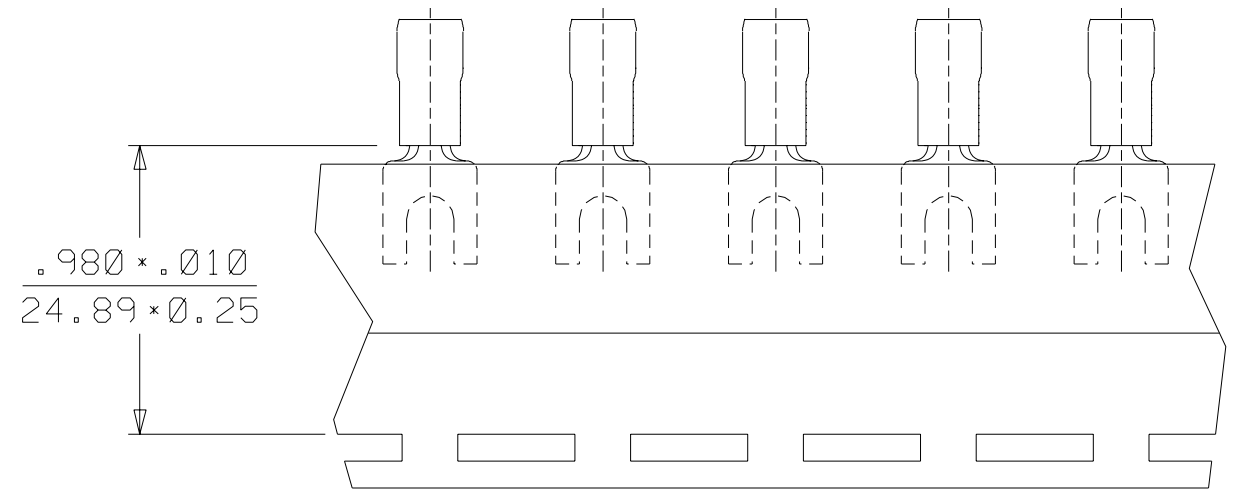
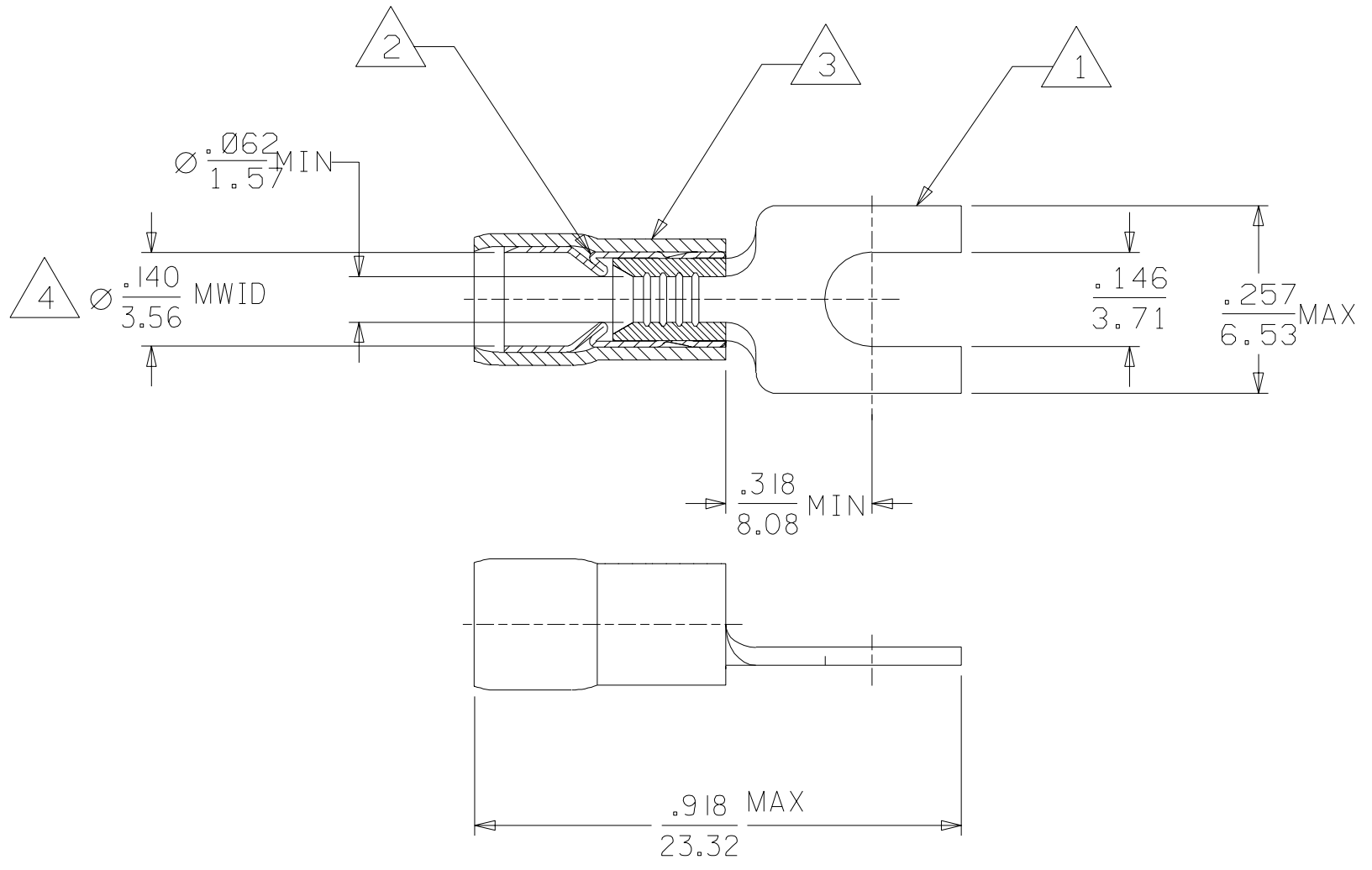
Application Tooling | [FAQ](#)

*Tooling specifications and manuals are
 found by selecting the products below.
 Crimp Height Specifications are then
 contained in the Application Tooling
 Specification document.*

Global

Description	Product #
Hand Crimp Tool	0640010100
Hand Crimp Tool	0640011200
Crimp Head for the AT-200™ Pneumatic Hand Tool	0640050100
Crimp Head for the AT-200™ Pneumatic Hand Tool	0640051200

MATERIAL NUMBER	ENGINEERING NUMBER	STUD SIZE	PACKAGING
191390006	AA-8118-06	6	LOOSE PIECE
191390007	AA-8118-06T		TAPE MOUNTED



TAPE MONTING LOCATION

SALES DRAWING

NOTES:

- 1. TERMINAL MATERIAL: COPPER .028 THICK.
- 2. FERRULE: TIN-PLATED BRASS.
PLATING: ELECTROPLATE TIN
- 3. INSULATION: LT. RED NYLON
- 4. MWID=MAXIMUM WIRE INSULATION DIA.

NEW RELEASE	EC NO. ETC2004-0027	DRWN: BRE 03/08/05	CHK: HEB 03/08/05	APPR: RWD 03/08/05
A	REV	DESCRIPTION	QUALITY SYMBOLS	MAJOR = 0 CRITICAL = 0

GENERAL TOLERANCES: (UNLESS SPECIFIED)	
4 PLACES	±0.00
3 PLACES	±0.01
2 PLACES	±0.02
1 PLACE	±0.03
ANGULAR: ±1/2°	
DRAFT WHERE APPLICABLE MUST REMAIN WITHIN DIMENSIONS	

SCALE NO: NE	DESIGN UNITS
BRE 03/07/30	<input type="checkbox"/> mm <input checked="" type="checkbox"/> INCH
CHECKED BY & DATE	HEB 03/07/30
APPROVED BY & DATE	RWD 03/07/30
CAD FILENAME	SD-19139-002.DGN

DIMENSIONS:		SHT	REV
<input type="checkbox"/> mm	<input checked="" type="checkbox"/> INCH		
THIRD ANGLE PROJECTION			
TITLE: BLOCK SPADE TONGUE TERMINAL AVIKRIMP 22-18 AWG			
MOLEX INCORPORATED			
MATERIAL NO.	DRAWING NO.	SHEET NO.	
SEE CHART	SD-19139-004	1 OF 1	
THIS DRAWING CONTAINS INFORMATION THAT IS PROPRIETARY TO MOLEX INCORPORATED AND SHOULD NOT BE USED WITHOUT WRITTEN PERMISSION.			SIZE B