

PLEASE CHECK WWW.MOLEX.COM FOR LATEST PART INFORMATION

Part Number: [0674913011](#)
Status: **Active**
Overview: [serial_ata_products](#)
Description: 1.27mm (.050") Pitch Serial ATA High Speed Header, Through Hole, Vertical, 7 Circuits, 0.76µm (30µ") Gold (Au) Plating, with 3.00mm (.118") PC Tail Length, Black Housing, Lead-free

Documents:

[3D Model](#) [Product Specification PS-67491-001 \(PDF\)](#)
[Drawing \(PDF\)](#) [RoHS Certificate of Compliance \(PDF\)](#)

General

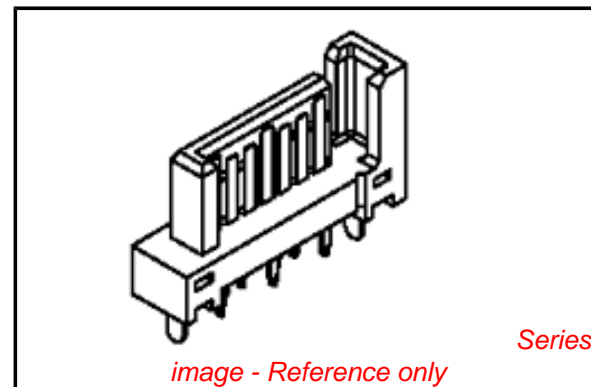
Product Family	PCB Headers
Series	67491
Application	Board-to-Board, Wire-to-Board
Overview	serial_ata_products
Product Name	Serial ATA

Physical

Breakaway	No
Circuits (Loaded)	7
Color - Resin	Black
Durability (mating cycles max)	50
First Mate / Last Break	Yes
Glow-Wire Compliant	No
Guide to Mating Part	No
Keying to Mating Part	Yes
Lock to Mating Part	Yes
Material - Plating Mating	Gold
Material - Plating Termination	Tin
Number of Rows	1
Orientation	Vertical
PC Tail Length (in)	0.118 In
PC Tail Length (mm)	3.00 mm
PCB Locator	Yes
PCB Retention	Yes
Packaging Type	Tray
Pitch - Mating Interface (in)	0.050 In
Pitch - Mating Interface (mm)	1.27 mm
Pitch - Term. Interface (in)	0.050 In
Pitch - Term. Interface (mm)	1.27 mm
Plating min: Mating (µin)	30
Plating min: Mating (µm)	0.76
Plating min: Termination (µin)	50.8
Plating min: Termination (µm)	1.27
Polarized to Mating Part	Yes
Polarized to PCB	Yes
Shrouded	No
Stackable	No
Surface Mount Compatible (SMC)	No
Temperature Range - Operating	-35°C to +85°C
Termination Interface: Style	Through Hole

Electrical

Current - Maximum per Contact	1.5A
Voltage - Maximum	15V DC



EU RoHS

ELV and RoHS Compliant
REACH SVHC
 Not Reviewed
Halogen-Free Status
 Not Reviewed

China RoHS



Need more information on product environmental compliance?

Email productcompliance@molex.com
 For a multiple part number RoHS Certificate of Compliance, [click here](#)

Please visit the [Contact Us](#) section for any non-product compliance questions.

Search Parts in this Series

[67491Series](#)

Mates With

Serial ATA Signal Connector [67489](#) , [88755](#)

Material Info

Reference - Drawing Numbers

Product Specification

PS-67491-001

Sales Drawing

SD-67491-001

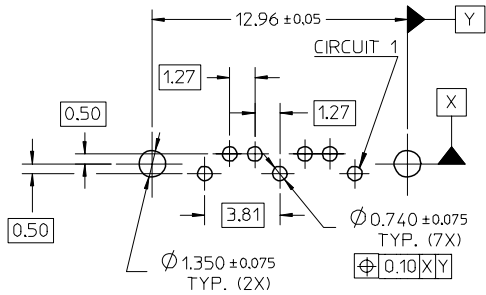
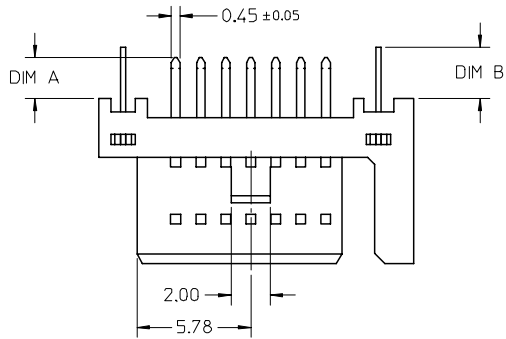
This document was generated on 05/25/2010

PLEASE CHECK WWW.MOLEX.COM FOR LATEST PART INFORMATION

10 9 8 7 6 5 4 3 2 1

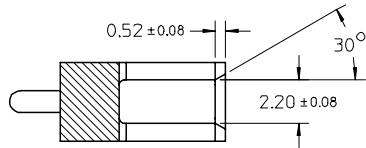
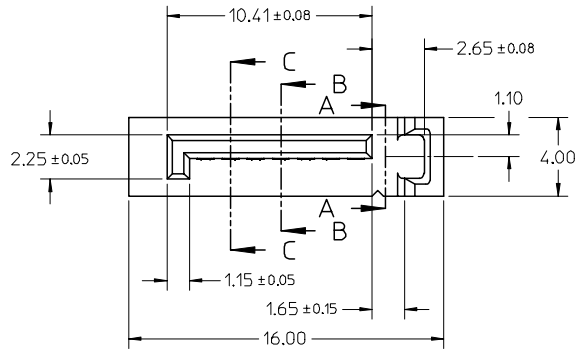
F
E
D
C
B
A

F
E
D
C
B
A

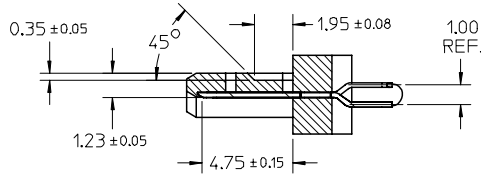


RECOMMENDED P.C.B. LAYOUT (T=1.6mm/2.0mm/2.4mm)

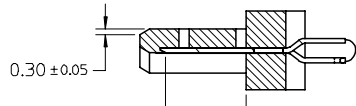
- NOTES:
- MATERIAL:
HOUSING: THERMAL PLASTIC, UL94V-0, COLOR: SEE SHEET2
TERMINAL/PEG: COPPER ALLOY, THICKNESS=0.25MM
 - TERMINAL PLATING:
CONTACT AREA: (a) GOLD FLASH
(b) 0.76 MICRON GOLD PLATED
(c) 0.38 MICRON GOLD PLATED
 - SOLDER TAIL:
1.27 MICRON MIN. MATTE TIN PLATED
UNDER PLATE:
1.27 MICRON MIN. NICKEL PLATED
 - PEG PLATING:
1.27 MICRON MIN. MATTE TIN PLATED OVERALL
1.27 MICRON MIN. NICKEL UNDER PLATED
 - PACKAGING SPECIFICATION REFER TO PK-67491-001
 - PRODUCT SPECIFICATION REFER TO PS-67491-001
 - MATING PART: 67489
 - RECOMMENDED PROCESS: WAVE SOLDERING



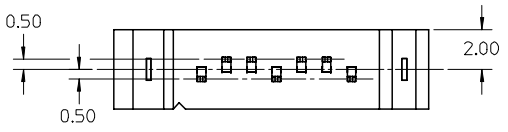
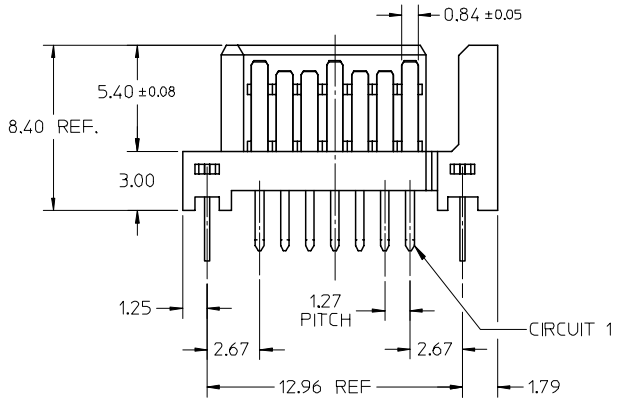
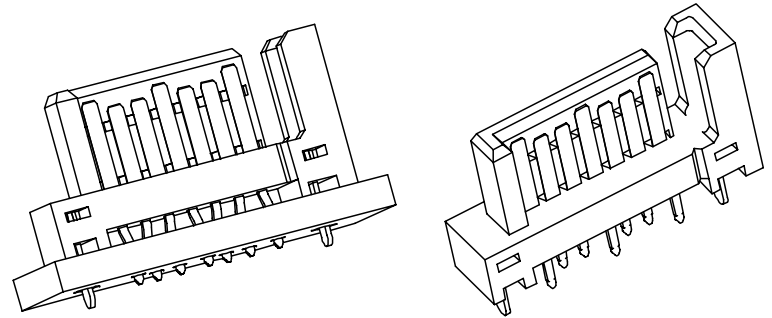
SECTION A-A



SECTION B-B



SECTION C-C



ADD PART NUMBER EC NO: SH2007-0895 DRWN: BCHENZ6 CHKD: JTIAN APPR: INCHEM 2007/06/15 2007/06/18 2007/06/22	QUALITY SYMBOLS ▽=0 ▽=0	GENERAL TOLERANCES (UNLESS SPECIFIED)		DIMENSION STYLE MM ONLY	SCALE 4:1	DESIGN UNITS METRIC	THIRD ANGLE PROJECTION		
		4 PLACES ± --- ± ---	3 PLACES ± --- ± ---	2 PLACES ± 0.15 ± ---	1 PLACE ± 0.25 ± ---	ANGLUAR ± 3 °	DRAWN BY GRATE MA	DATE 2004/02/02	TITLE 1.27MM HIGH SPEED PLUG VERTICAL TYPE
		DRAFT WHERE APPLICABLE MUST REMAIN WITHIN DIMENSIONS		SEE SHEET2	MOLEX INCORPORATED	DOCUMENT NO. SD-67491-001	SHEET NO. 1 OF 2		
		THIS DRAWING CONTAINS INFORMATION THAT IS PROPRIETARY TO MOLEX INCORPORATED AND SHOULD NOT BE USED WITHOUT WRITTEN PERMISSION							

9 8 7 6 5 4 3 2 1

	10	9	8	7	6	5	4	3	2	1		
	P/N	PLATING TYPE	DIM "A"	DIM "B"	COLOR	SOLDE AREA PLATING						
F	67491-0020	SEE NOTE 2(a)	2.05	2.57	BLACK	PURE TIN MATTE FINISH	▽ G					
	67491-0021	SEE NOTE 2(b)										
	67491-0022	SEE NOTE 2(c)										
	67491-0025	SEE NOTE 2(a)										
	67491-0026	SEE NOTE 2(b)	2.35									
67491-0027	SEE NOTE 2(c)											
E	67491-2020	SEE NOTE 2(a)	2.05	3.20	BLUE PANTONE NO. 293C ΔE<3							
	67491-2021	SEE NOTE 2(b)										
	67491-2022	SEE NOTE 2(c)										
	67491-2025	SEE NOTE 2(a)	2.35									
	67491-2026	SEE NOTE 2(b)										
67491-2027	SEE NOTE 2(c)											
D	67491-3010	SEE NOTE 2(a)	3.00	3.20	BLACK							
	67491-3011	SEE NOTE 2(b)										
	67491-3012	SEE NOTE 2(c)										
	67491-3110	SEE NOTE 2(a)	3.00									
	67491-3111	SEE NOTE 2(b)										
67491-3112	SEE NOTE 2(c)											

ADD PART NUMBER EC NO: SH2007-0895 DRWN: B. CHENZ6 CHKD: J. TIAN APPR: J. CHEN	2007/06/15 2007/06/18 2007/06/22	DESCRIPTION REV	QUALITY SYMBOLS ▽=0 ▽=0	GENERAL TOLERANCES (UNLESS SPECIFIED)	DIMENSION STYLE MM ONLY	SCALE 4:1	DESIGN UNITS METRIC	THIRD ANGLE PROJECTION
			4 PLACES ± --- ± --- 3 PLACES ± --- ± --- 2 PLACES ± 0.15 ± --- 1 PLACE ± 0.25 ± --- ANGULAR ± 3 °	mm INCH	DRAWN BY DATE GRATE MA 2004/02/02	TITLE 1.27MM HIGH SPEED PLUG VERTICAL TYPE		
			DRAFT WHERE APPLICABLE MUST REMAIN WITHIN DIMENSIONS	CHECKED BY DATE YA JUN 2004/02/02	APPROVED BY DATE SAM 2004/02/02			
			SEE TABLE	MATERIAL NO.	DOCUMENT NO. SD-67491-001	SHEET NO. 2 OF 2		
			SIZE A3				THIS DRAWING CONTAINS INFORMATION THAT IS PROPRIETARY TO MOLEX INCORPORATED AND SHOULD NOT BE USED WITHOUT WRITTEN PERMISSION	