



P/N: 24HST1041A-3B LF DATA SHEET

Feature



- Designed for long haul gigabit Ethernet 1000 BASE-T, full duplex applications.
- Supports 4 pairs of category UTP-5 cable.
- Cable interface for isolation and reject common mode emissions.
- Compliant with IEEE 802.3ab standard for 1000 BASE-T.
- Lead free for external pins.
- Operating temperature range: 0 to +70 .
- Storage temperature range: -25 to +125 .

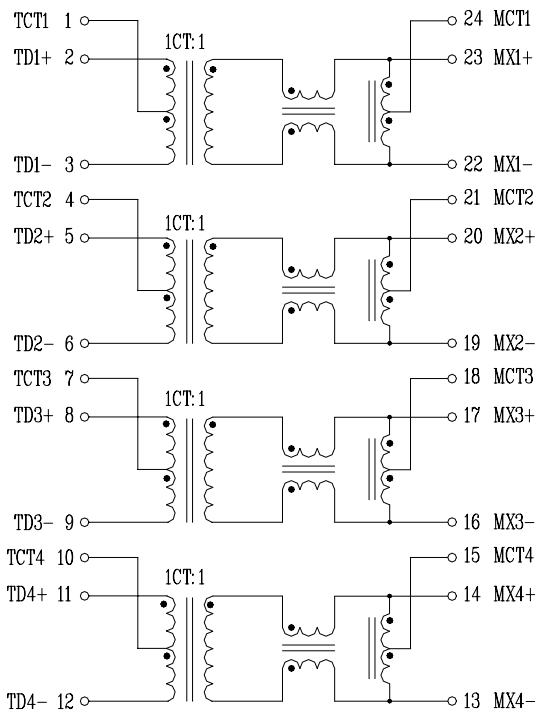
Electrical Specifications @ 25°C

Part Number	Turns Ratio (±5%)	OCL (uH Min) @ 100KHz/0.1V with 8mA DC Bias	Cross talk Attenuation (dB Min)			HI-POT (Vrms)
			30MHz	60MHz	100MHz	
24HST1041A-3B LF	1CT:1	350	-45	-40	-35	1500

Continue

Part Number	Insertion Loss (dB Max)	Return Loss (dB Min)@ Load 100					DCMR (dB Min)		
		1-100MHz	1-30MHz	40MHz	50MHz	60-80MHz	100MHz	30MHz	60MHz
24HST1041A-3B LF	-1.0	-18	-14.4	-13.1	-12	-10	-40	-35	-30

Schematic



Mechanical

