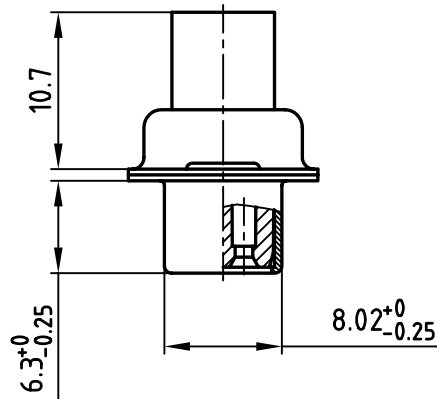
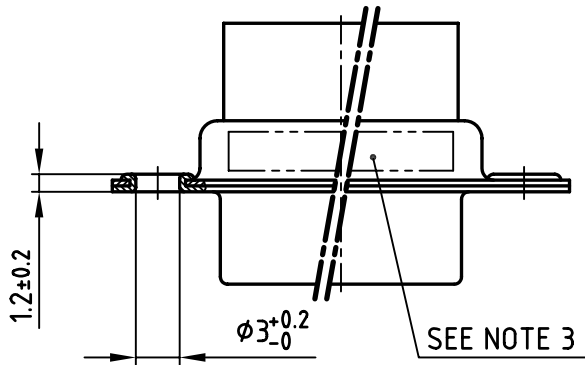
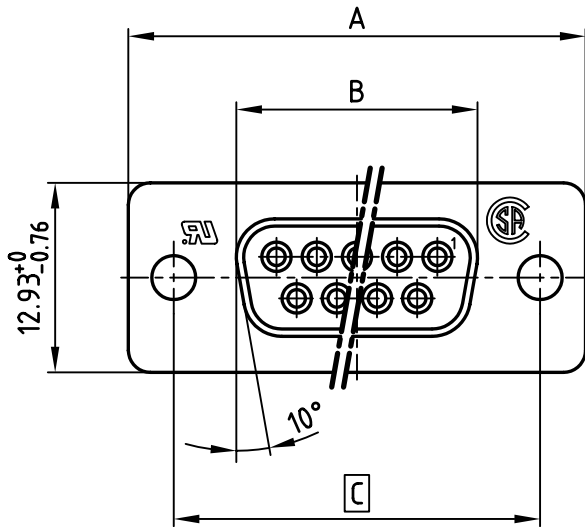


used for: D-SUB



No. of Pos.	A ^{-0.76}	B ^{-0.25}	C	Part-NO.
9	31.19	16.46	25.00 ^{+0.12} / _{-0.13}	164X11769X
15	39.52	24.79	33.30 ^{+0.15} / _{-0.1}	164X11779X
25	53.42	38.50	47.04 ±0.13	164X11789X
37	69.70	54.96	63.50 ±0.13	164X11799X

NOTES:

1. METALSHELLS: STEEL; min. 320µ" TIN
2. INSULATORS: PBT GF UL 94 V-0, BLACK
3. CONNECTOR IS PART MARKED: PART-NO. CONEC Y/WW
4. = CRITICAL DIMENSION: SPC



THIS DRAWING MAY NOT BE COPIED OR REPRODUCED IN ANY WAY, AND MAY NOT BE PASSED ON TO A THIRD PARTY WITHOUT WRITTEN PERMISSION.
 OWNERSHIP AND COPYRIGHT OF CONEC GmbH
 DO NOT ALTER CAD DRAWING BY HAND

tolerance					
2001	date	name	title: D-SUB Socket connector CRIMP STYLE 9-37pos.		
drawn	11.04.	Parei			
appd.	11.04.	E. Mickenbecker			
norm	DIN 41652				
d-old					
rev.	description	date	name	dwg no: AutoCAD 2000 16K1A177A	
				part no: SEE TABLE	



scale: 2:1	
material: SEE NOTES	
title: D-SUB Socket connector CRIMP STYLE 9-37pos.	
dwg no: AutoCAD 2000	DIN-A
16K1A177A	
part no: SEE TABLE	
sh: 1/1	