

PLEASE CHECK WWW.MOLEX.COM FOR LATEST PART INFORMATION

Part Number: [0912283001](#)
Status: **Active**
Description: 2.54mm (.100") Pitch ChipSIM Connector, 6 Circuits, SMT, With Ejector, With Pegs, Use With Card Holder 91236

Documents:

[3D Model](#) [Product Specification PS-99020-0071 \(PDF\)](#)
[Drawing \(PDF\)](#) [RoHS Certificate of Compliance \(PDF\)](#)

General

Product Family	Memory Card Sockets
Series	91228
Button Type	Push-Push
Component Type	Receptacle (Card)
Product Name	ChipSIM
Type	N/A

Physical

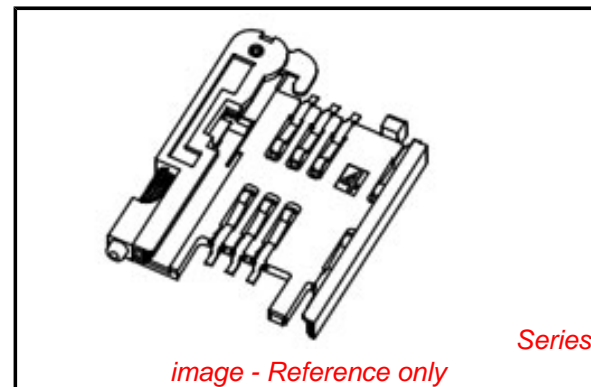
Card Detection Switch	Yes
Circuits (Loaded)	6
Circuits (maximum)	6
Color - Resin	Black, Natural
Durability (mating cycles max)	5,000
Ejector Button Side	Left
Entry Angle	Vertical (Top Entry)
Keying to Mating Part	Yes
Material - Metal	Phosphor Bronze, Piano wire, Stainless Steel
Material - Plating Mating	Gold
Material - Plating Termination	Tin
Material - Resin	High Temperature Thermoplastic
PCB Locator	No
PCB Mounting Side	Normal
PCB Retention	None
Packaging Type	Embossed Tape on Reel
Pitch - Mating Interface (in)	0.100 In, 0.288 In
Pitch - Mating Interface (mm)	2.54 mm, 7.32 mm
Pitch - Term. Interface (in)	0.100 In, 0.288 In
Pitch - Term. Interface (mm)	2.54 mm, 7.32 mm
Plating min: Mating (µin)	4
Plating min: Mating (µm)	0.1
Plating min: Termination (µin)	120
Plating min: Termination (µm)	3
Ports	1
Surface Mount Compatible (SMC)	Yes
Temperature Range - Operating	-30°C to +85°C
Termination Interface: Style	Surface Mount

Electrical

Current - Maximum per Contact	0.5A
Shielded	No
Voltage - Maximum	50V DC
Voltage Key	N/A

Solder Process Data

Duration at Max. Process Temperature (seconds)	5
Lead-free Process Capability	Reflow Capable (SMT only)



EU RoHS

**ELV and RoHS
Compliant**
REACH SVHC
 Not Reviewed
**Halogen-Free
Status**

China RoHS



**Need more information on product
environmental compliance?**

Email productcompliance@molex.com
 For a multiple part number RoHS Certificate of Compliance, [click here](#)

Please visit the [Contact Us](#) section for any non-product compliance questions.

Search Parts in this Series
[91228Series](#)

Max. Cycles at Max. Process Temperature	2
Process Temperature max. C	240

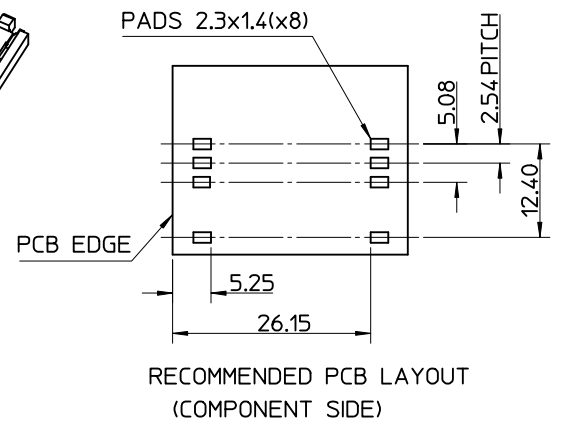
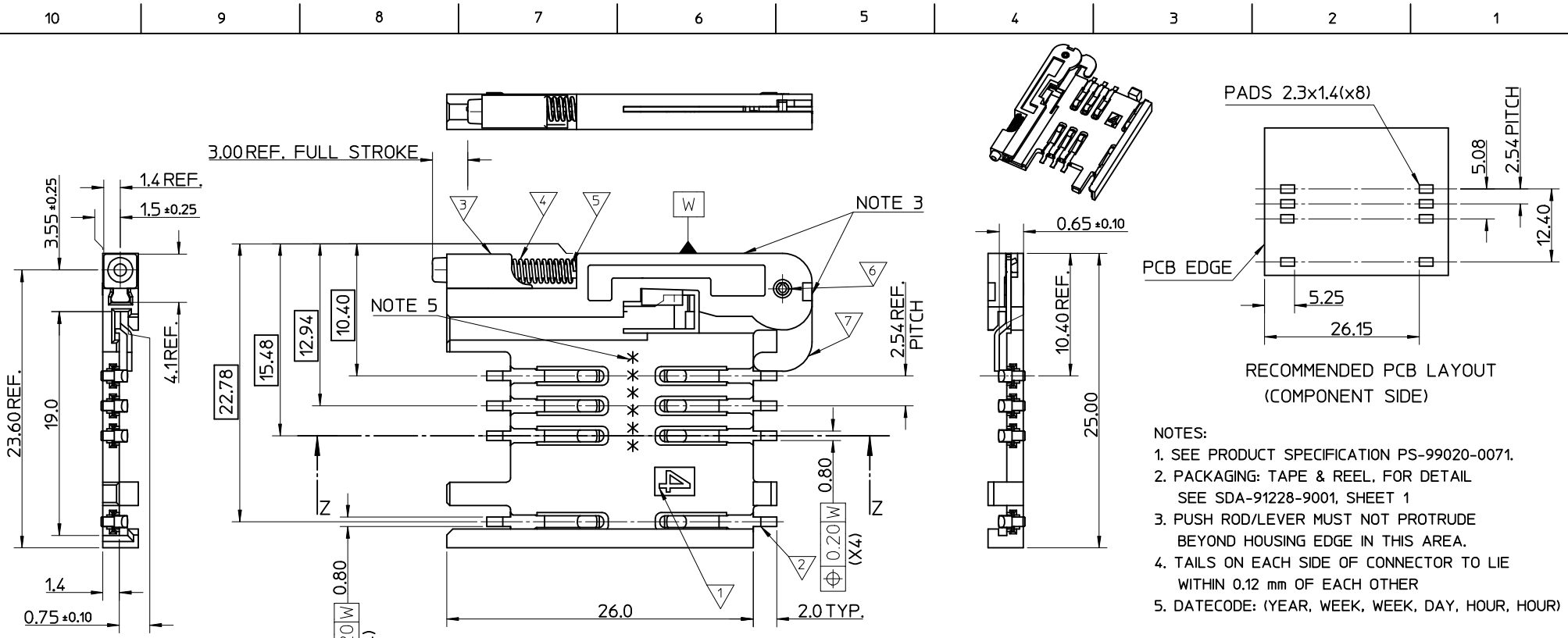
Material Info

Reference - Drawing Numbers

Product Specification	PS-99020-0071
Sales Drawing	SD-91228-001, SDA-91228-9001

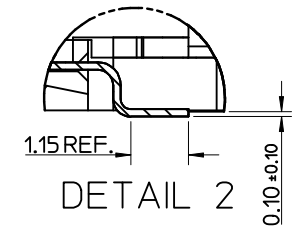
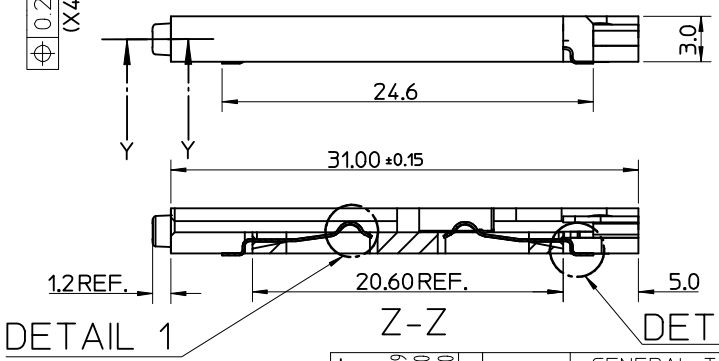
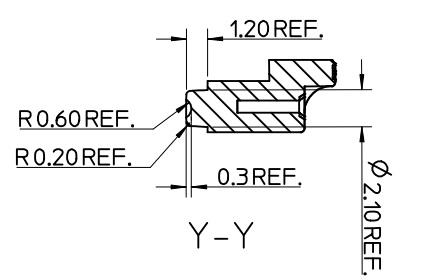
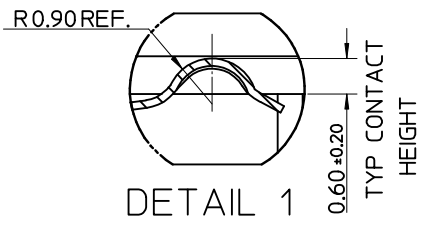
This document was generated on 04/13/2010

PLEASE CHECK WWW.MOLEX.COM FOR LATEST PART INFORMATION



- NOTES:
1. SEE PRODUCT SPECIFICATION PS-99020-0071.
 2. PACKAGING: TAPE & REEL, FOR DETAIL SEE SDA-91228-9001, SHEET 1
 3. PUSH ROD/LEVER MUST NOT PROTRUDE BEYOND HOUSING EDGE IN THIS AREA.
 4. TAILS ON EACH SIDE OF CONNECTOR TO LIE WITHIN 0.12 mm OF EACH OTHER
 5. DATECODE: (YEAR, WEEK, WEEK, DAY, HOUR, HOUR)

ITEM	COMPONENT	QTY	MATERIAL
▽	HOUSING	1	LIQUID CRYSTAL POLYMER (LCP) 30% GLASS FILL, JL94 V-O, COLOUR: BLACK
▽	TERMINAL	8	0.15 PHOSPHOR BRONZE, 0.14µm MIN Au OVER Pd/Ni IN CONTACT AREA 2.54µm MIN Sn ON SMT TAILS
▽	PUSH BUTTON	1	GF POLYAMIDE 6T/66, YELLOW
▽	COIL SPRING	1	0.25 REF THK STAINLESS STEEL
▽	PUSH ROD	1	0.4 REF THK STAINLESS STEEL
▽	C-PIN	1	STEEL
▽	LEVER	1	0.4 REF THK STAINLESS STEEL



MOD TO BUTTON MAT
EC NO: E2009-0597
DRW: F DUGGAN
CHKD: 2009/07/30
APPR: EFOLAN
2009/07/30

QUALITY SYMBOLS
▽ = 0
◻ = 0

GENERAL TOLERANCES (UNLESS SPECIFIED)

	mm	INCH
4 PLACES	± ---	± ---
3 PLACES	± ---	± ---
2 PLACES	± 0.05	± ---
1 PLACE	± 0.1	± ---

ANGULAR ± 2 °

DRAFT WHERE APPLICABLE MUST REMAIN WITHIN DIMENSIONS

DIMENSION STYLE
MM ONLY

SCALE
5:1

DESIGN UNITS
METRIC

THIRD ANGLE PROJECTION

DRAWN BY
RFORREY

DATE
2006/11/27

CHECKED BY
FDUGGAN

DATE
2006/11/27

APPROVED BY
EFOLAN

DATE
2006/11/27

MATERIAL NO.
912283001

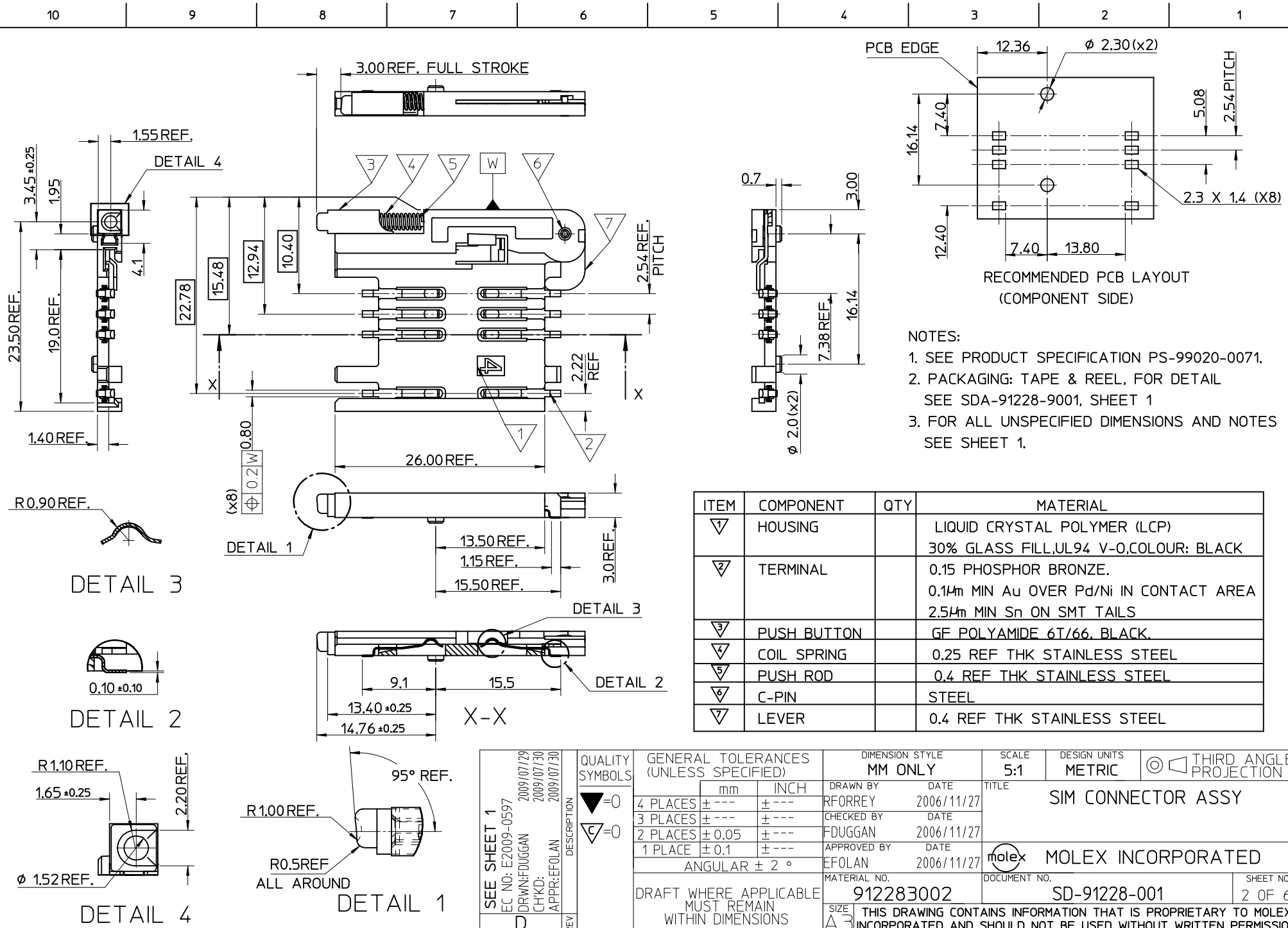
TITLE
SIM CONNECTOR ASSY

MOLEX INCORPORATED

DOCUMENT NO.
SD-91228-001

SHEET NO.
1 OF 6

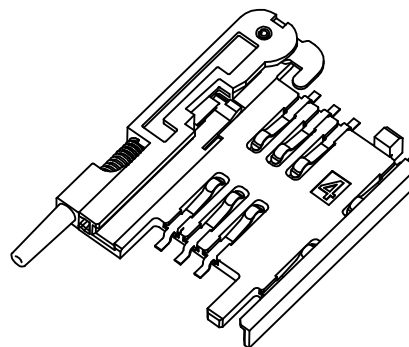
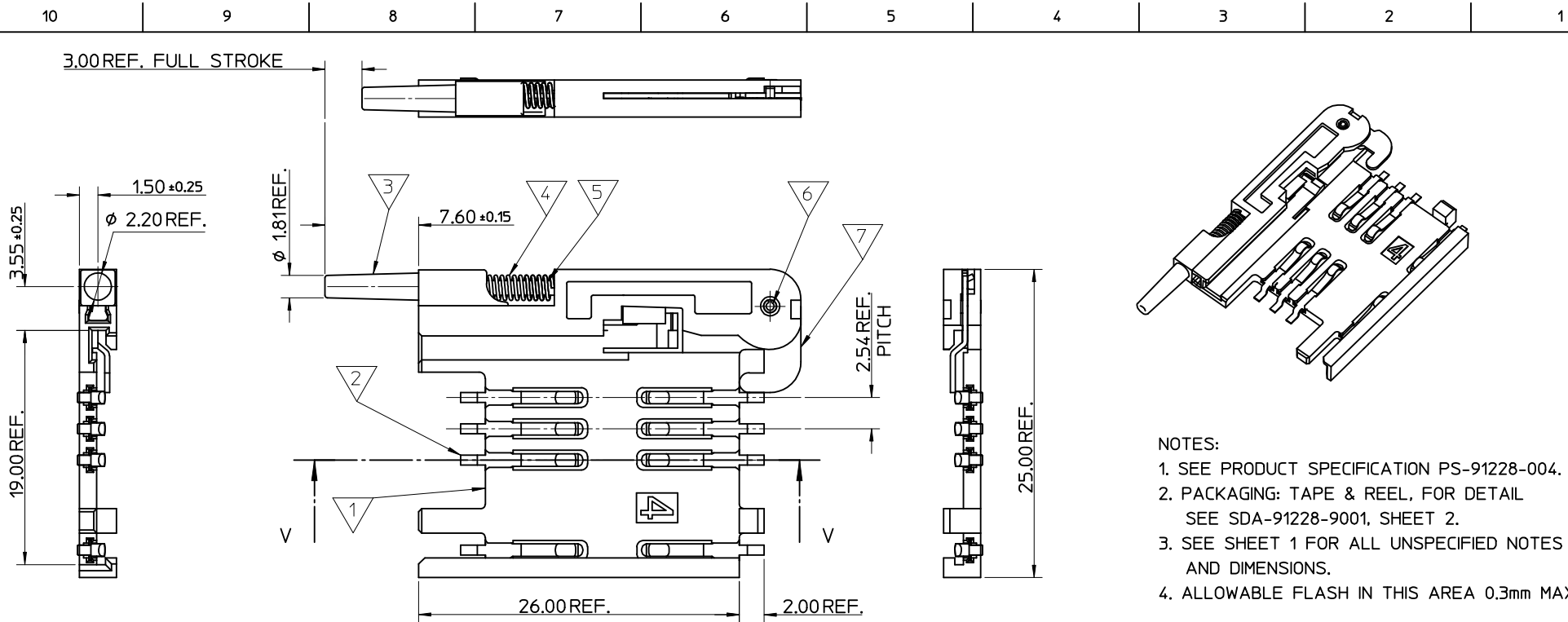
THIS DRAWING CONTAINS INFORMATION THAT IS PROPRIETARY TO MOLEX INCORPORATED AND SHOULD NOT BE USED WITHOUT WRITTEN PERMISSION



- NOTES:
1. SEE PRODUCT SPECIFICATION PS-99020-0071.
 2. PACKAGING: TAPE & REEL, FOR DETAIL SEE SDA-91228-9001, SHEET 1
 3. FOR ALL UNSPECIFIED DIMENSIONS AND NOTES SEE SHEET 1.

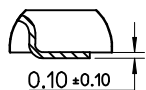
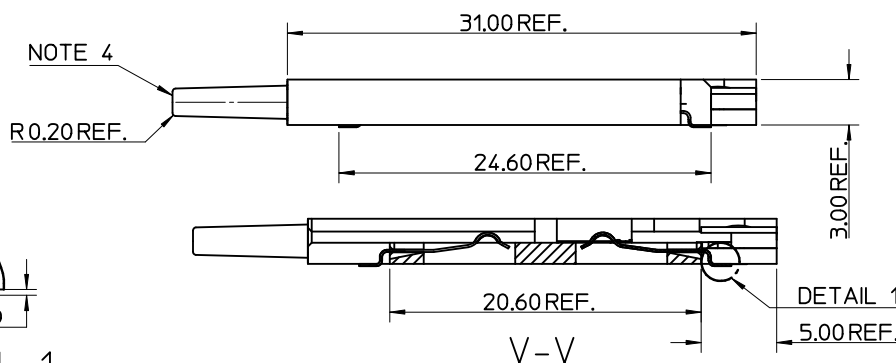
ITEM	COMPONENT	QTY	MATERIAL
▽	HOUSING		LIQUID CRYSTAL POLYMER (LCP) 30% GLASS FILL, UL94 V-0, COLOUR: BLACK
▽	TERMINAL		0.15 PHOSPHOR BRONZE. 0.14mm MIN Au OVER Pd/Ni IN CONTACT AREA 2.54mm MIN Sn ON SMT TAILS
▽	PUSH BUTTON		GF POLYAMIDE 6T/66, BLACK.
▽	COIL SPRING		0.25 REF THK STAINLESS STEEL
▽	PUSH ROD		0.4 REF THK STAINLESS STEEL
▽	C-PIN		STEEL
▽	LEVER		0.4 REF THK STAINLESS STEEL

SEE SHEET 1 EC NO: E2009-0597 DRW: F. DUGGAN 2009/07/29 CHKD: 2009/07/30 APPR: E. FOLAN 2009/07/30	QUALITY SYMBOLS ▽ = 0 ▽ = 0	GENERAL TOLERANCES (UNLESS SPECIFIED) mm INCH 4 PLACES ± --- ± --- 3 PLACES ± --- ± --- 2 PLACES ± 0.05 ± --- 1 PLACE ± 0.1 ± --- ANGULAR ± 2°	DIMENSION STYLE MM ONLY DRAWN BY: RFORREY DATE: 2006/11/27 CHECKED BY: DATE: APPROVED BY: F. DUGGAN DATE: 2006/11/27 MATERIAL NO. DATE: 2006/11/27	SCALE 5:1 DESIGN UNITS METRIC THIRD ANGLE PROJECTION	TITLE SIM CONNECTOR ASSY	
	DRAFT WHERE APPLICABLE MUST REMAIN WITHIN DIMENSIONS	MATERIAL NO. 912283002	DOCUMENT NO. SD-91228-001	SHEET NO. 2 OF 6		
	SIZE A3		THIS DRAWING CONTAINS INFORMATION THAT IS PROPRIETARY TO MOLEX INCORPORATED AND SHOULD NOT BE USED WITHOUT WRITTEN PERMISSION			
	MOLEX INCORPORATED					



NOTES:

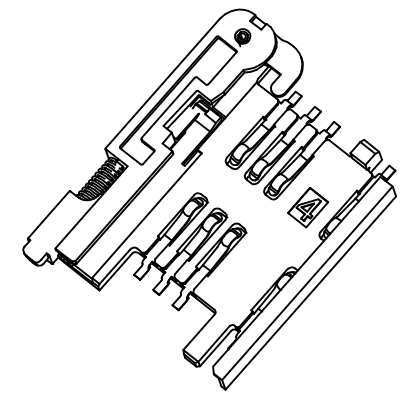
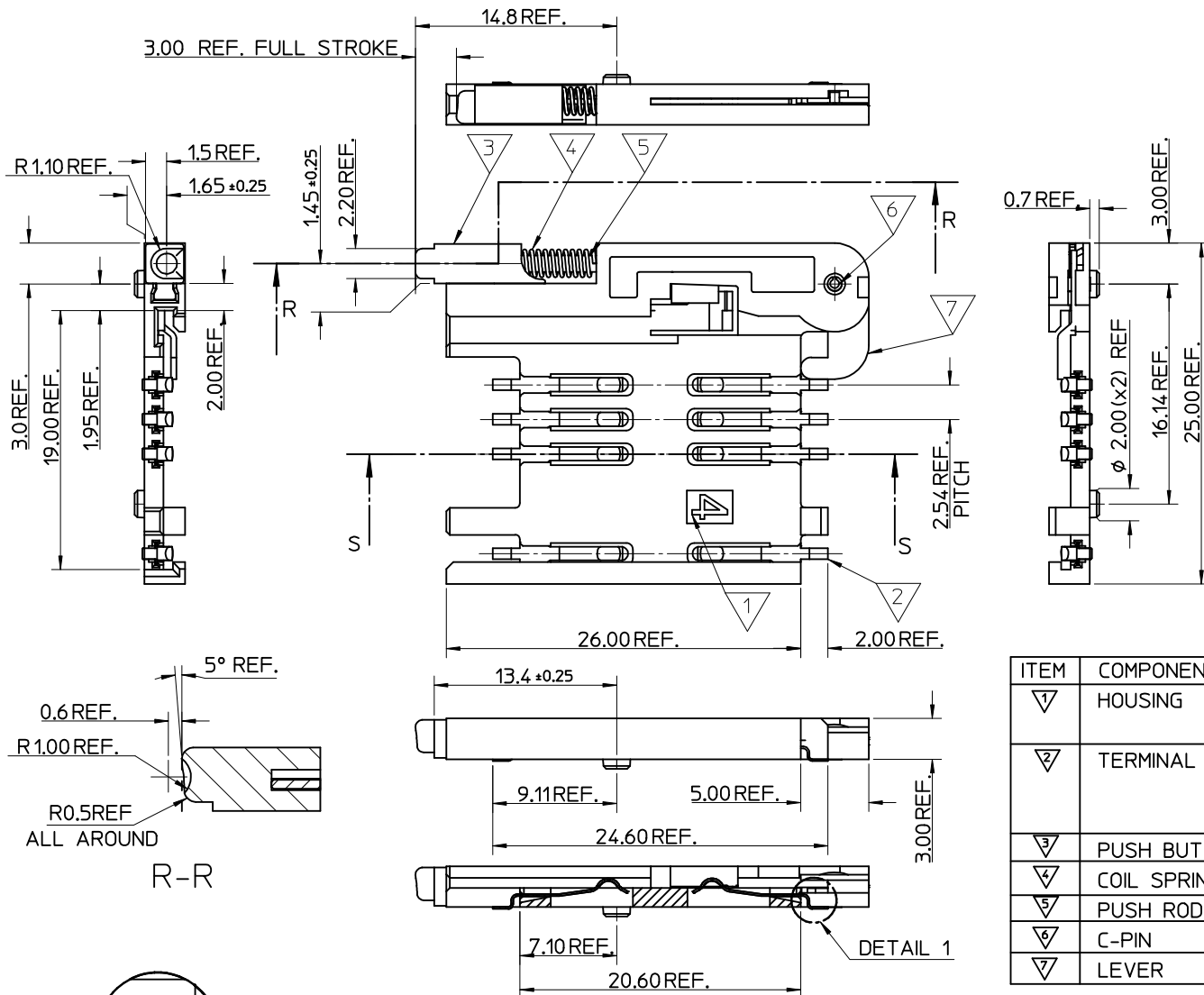
1. SEE PRODUCT SPECIFICATION PS-91228-004.
2. PACKAGING: TAPE & REEL, FOR DETAIL SEE SDA-91228-9001, SHEET 2.
3. SEE SHEET 1 FOR ALL UNSPECIFIED NOTES AND DIMENSIONS.
4. ALLOWABLE FLASH IN THIS AREA 0.3mm MAX.



DETAIL 1

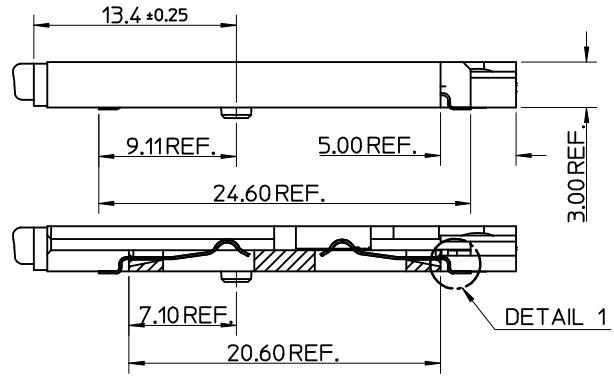
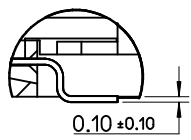
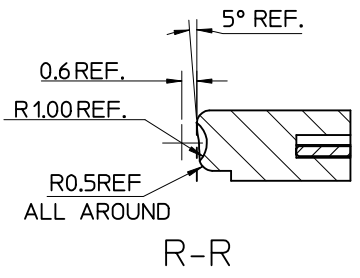
ITEM	COMPONENT	QTY	MATERIAL
1	HOUSING	1	LIQUID CRYSTAL POLYMER (LCP) 30% GLASS FILL, UL94 V-0, COLOUR: BLACK
2	TERMINAL	8	0.15 PHOSPHOR BRONZE. 0.14μm MIN Au OVER Pd/Ni IN CONTACT AREA 2.54μm MIN Sn ON SMT TAILS
3	PUSH BUTTON	1	GF POLYAMIDE 6T/66, NATURAL
4	COIL SPRING	1	0.25 REF THK STAINLESS STEEL
5	PUSH ROD	1	0.4 REF THK STAINLESS STEEL
6	C-PIN	1	STEEL
7	LEVER	1	0.4 REF THK STAINLESS STEEL

SEE SHEET 1 EC NO: E2009-0597 DRWN: FDUGGAN CHKD: APPR: EFOLAN	2009/07/29 2009/07/30 2009/07/30	DESCRIPTION REV	QUALITY SYMBOLS	GENERAL TOLERANCES (UNLESS SPECIFIED)	DIMENSION STYLE	SCALE	DESIGN UNITS	THIRD ANGLE PROJECTION	
			$\nabla = 0$ $\square = 0$	mm INCH 4 PLACES ± --- ± --- 3 PLACES ± --- ± --- 2 PLACES ± 0.05 ± --- 1 PLACE ± 0.1 ± ---	MM ONLY	5:1	METRIC	TITLE	
				ANGULAR ± 2 °	DRAWN BY	DATE	SIM CONNECTOR ASSY		
					FORREY	2006/11/27	MOLEX INCORPORATED		
				CHECKED BY	DATE	DOCUMENT NO.		SHEET NO.	
				FDUGGAN	2006/11/27	912283005		SD-91228-001	3 OF 6
				APPROVED BY	DATE	THIS DRAWING CONTAINS INFORMATION THAT IS PROPRIETARY TO MOLEX INCORPORATED AND SHOULD NOT BE USED WITHOUT WRITTEN PERMISSION			
				EFOLAN	2006/11/27				



- NOTES:
1. SEE PRODUCT SPECIFICATION PS-99020-0071.
 2. PACKAGING: TAPE & REEL, FOR DETAIL SEE SDA-91228-9001, SHEET 1.
 3. SEE SHEET 1 FOR ALL UNSPECIFIED NOTES AND DIMENSIONS.

ITEM	COMPONENT	QTY	MATERIAL
▽	HOUSING	1	LIQUID CRYSTAL POLYMER (LCP) 30% GLASS FILL, UL94 V-0, COLOUR: BLACK
▽	TERMINAL	8	0.15 PHOSPHOR BRONZE. 0.14μm MIN Au OVER Pd/Ni IN CONTACT AREA 2.54μm MIN Sn ON SMT TAILS
▽	PUSH BUTTON	1	GF POLYAMIDE 6T/66, BLUE
▽	COIL SPRING	1	0.25 REF THK STAINLESS STEEL
▽	PUSH ROD	1	0.4 REF THK STAINLESS STEEL
▽	C-PIN	1	STEEL
▽	LEVER	1	0.4 REF THK STAINLESS STEEL



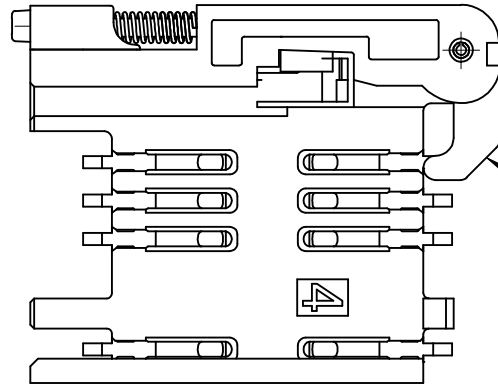
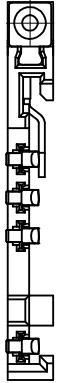
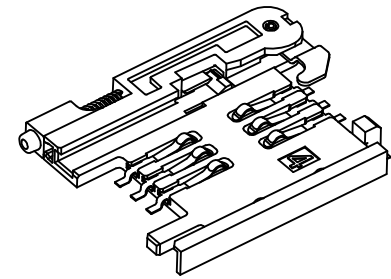
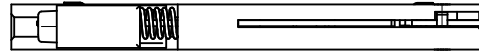
SEE SHEET 1	DESCRIPTION
EC NO: E2009-0597	2009/07/29
DRWN: FDUGGAN	2009/07/29
CHKD:	
APPR: EFOLAN	2009/07/30
REV	

QUALITY SYMBOLS	▽ = 0
	◻ = 0

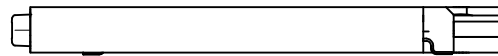
GENERAL TOLERANCES (UNLESS SPECIFIED)	mm	INCH
	± 0.1	± 0.004
DRAFT WHERE APPLICABLE MUST REMAIN WITHIN DIMENSIONS	mm	INCH
	± 0.05	± 0.002
ANGULAR ± 2°		

DIMENSION STYLE		SCALE		DESIGN UNITS	
MM ONLY		5:1		METRIC	
DRAWN BY	DATE	TITLE			
RFORREY	2006/11/27	SIM CONNECTOR ASSY			
CHECKED BY	DATE				
FDUGGAN	2006/11/27				
APPROVED BY	DATE				
EFOLAN	2006/11/27				
MATERIAL NO.		DOCUMENT NO.		SHEET NO.	
912283007		SD-91228-001		5 OF 6	

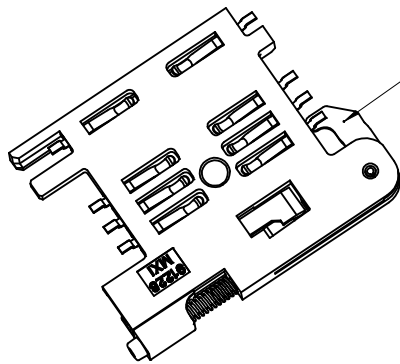
MATERIAL NO.		DOCUMENT NO.		SHEET NO.	
912283007		SD-91228-001		5 OF 6	
THIS DRAWING CONTAINS INFORMATION THAT IS PROPRIETARY TO MOLEX INCORPORATED AND SHOULD NOT BE USED WITHOUT WRITTEN PERMISSION					



NOTE 4



NOTE 6
BLACK COLOUR
THIS FACE

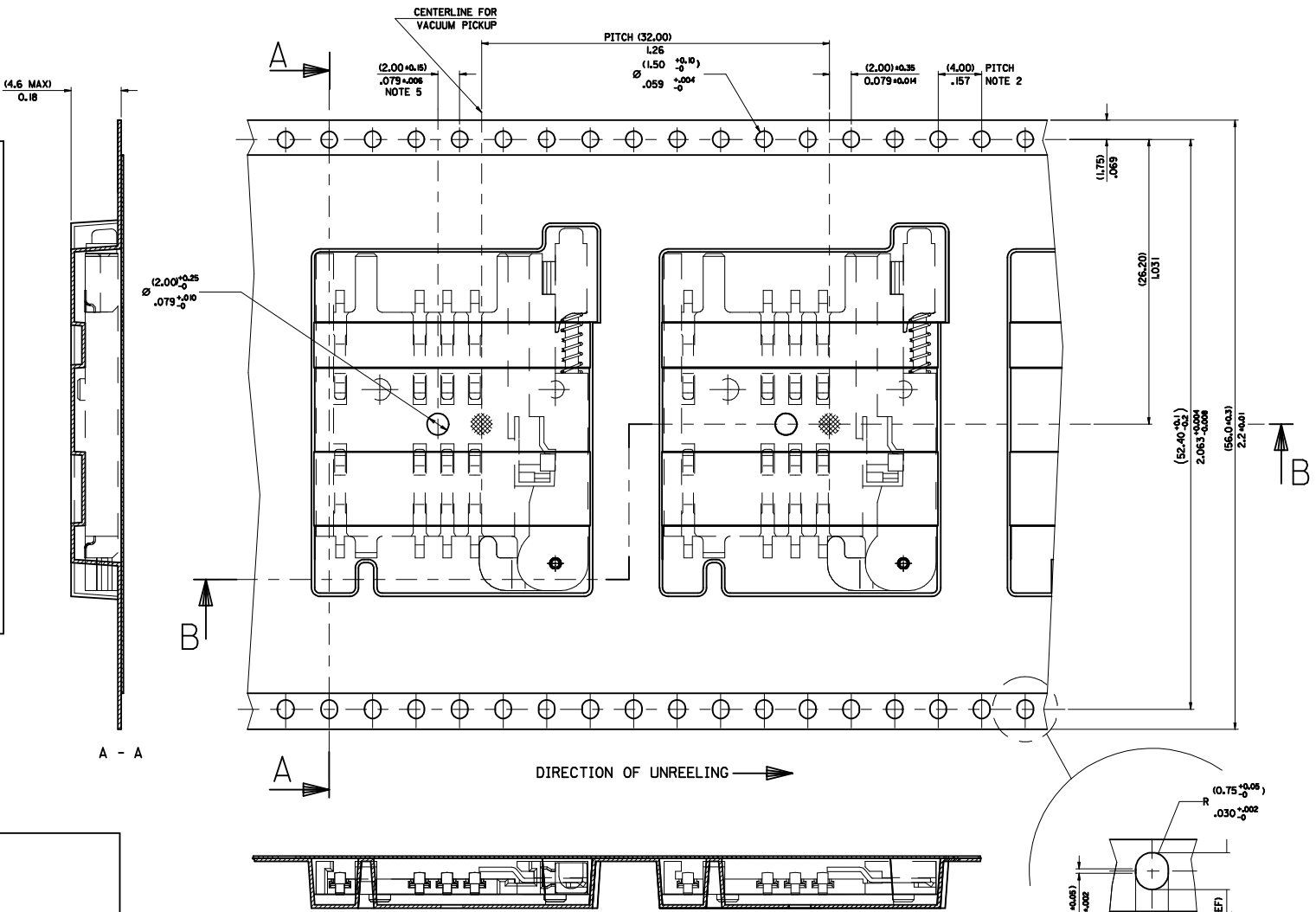
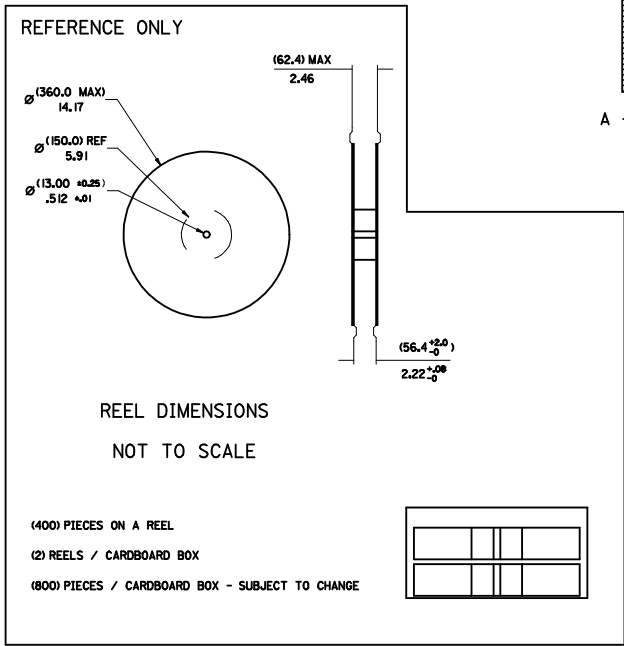
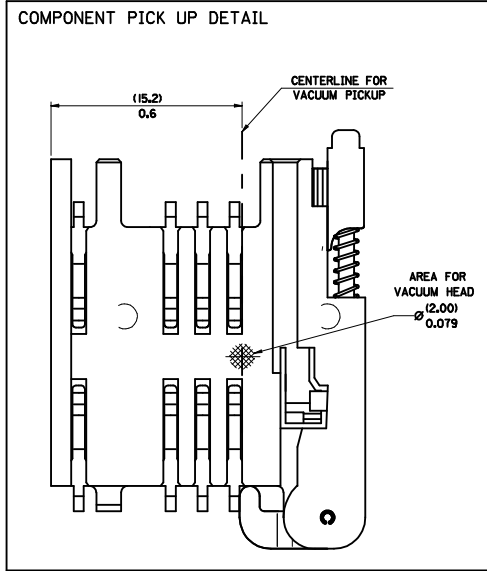


NOTES:

1. SEE PRODUCT SPECIFICATION PS-91228-016
2. PACKAGING: TAPE & REEL, FOR DETAIL SEE SDA-91228-9001, SHEET 1
3. FOR ALL UNSPECIFIED DIMENSIONS AND NOTES SEE SHEET 1.
4. 5mm EJECTOR LEVER
5. CARD HOLDER EJECTION DISTANCE: 5.0±0.3mm
6. LEVER FACE TO BE COLOURED BLACK WITH ALCOHOL BASED INK.

SEE SHEET 1 EC NO: E2009-0597 DRWN:FDUGGAN 2009/07/29 CHKD: 2009/07/30 APPR:EFOLAN 2009/07/30	DESCRIPTION REV	QUALITY SYMBOLS	GENERAL TOLERANCES (UNLESS SPECIFIED)	DIMENSION STYLE	SCALE	DESIGN UNITS	THIRD ANGLE PROJECTION
		▼=0 □=0	mm INCH	MM ONLY	3:1	METRIC	
			4 PLACES ± --- ± ---	DRAWN BY DATE			TITLE
			3 PLACES ± --- ± ---	RFORREY 2006/11/27			SIM CONNECTOR ASSY
	2 PLACES ± 0.05 ± ---	CHECKED BY DATE					
	1 PLACE ± 0.1 ± ---	FDUGGAN 2006/11/27					
	ANGULAR ± 2 °	APPROVED BY DATE					
		EFOLAN 2006/11/27					
		MATERIAL NO.					
		912283016					
		DRAFT WHERE APPLICABLE MUST REMAIN WITHIN DIMENSIONS					
		SIZE					
		A3					
		THIS DRAWING CONTAINS INFORMATION THAT IS PROPRIETARY TO MOLEX INCORPORATED AND SHOULD NOT BE USED WITHOUT WRITTEN PERMISSION					

PART NO	DESCRIPTION
91228-0001 & 91228-3001	SIM CONNECTOR WITHOUT PEGS
91228-0002 & 91228-3002	SIM CONNECTOR WITH PEGS
91228-0012 & 91228-3012	SIM CONNECTOR WITH PEGS
91228-0007 & 91228-3007	SIM CONNECTOR WITH PEGS



- NOTES:
- 1) MATERIAL :
CARRIER TAPE : VOLUME CONDUCTIVE POLYSTYRENE, 0.40 REF THICK, BLACK
COVER TAPE : COLD SEAL POLYESTER, 0.08 REF THICK TRANSPARENT
 - 2) PITCH TOLERANCE OVER ANY 10 PITCHES ± 0.2 MM
 - 3) PEEL FORCE OF THE COVER TAPE IS 0.1 N TO 1.0 N
AT A MAXIMUM REEL SPEED OF 300 MM/MIN ± 10%
 - 4) PACKAGING SPEC, PK-91228-002
 - 5) REFERENCE TO IEC 286-3 EXCEPT WHERE NOTED

MOD REV. LEVELS EC NO: E2009-0200 DRAWN BY: G CHECKED BY: G APPROVED BY: G	QUALITY SYMBOLS ▽=0 ▽=0	GENERAL TOLERANCES (UNLESS SPECIFIED)		DIMENSION STYLE		SCALE	DESIGN UNITS	THIRD ANGLE PROJECTION
		m	INCH	MM/IN		1:1	METRIC	
DESCRIPTION	4 PLACES	±	---	±	---	DRAWN BY	DATE	TITLE
	3 PLACES	±	---	±	---	DMAHER	2006/12/07	BLISTER PACKAGING SIM CARD PCB HOUSING
MATERIAL NO.	2 PLACES	±	0.10	±	---	CHECKED BY	DATE	MOLEX INCORPORATED
	1 PLACE	±	0.20	±	---	FUGGAN	2006/12/07	
DRAFT WHERE APPLICABLE MUST REMAIN WITHIN DIMENSIONS		ANGULAR ± 2 °		SEE CHART		DOCUMENT NO.		SHEET NO.
THIS DRAWING CONTAINS INFORMATION THAT IS PROPRIETARY TO MOLEX INCORPORATED AND SHOULD NOT BE USED WITHOUT WRITTEN PERMISSION						SDA-91228-9001		

4	D
3	C
2	C
1	B