

PLEASE CHECK WWW.MOLEX.COM FOR LATEST PART INFORMATION

Part Number: [0850170074](#)
Status: **Active**
Overview: [din_41612](#)
Description: 2.54mm (.100") Pitch DIN 41612/EIC 603-2 Mixed Layout Connector, Male Style M(Hybrid type), Inverse Press-Fit, 0.6µm (24µ") Gold (Au) Selective, 48 Circuits, Lead Free

Documents:

[3D Model](#) [Product Specification PS-85013-0002 \(PDF\)](#)
[Drawing \(PDF\)](#) [RoHS Certificate of Compliance \(PDF\)](#)

Agency Certification

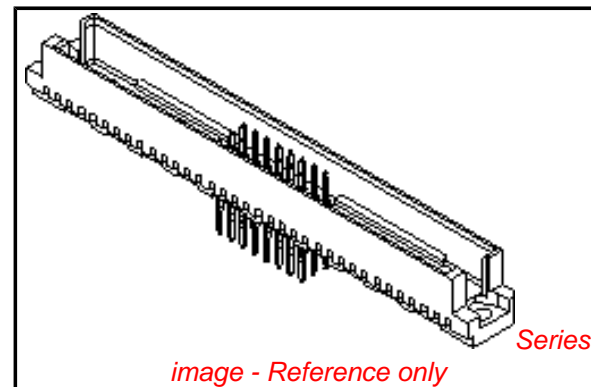
CSA LR19980
 UL E29179

General

Product Family Backplane Connectors
 Series [85017](#)
 Application Backplane
 Comments Mixed Layout
 Component Type PCB Header
 Overview [din_41612](#)
 Product Name IEC 603-2/DIN 41612
 Style M

Physical

Circuits (Loaded) 48
 Circuits (maximum) 48
 Circuits Detail 42 Signal , 6 Power
 Color - Resin Gray
 Durability (mating cycles max) 400
 First Mate / Last Break No
 Flammability 94V-0
 Guide to Mating Part No
 Keying to Mating Part Yes
 Material - Metal Phosphor Bronze
 Material - Plating Mating Gold
 Material - Plating Termination Tin
 Material - Resin Polyester
 Number of Columns 16
 Number of Pairs Open Pin Field
 Number of Rows 3
 Orientation Vertical
 PC Tail Length (in) 0.228 In
 PC Tail Length (mm) 5.80 mm
 PCB Locator No
 PCB Retention Yes
 PCB Thickness Recommended (in) 0.062 In
 PCB Thickness Recommended (mm) 1.60 mm
 Packaging Type Tray
 Pitch - Mating Interface (in) 0.100 In
 Pitch - Mating Interface (mm) 2.54 mm
 Pitch - Term. Interface (in) 0.100 In
 Pitch - Term. Interface (mm) 2.54 mm
 Plating min: Mating (µin) 24
 Plating min: Mating (µm) 0.6



EU RoHS

ELV and RoHS Compliant
REACH SVHC
 Not Reviewed
Halogen-Free Status
 Not Reviewed

China RoHS



Need more information on product environmental compliance?

Email productcompliance@molex.com
 For a multiple part number RoHS Certificate of Compliance, [click here](#)

Please visit the [Contact Us](#) section for any non-product compliance questions.

Search Parts in this Series

[85017Series](#)

Mates With

[85048](#) Straight Female Style M Receptacle.
[85056](#) Straight Female Style M "inverse" Receptacle

Use With

[85023](#) DIN 41612 Coaxial Contact

Plating min: Termination (μ in)	16
Plating min: Termination (μ m)	0.4
Polarized to PCB	No
Stackable	Yes
Surface Mount Compatible (SMC)	No
Temperature Range - Operating	-55°C to +125°C
Termination Interface: Style	Through Hole - Compliant Pin

Electrical

Current - Maximum per Contact	1.5A
Data Rate	622.0 Mbps
Voltage - Maximum	250V AC (RMS)

Material Info

Reference - Drawing Numbers

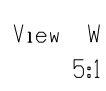
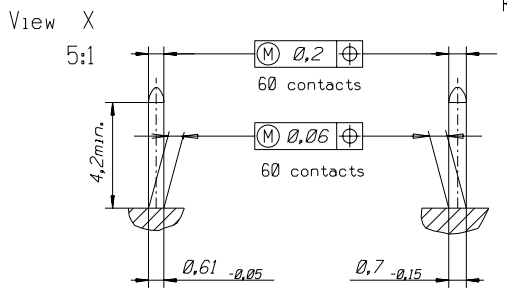
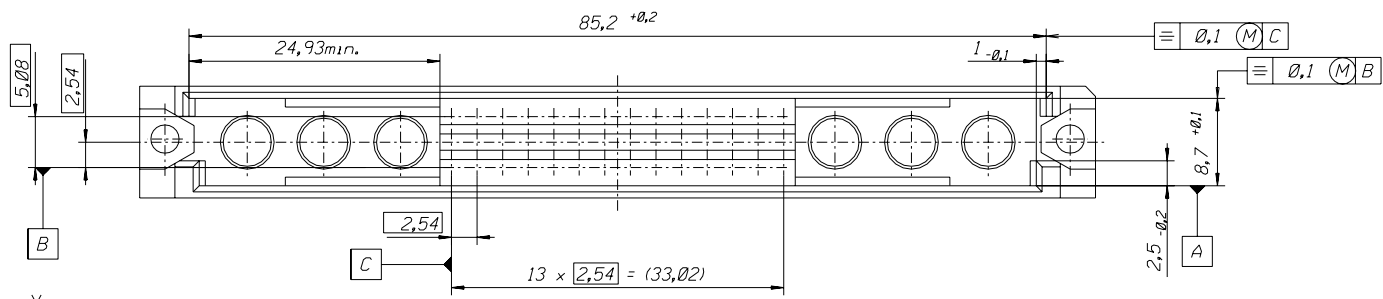
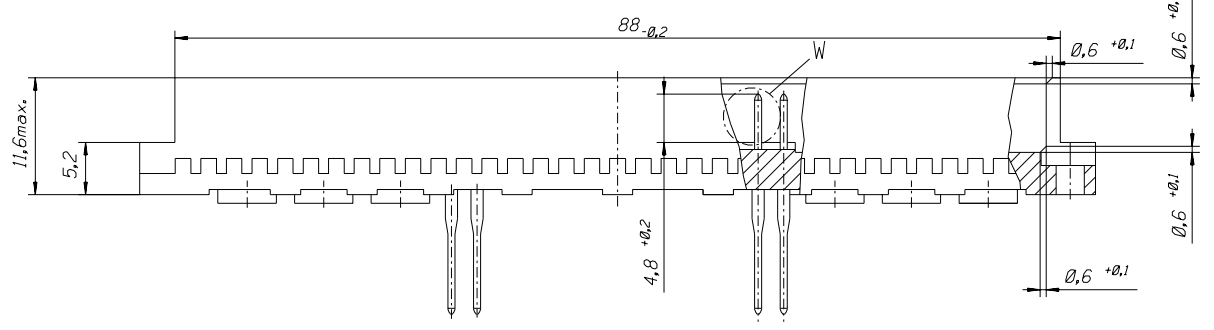
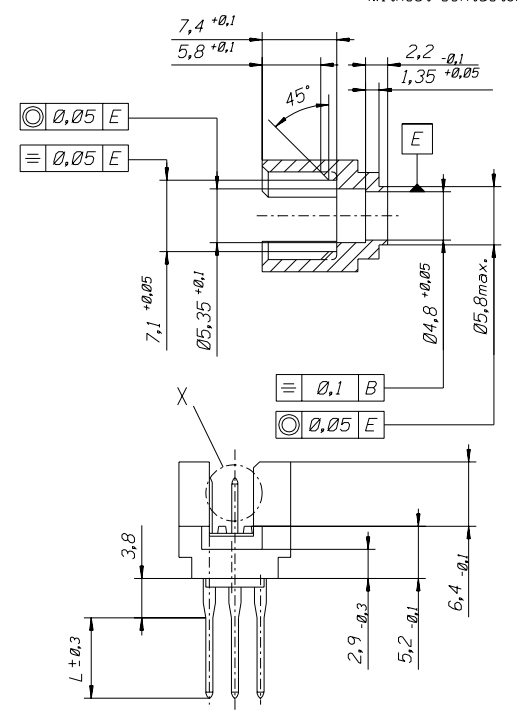
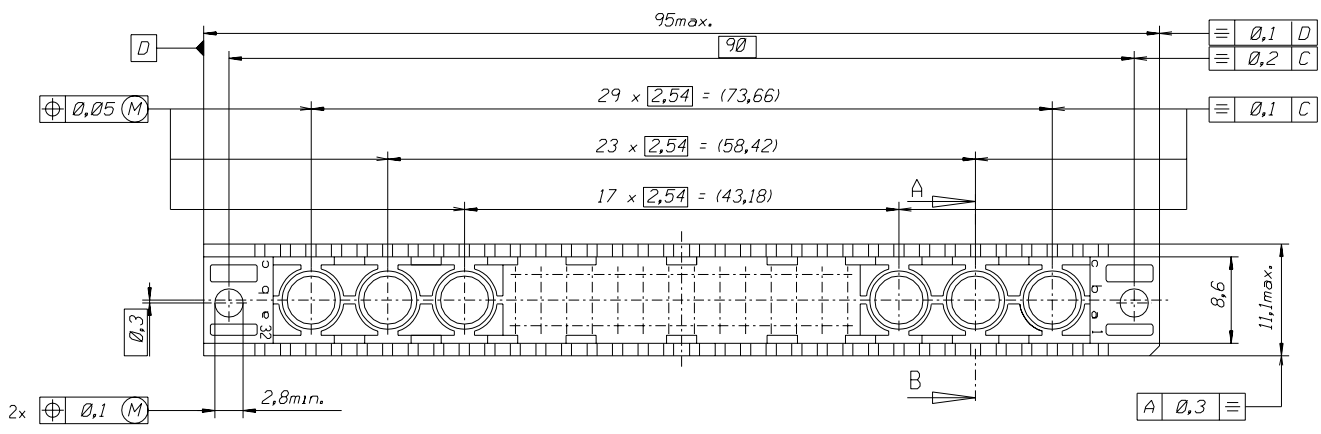
Product Specification	PS-85013-0002
Sales Drawing	603-6093-24, SD-85017-004

This document was generated on 05/17/2010

PLEASE CHECK WWW.MOLEX.COM FOR LATEST PART INFORMATION

PART NO.
DWG. NO.

Section A-B
(without contacts)



FIRST ANGLE PROJECTION		REVISE ONLY ON CAD SYSTEM		SH.	REV.
UNLESS OTHERWISE SPECIFIED TOLERANCES: ANGULAR $\pm 2'$		DRWG BY	SIGN	CAD/CAM PROJECT NAME	
INCH		Ca		60393241	
METRIC		CHK'D BY	SIGN	THIS DRAWING CONTAINS INFORMATION THAT IS PROPRIETARY TO MOLEX INC. & SHOULD NOT BE USED WITHOUT WRITTEN PERMISSION	
3 PLACE \pm .		KN		dgn	
2 PLACE \pm .		APP'D BY	SIGN	TITLE	
1 PLACE \pm .				42 pos. Male connector DIN 41612 style M (C-Pin) inverted / Dimensions	
DRAFT WHERE APPLICABLE MUST REMAIN WITHIN DIMENSIONS					
DESIGN DIMENSION		SCALE		SHEET NO. DATE	
<input type="checkbox"/> MM		2:1		1 OF 3 93/05/04	
<input type="checkbox"/> IN.				MOLEX EUROPE	
EQUIVALENT DIMENSION				PART NO.	
<input type="checkbox"/> MM				see sh. no. 2 of 3	
<input type="checkbox"/> IN.				DWG NO.	
IF TWO DIMENSIONS ARE SHOWN THE UPPER IS THE DESIGN DIMENSION, LOWER IS SECONDARY				1063-6093-24	
				SIZE	
				B	