

**PLEASE CHECK WWW.MOLEX.COM FOR LATEST PART INFORMATION**

**Part Number:** [0520443845](#)  
**Status:** **Active**  
**Overview:**  
**Description:** 1.25mm (.049") Right Angle, Non-ZIF, Top Contact Style Receptacle, 38 Circuits

**Agency Certification**

UL E29179

**General**

Product Family FFC/FPC Connectors  
 Series 52044  
 Overview ffc\_fpc\_throughhole  
 Product Name N/A

**Physical**

Circuits (Loaded) 38  
 Contact Position Top  
 Entry Angle 90° Angle  
 Flammability 94V-0  
 Mated Height (in) 0.201 In  
 Mated Height (mm) 5.10 mm  
 Number of Rows 1  
 Orientation Right Angle  
 PC Tail Length (in) 0.138 In  
 PC Tail Length (mm) 3.50 mm  
 PCB Retention None  
 Packaging Type Tray  
 Pitch - Mating Interface (in) 0.049 In  
 Pitch - Mating Interface (mm) 1.25 mm  
 Polarized to PCB Yes  
 Stackable No  
 Surface Mount Compatible (SMC) No  
 Temperature Range - Operating -40°C to +85°C  
 Termination Interface: Style Through Hole  
 Wire/Cable Type FFC/FPC

**Electrical**

Current - Maximum per Contact 0.5A, 1A  
 Voltage - Maximum 200V

**Material Info**

**Reference - Drawing Numbers**

Packaging Specification SPK-52044  
 Product Specification PS-52044-002, RPS-52044-003, RPS-52044-005,  
 RPS-52044-006, RPS-52044-008  
 Sales Drawing SD-52044-\*\*45

**EU RoHS**

**ELV and RoHS  
 Compliant  
 REACH SVHC  
 Contains SVHC: No  
 Halogen-Free  
 Status**

**China RoHS**



**Not Reviewed**

**Need more information on product  
 environmental compliance?**

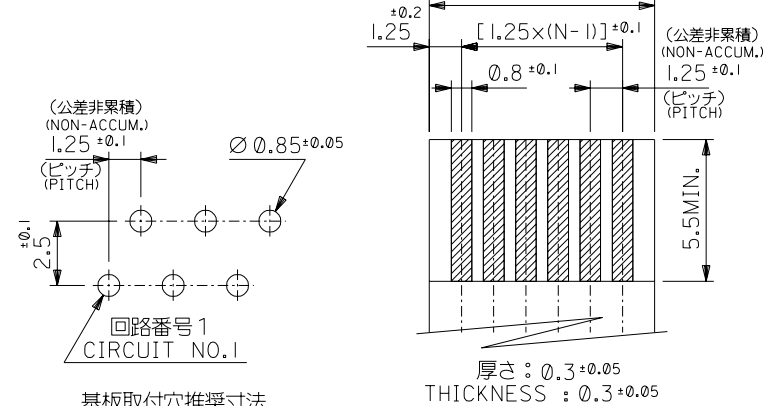
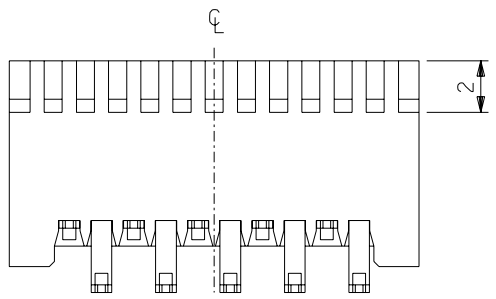
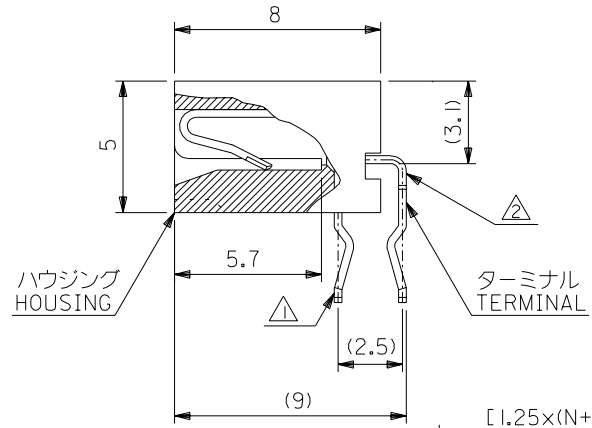
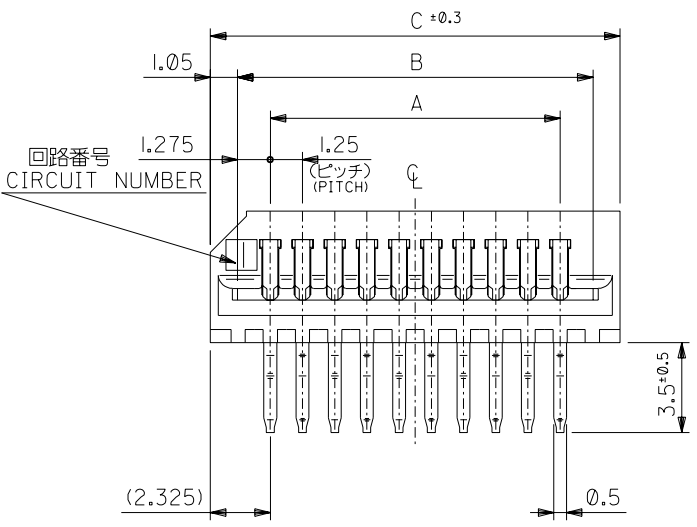
Email [productcompliance@molex.com](mailto:productcompliance@molex.com)  
 For a multiple part number RoHS Certificate of  
 Compliance, [click here](#)

Please visit the [Contact Us](#) section for any  
 non-product compliance questions.

**Search Parts in this Series**  
[52044Series](#)

DWG. NO.  
SD-52044-\*\*\*45

無鉛  
LEAD FREE



注記 NOTES

- △ 奇数極ソルダーテール。  
ODD CIRCUIT SOLDER TAIL.
- △ 偶数極ソルダーテール。  
EVEN CIRCUIT SOLDER TAIL.

3. 材質 MATERIAL

ターミナル: リン青銅 (t=0.3)  
メッキ: 錫メッキ 0.9 μm 以上  
リフロー処理  
TERMINAL: PHOSPHOR BRONZE (t=0.3)  
PLATING: Sn 0.9 μm MIN.  
REFLOW TREATMENT.  
ハウジング: PBTP, UL94V-0 (灰色)  
HOUSING: PBTP, UL94V-0 (GRAY)

基板取付穴推奨寸法  
RECOMMENDED P.C.BOARD HOLE DIM.  
(厚さ: 1.6)  
(THICKNESS: 1.6)

53.4	51.3	48.75	52044-4045	40
52.15	50.05	47.5	▲ -3945	39
50.9	48.8	46.25	-3845	38
49.65	47.55	45	-3745	37
48.4	46.3	43.75	-3645	36
47.15	45.05	42.5	-3545	35
45.9	43.8	41.25	-3445	34
44.65	42.55	40	-3345	33
43.4	41.3	38.75	-3245	32
42.15	40.05	37.5	-3145	31
40.9	38.8	36.25	-3045	30
39.65	37.55	35	-2945	29
38.4	36.3	33.75	-2845	28
37.15	35.05	32.5	-2745	27
35.9	33.8	31.25	-2645	26
34.65	32.55	30	-2545	25
33.4	31.3	28.75	-2445	24
32.15	30.05	27.5	-2345	23
30.9	28.8	26.25	-2245	22
29.65	27.55	25	-2145	21
28.4	26.3	23.75	-2045	20
27.15	25.05	22.5	-1945	19
25.9	23.8	21.25	-1845	18
24.65	22.55	20	-1745	17
23.4	21.3	18.75	-1645	16
22.15	20.05	17.5	-1545	15
20.9	18.8	16.25	-1445	14
19.65	17.55	15	-1345	13
18.4	16.3	13.75	-1245	12
17.15	15.05	12.5	-1145	11
15.9	13.8	11.25	-1045	10
14.65	12.55	10	-0945	9
13.4	11.3	8.75	-0845	8
12.15	10.05	7.5	-0745	7
10.9	8.8	6.25	-0645	6
9.65	7.55	5	-0545	5
8.4	6.3	3.75	▼ -0445	4
7.15	5.05	2.5	52044-0345	3
C	B	A	ENG. NO.	NO. OF CKT. 極数

DIMENSIONS IN METRIC DO NOT SCALE DRAWING

単位 DESIGN UNITS		mm			材料 MATERIAL	注記参照 SEE NOTES	molex MOLEX-JAPAN CO.,LTD. 日本モレックス株式会社
角度 ANGLE	±3°				仕上げ FINISH	—  —	
30°以上 OVER	±0.3	C	変更 REVISIED (J2003-1115)	K.Y. M.T '02/10/22	適用電線範囲 WIRE RANGE	—  —	TITLE 名称
10°以上 30°未滿 UNDER	±0.25	B	変更 REVISIED (J2002-1855)	K.Y. M.T '02/2/1	被覆外径 INS. RANGE	—  —	1.25 FFC CONN. HS'G ASS'Y R/A. TYPE
未滿 10° UNDER	±0.2	A	再作図&変更 (J50278) REDRAWN & REVISIED	T.A. H.H '95/4/24	DRAWN BY '95/4/24 T.ASAKAWA	CHK'D BY '95/4/24 Y.M.H.HIRAMOTO	DWG. NO.
一般公差 GENERAL TOLERANCES	記号 LTR	変更内容 REVISION RECORD	DR. CHK.	日付 DATE	APP'D BY '95/4/24 M.FUKUSHIMA	尺度 SCALE 5:1	SD-52044-***45
							REV C