

PLEASE CHECK WWW.MOLEX.COM FOR LATEST PART INFORMATION

Part Number: [0495972047](#)
Status: **Active**
Description: 1.25mm (.049") FPC/FFC Backflip Housing, 20 Circuits, Natural, Halogen Free

Documents:

[Drawing \(PDF\)](#) [RoHS Certificate of Compliance \(PDF\)](#)
[Product Specification PS-49597-001 \(PDF\)](#)

Agency Certification

UL E29179

General

Product Family FFC/FPC Connectors
 Series [49597](#)
 Product Name BackFlip™

Physical

Circuits (Loaded) 20
 Circuits (maximum) 20
 Color - Resin Natural
 Contact Position Bottom
 Durability (mating cycles max) 250
 Entry Angle Side Entry
 Flammability 94V-0
 Material - Metal Copper Nickel
 Material - Plating Mating Tin
 Material - Plating Termination Copper
 Material - Resin Nylon
 Number of Rows 1
 Orientation Right Angle
 PCB Locator No
 PCB Retention None
 Packaging Type Embossed Tape on Reel
 Pitch - Mating Interface (in) 0.049 In
 Pitch - Mating Interface (mm) 1.25 mm
 Polarized to PCB No
 Stackable No
 Surface Mount Compatible (SMC) Yes
 Temperature Range - Operating N/A
 Termination Interface: Style IDT or Pierce
 Wire/Cable Type FFC/FPC

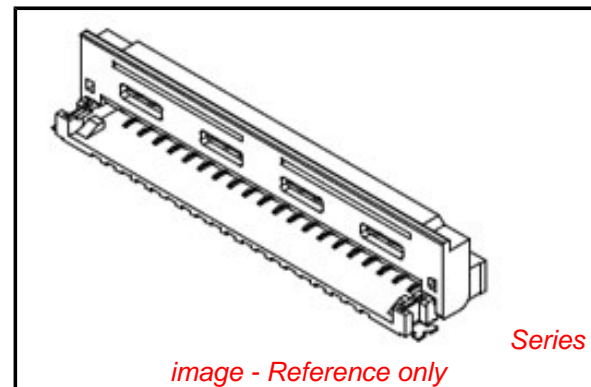
Electrical

Current - Maximum per Contact 1A
 Voltage - Maximum 300V

Material Info

Reference - Drawing Numbers

Product Specification PS-49597-001
 Sales Drawing SD-49597-001



EU RoHS

**ELV and RoHS
 Compliant**
REACH SVHC
 Not Reviewed
**Halogen-Free
 Status**

China RoHS

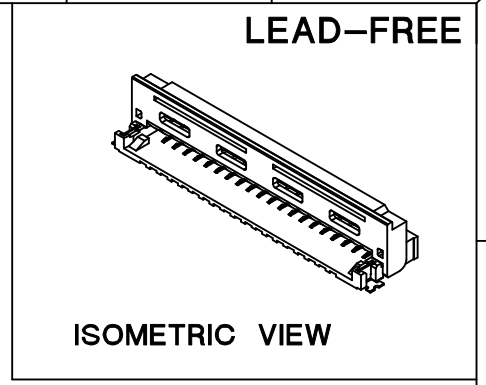
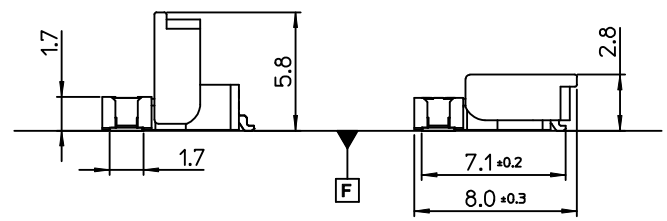
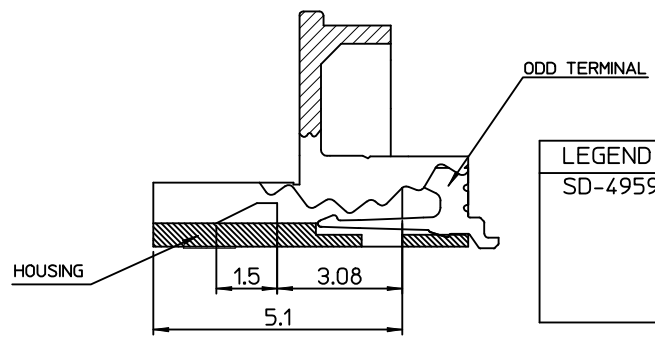
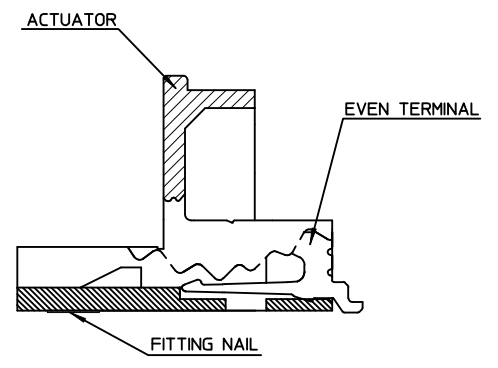
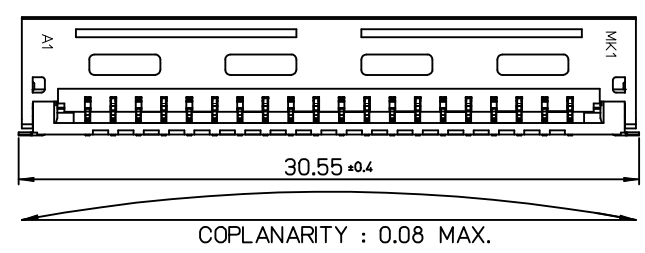
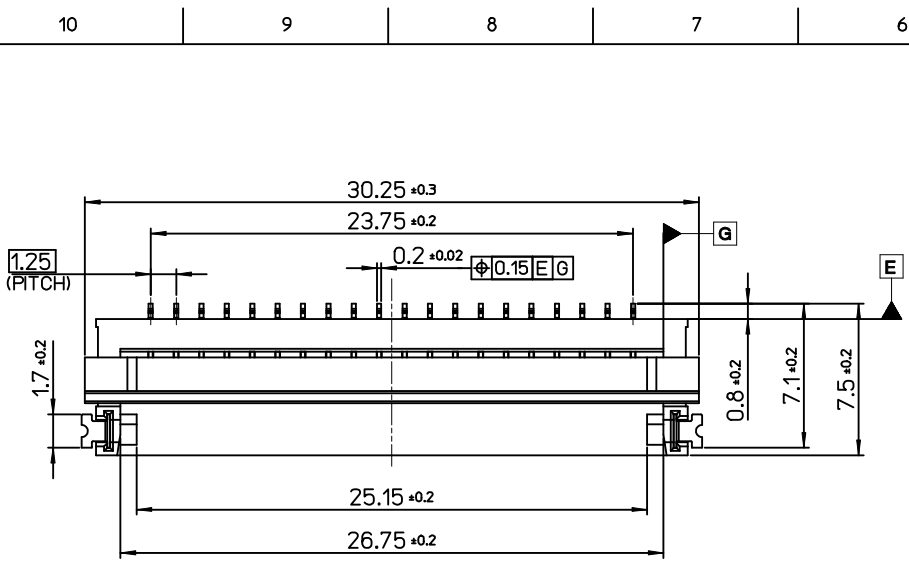


**Need more information on product
 environmental compliance?**

Email productcompliance@molex.com
 For a multiple part number RoHS Certificate of
 Compliance, [click here](#)

Please visit the [Contact Us](#) section for any
 non-product compliance questions.

Search Parts in this Series
[49597Series](#)

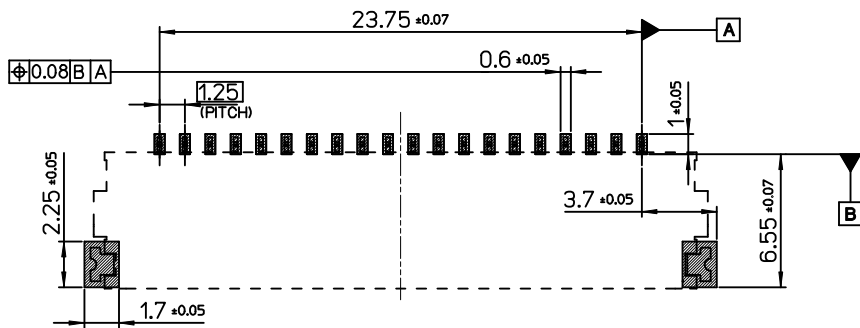


LEGEND	
SD-49597-20*7	
COLOR	0 : NATURAL
	1 : BLACK
	3 : NATURAL, HALOGEN FREE
	4 : BLACK, HALOGEN FREE

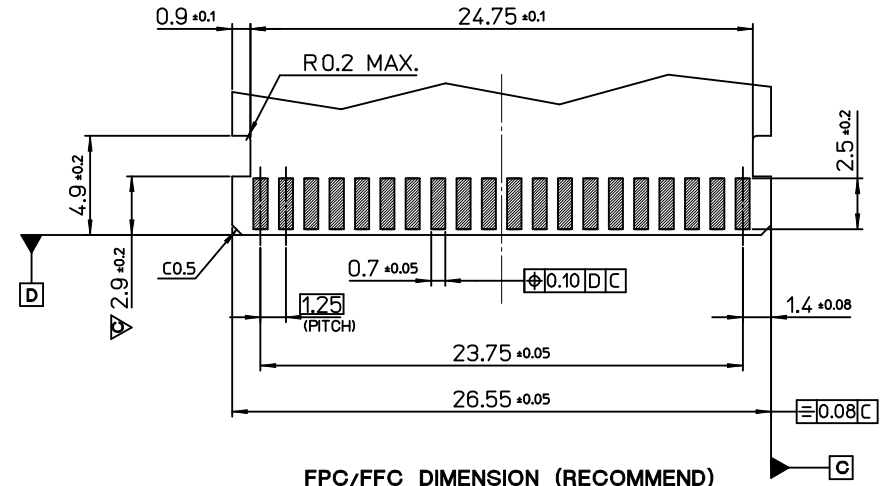
- NOTES**
- MATERIAL**
 - HOUSING : PA46 ,GLASS FILLED. UL94V-0, COLOR: BEIGE.
LCP, GLASS FILLED. UL94V-0, COLOR: NATURAL
 - ACTUATOR : LCP, GLASS FILLED. UL94V-0, COLOR: NATURAL, BLACK.
 - TERMINAL : COPPER ALLOY.
 - FITTING NAIL : COPPER ALLOY.
 - FINISHES**
 - TERMINAL : Tin[Sn] OVER NICKEL[Ni] PLATING.
 - FITTING NAIL : TIN[Sn] OVER NICKEL[Ni] PLATING.
 - PRODUCT SPECIFICATION** : PS-49597-001
 - PACKING SPECIFICATION** : PK-49597-001
 - ACTUATOR IS OPEN IN THE EMBOSSED PACKING**

REVISED EC NO: KOR2010-0012 DRWN: JHJEONG 2009/07/24 CHKD: YSOKIM 2009/07/24 APPR: YUNSIKIM 2009/07/24	DESCRIPTION REV	QUALITY SYMBOLS	GENERAL TOLERANCES (UNLESS SPECIFIED)	DIMENSION STYLE	SCALE	DESIGN UNITS	THIRD ANGLE PROJECTION																			
		$\nabla=0$ $\nabla=0$	<table border="1"> <tr> <th></th> <th>mm</th> <th>INCH</th> </tr> <tr> <td>4 PLACES</td> <td>± ---</td> <td>± ---</td> </tr> <tr> <td>3 PLACES</td> <td>± ---</td> <td>± ---</td> </tr> <tr> <td>2 PLACES</td> <td>± 0.2</td> <td>± ---</td> </tr> <tr> <td>1 PLACE</td> <td>± 0.25</td> <td>± ---</td> </tr> <tr> <td colspan="3">ANGULAR ± 1 °</td> </tr> </table>		mm	INCH	4 PLACES	± ---	± ---	3 PLACES	± ---	± ---	2 PLACES	± 0.2	± ---	1 PLACE	± 0.25	± ---	ANGULAR ± 1 °			MM ONLY	4:1	METRIC		
			mm	INCH																						
		4 PLACES	± ---	± ---																						
3 PLACES	± ---	± ---																								
2 PLACES	± 0.2	± ---																								
1 PLACE	± 0.25	± ---																								
ANGULAR ± 1 °																										
			<table border="1"> <tr> <td>DRAWN BY</td> <td>DATE</td> <td rowspan="2">TITLE</td> </tr> <tr> <td>JHLEE</td> <td>2007/03/09</td> </tr> <tr> <td>CHECKED BY</td> <td>DATE</td> <td rowspan="2"> MOLEX INCORPORATED SD-49597-001 </td> </tr> <tr> <td>KSKIM</td> <td>2007/03/09</td> </tr> <tr> <td>APPROVED BY</td> <td>DATE</td> <td rowspan="2"> MATERIAL NO. SEE TABLE </td> </tr> <tr> <td>YSOOKIM</td> <td>2007/03/09</td> </tr> <tr> <td colspan="2">MATERIAL NO.</td> <td>DOCUMENT NO.</td> <td>SHEET NO.</td> </tr> <tr> <td colspan="2"></td> <td></td> <td>1 OF 3</td> </tr> </table>	DRAWN BY	DATE	TITLE	JHLEE	2007/03/09	CHECKED BY	DATE	MOLEX INCORPORATED SD-49597-001	KSKIM	2007/03/09	APPROVED BY	DATE	MATERIAL NO. SEE TABLE	YSOOKIM	2007/03/09	MATERIAL NO.		DOCUMENT NO.	SHEET NO.				1 OF 3
DRAWN BY	DATE	TITLE																								
JHLEE	2007/03/09																									
CHECKED BY	DATE	MOLEX INCORPORATED SD-49597-001																								
KSKIM	2007/03/09																									
APPROVED BY	DATE	MATERIAL NO. SEE TABLE																								
YSOOKIM	2007/03/09																									
MATERIAL NO.		DOCUMENT NO.	SHEET NO.																							
			1 OF 3																							
			DRAFT WHERE APPLICABLE MUST REMAIN WITHIN DIMENSIONS	THIS DRAWING CONTAINS INFORMATION THAT IS PROPRIETARY TO MOLEX INCORPORATED AND SHOULD NOT BE USED WITHOUT WRITTEN PERMISSION																						

LEAD-FREE



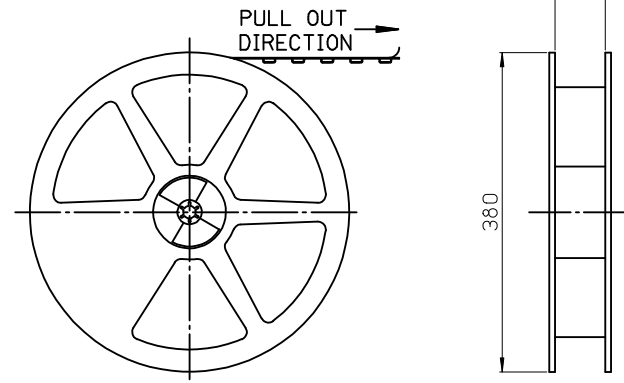
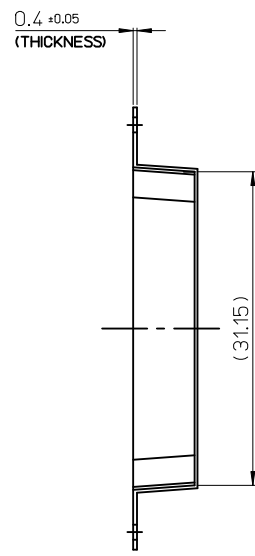
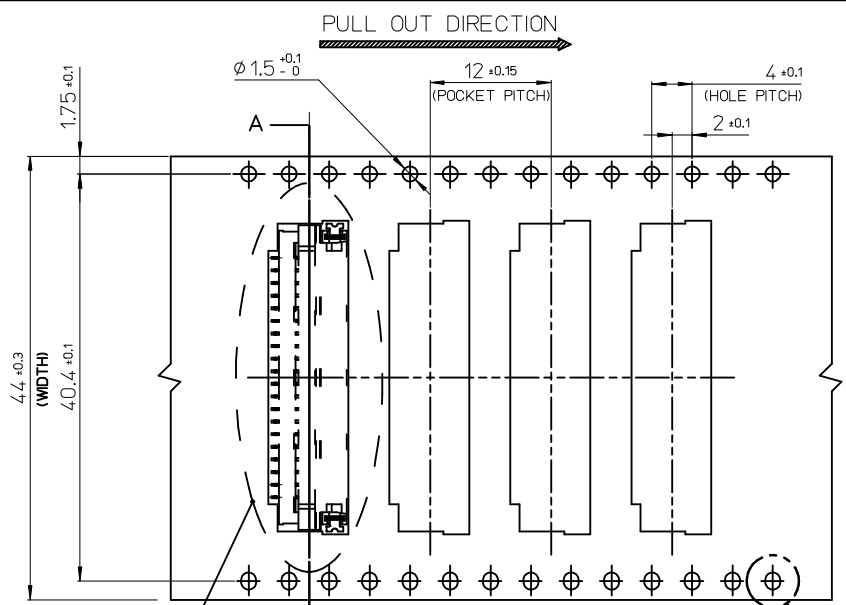
P.C. BOARD DIMENSION (RECOMMEND)



FPC/FFC DIMENSION (RECOMMEND)

(FLIM THICKNESS = 0.3±0.05)

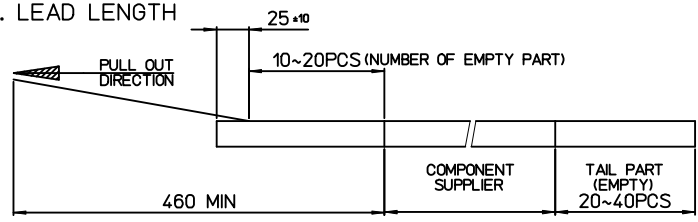
REVISED EC NO: KOR2010-0012 DRW: JHJ CHK: YS APP: YS	DESCRIPTION 2009/07/24 2009/07/24 2009/07/24	QUALITY SYMBOLS ▽=0 ▽=0	GENERAL TOLERANCES (UNLESS SPECIFIED)		DIMENSION STYLE MM ONLY		SCALE 4:1	DESIGN UNITS METRIC	THIRD ANGLE PROJECTION			
				mm	INCH	DRAWN BY	DATE	TITLE 1.25 FPC/FFC B/F HOUSING ASS'Y 20P (BOTTOM CONTACT)				
			4 PLACES	± ---	± ---	JHLEE	2007/03/09					
			3 PLACES	± ---	± ---	CHECKED BY	DATE	MOLEX INCORPORATED DOCUMENT NO. SD-49597-001				
2 PLACES	± 0.2	± ---	KSKIM	2007/03/09								
1 PLACE	± 0.25	± ---	APPROVED BY	DATE	SHEET NO. 2 OF 3							
ANGULAR		± 1 °		YSOOKIM						2007/03/09		
DRAFT WHERE APPLICABLE MUST REMAIN WITHIN DIMENSIONS			MATERIAL NO. SEE TABLE		THIS DRAWING CONTAINS INFORMATION THAT IS PROPRIETARY TO MOLEX INCORPORATED AND SHOULD NOT BE USED WITHOUT WRITTEN PERMISSION							



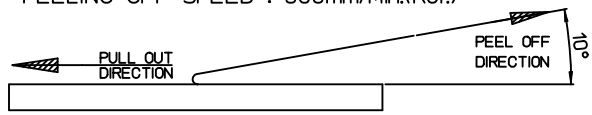
PLASTIC BOBBIN

NOTES

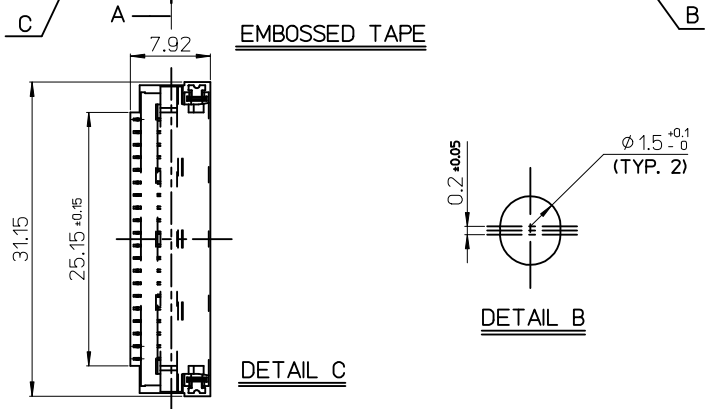
1. QUANTITY OF CONNECTORS : 1200PCS/REEL
2. LEAD LENGTH



3. PEELING OFF FORCE OF COVER TAPE : 0.1N~0.59N(10.2GF~60GF)
(PEELING DIRECTION AS SHOW IN FOLLOW FIG.)
PEELING OFF SPEED : 300mm/Min.(Ref.)



4. FLASH IN ANY PORTION SHOULD BE LESS THAN 0.20mm MAX.



HALOGEN FREE	495972047	495972040	49597-9920	44mm	BLACK
	495972037	495972030			NATURAL
NON-HF	495972017	495972010			BLACK
	495972007	495972000			NATURAL
TYPE	MATERIAL NO.	CONNECTOR	EMBOSS TAPE	TAPE WIDTH	COLOR
3	PLASTIC BOBBIN		HI P.S	WHITE	
2	COVER TAPE		P.E.T	37.5mm	
1	CARRIER (EMBOSS) TAPE		P.E.T		
NO.	DESCRIPTION		MATERIAL	REMARK	

REVISED

EC NO: KOR2010-0012

DRWN: HJEONG 2009/07/24

CHKD: YSOOKIM 2009/07/24

APPR: YUNSIKKIM 2009/07/24

QUALITY SYMBOLS	$\nabla=0$	GENERAL TOLERANCES (UNLESS SPECIFIED)	DIMENSION STYLE		SCALE	DESIGN UNITS	THIRD ANGLE PROJECTION
	$\sphericalangle=0$		mm	INCH	1:1	METRIC	
			MM ONLY				
		4 PLACES	\pm ---	\pm ---	DRAWN BY	DATE	TITLE
		3 PLACES	\pm ---	\pm ---	JHLEE	2007/03/09	1.25 FPC/FFC B/F CONN HOUSING ASS'Y 20P (BOTTOM CONTACT)
		2 PLACES	± 0.2	\pm ---	CHECKED BY	DATE	
		1 PLACE	± 0.25	\pm ---	KSKIM	2007/03/09	
		ANGULAR $\pm 1^\circ$			APPROVED BY	DATE	
		DRAFT WHERE APPLICABLE MUST REMAIN WITHIN DIMENSIONS			YSOOKIM	2007/03/09	
		SEE TABLE			MATERIAL NO.	DOCUMENT NO.	
		SIZE A3			THIS DRAWING CONTAINS INFORMATION THAT IS PROPRIETARY TO MOLEX INCORPORATED AND SHOULD NOT BE USED WITHOUT WRITTEN PERMISSION		

DRAWN BY		DATE	TITLE
JHLEE		2007/03/09	1.25 FPC/FFC B/F CONN HOUSING ASS'Y 20P (BOTTOM CONTACT)
CHECKED BY		DATE	
KSKIM		2007/03/09	
APPROVED BY		DATE	
YSOOKIM		2007/03/09	
MATERIAL NO.		DOCUMENT NO.	
SEE TABLE		SD-49597-001	
SIZE A3		SHEET NO. 3 OF 3	