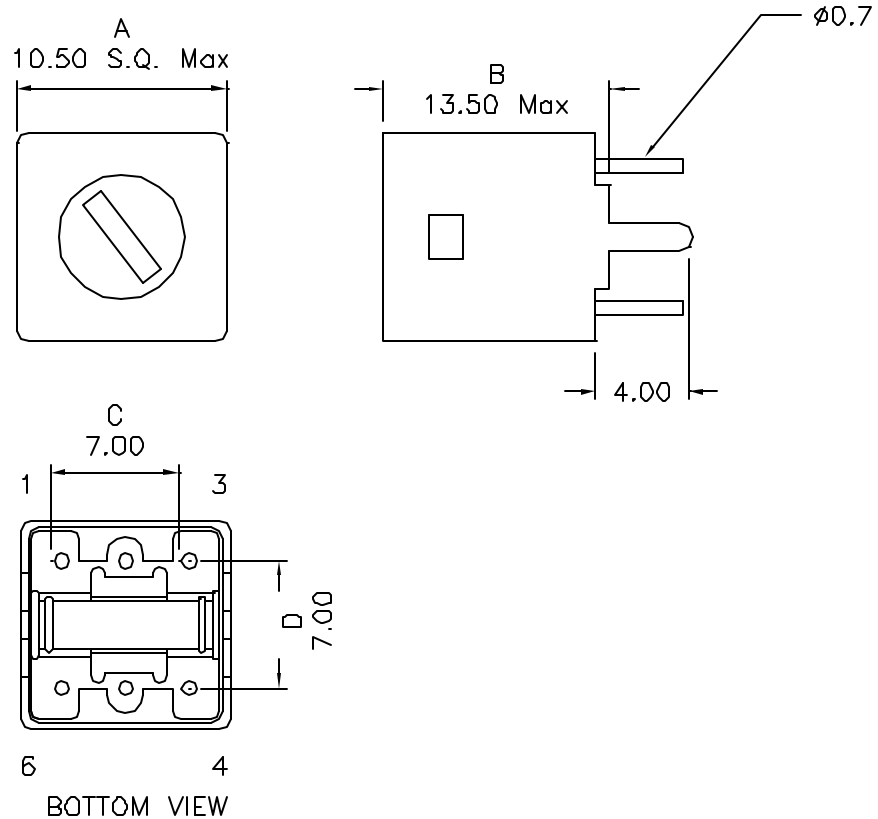


### 1. Mechanical Dimensions:



### 3. Electrical Specifications: @25°C

OCL: 2.2uH±10% @7.96MHz  
 Q: 54 Min @7.96MHz

**Note:**

1. Solderability: Leads shall meet MIL-STD-202, Method 208D for solderability.
2. Flammability: UL94V-0,
3. ASTM oxygen index: > 28% ,
4. Temperature rating: 155°C. UL file E151556,
5. Operating Temperature Range: 0°C to +70°C

DOC REV A/1

<b>XFMRs Inc.</b>	Title: Tunable Coil			
	UNLESS OTHERWISE SPECIFIED TOLERANCES: .xx ±0.25 Dimensions in MM	P/N: XF101013-1390		REV. A
		DWN.	李小锋	Jun-03-04
		CHK.	廖玉坤	Jun-03-04
SHEET 1 OF 1	APP.	J Ng	Jun-03-04	