

**PLEASE CHECK WWW.MOLEX.COM FOR LATEST PART INFORMATION**

**Part Number:** [1300970226](#)  
**Status:** **Active**  
**Overview:** [brad wire mesh grips](#)  
**Description:** Deluxe Cord Grips Strain Relief, 3/8" NPT, Straight Female, Cable Diameter 7.93-9.53mm (.312-.375")

**Documents:**

[Drawing \(PDF\)](#) [RoHS Certificate of Compliance \(PDF\)](#)

**Agency Certification**

CSA LR32159  
 UL E76954

**General**

Product Family Cable Grips  
 Series [130097](#)  
 Eye Type N/A  
 Hazardous Locations Class I, Div. 2, Class II, Div. 1 and 2, Class III, Div. 1 and 2  
 Insulated No  
 O-Ring No  
 Overview [brad wire mesh grips](#)  
 Product Name Deluxe Cord  
 Type Strain Relief Grips  
 Use With [1300990142](#) 3/8" NPT MAX-LOC® Lock Nut, [1300990148](#) 3/8" NPT MAX-LOC® Gasket  
 Woodhead Yes

**Physical**

Approximate Break Strength N/A  
 Bale Length 0.054m (2.13")  
 Body Style Straight  
 Cable Diameter 7.93-9.53mm (.312-.375")  
 Color - Grommet N/A  
 Gender Female  
 Material - Body Aluminum  
 Material - Grip Stainless Steel  
 Mesh Length 0.108m (4.25")  
 Number of Holes N/A  
 Strain Relief Force 35 lbs  
 Thread Size 3/8" NPT

**Material Info**

Old Part Number 36431

**Reference - Drawing Numbers**

Sales Drawing SD-130097-004

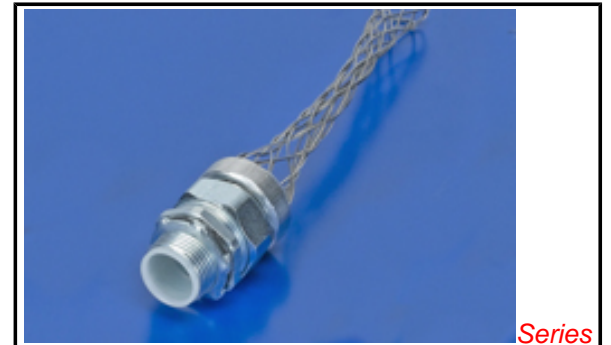


image - Reference only

Series

**EU RoHS**

**ELV and RoHS Compliant**  
**REACH SVHC Not Reviewed**  
**Halogen-Free Status Not Reviewed**

**China RoHS**



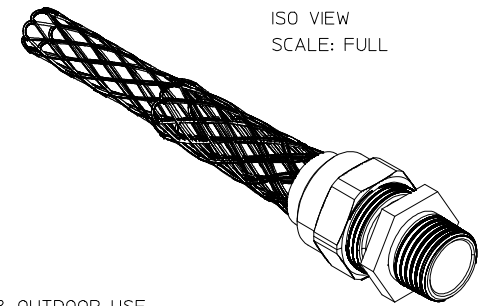
**Need more information on product environmental compliance?**

Email [productcompliance@molex.com](mailto:productcompliance@molex.com)  
 For a multiple part number RoHS Certificate of Compliance, [click here](#)

Please visit the [Contact Us](#) section for any non-product compliance questions.

**Search Parts in this Series**  
[130097Series](#)

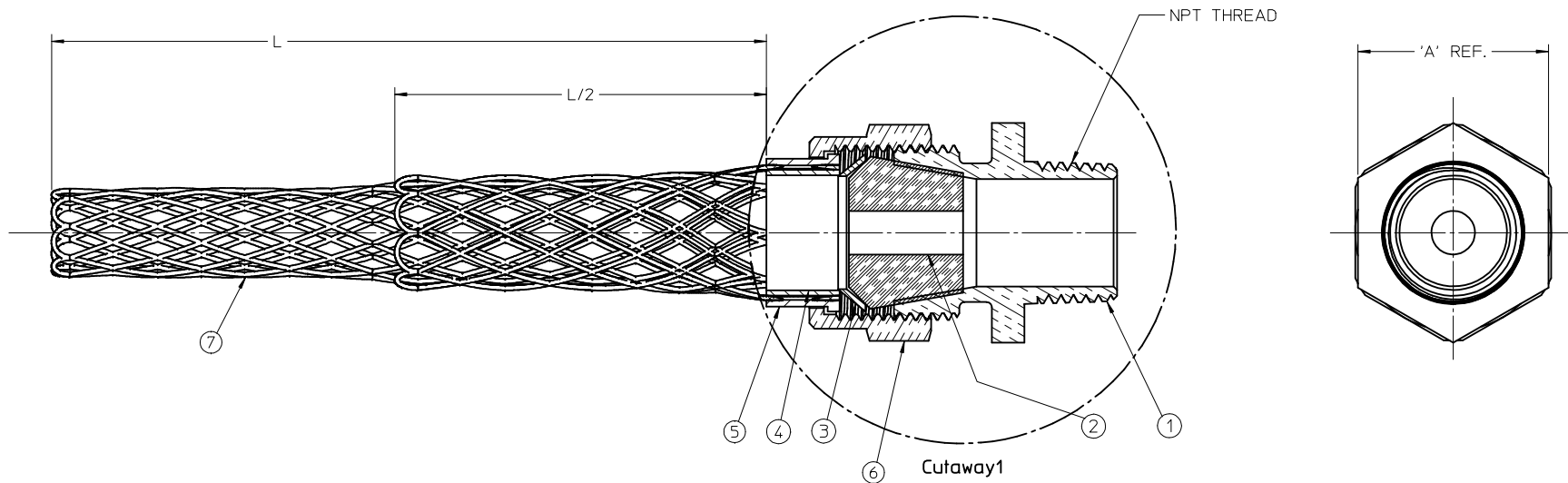
PART NO.	ENGINEERING NO.	CABLE RANGE	THREAD SIZE	'A' HEX	'L' LENGTH	L/2 LENGTH
1300970250	36490	.19-.25 / 4.8-6.4	3/8 NPT	.88 / 22.4	4.25 / 108.0	2.13 / 54.0
1300970225	36430	.25-.31 / 6.4-7.9				2.13 / 54.0
1300970226	36431	.31-.38 / 7.9-9.7				2.13 / 54.0
1300970227	36432	.38-.44 / 9.7-11.2			5.50 / 140.0	2.75 / 69.9
1300970160	36250	.19-.25 / 4.8-6.4	1/2 NPT	1.09 / 27.7	4.00 / 102.0	2.00 / 51.0
1300970161	36251	.25-.38 / 6.4-9.7			4.50 / 114.0	2.25 / 57.0
1300970163	36254	.38-.50 / 9.7-12.7			6.25 / 159.0	3.13 / 79.5
1300970165	36256	.50-.63 / 12.7-16.0			7.00 / 178.0	3.50 / 89.0
1300970156	36245	.63-.75 / 16.0-19.0				
1300970157	36246	.75-.88 / 19.0-22.4				
1300970166	36257	.25-.38 / 6.4-9.7	3/4 NPT	1.15 / 29.2	5.63 / 143.0	2.82 / 71.5
1300970167	36259	.38-.50 / 9.7-12.7			6.25 / 159.0	3.13 / 79.5
1300970168	36261	.50-.63 / 12.7-16.0			7.00 / 178.0	3.50 / 89.0
1300970170	36263	.63-.75 / 16.0-19.0			9.50 / 241.3	4.75 / 120.7
1300970158	36248	.75-.88 / 19.0-22.4			9.25 / 235.0	4.63 / 117.5



ISO VIEW  
SCALE: FULL

NOTES:

1. MATERIAL: SEE TABLE
2. FINISHES: SEE TABLE
3. SUITABLE FOR INDOOR & OUTDOOR USE
4. SUITABLE FOR HAZARDOUS LOCATIONS  
CLASS 1 DIV.2, CLASS2 DIV. 1 & 2  
CLASS 3 DIV. 1 & 2
5. STAIN RELIEF FORCE: 35 LBS.
6. ASSEMBLY IS RoHS COMPLIANT



7	1	WIRE MESH	ST. STEEL	
6	1	COMPRESSION NUT	ALUMINUM	
5	1	OUTER RING	ALUMINUM	
4	1	INNER RING	ALUMINUM	
3	1	FRICTION RING	STEEL	ZINC PLATED
2	2	GROMMET	RUBBER	BLACK
1	1	CORD GRIP BODY	ALUMINUM	
ITEM	QTY.	DESCRIPTION	MATERIAL	FINISH

RELEASED	EC NO: WNA2009-0602	2009/03/24
DRWNR:STONE	CHKDR:WOODMAN	APPR:JMURPHY
DESCRIPTION	2009/04/01	
REV	A	

QUALITY SYMBOLS  
 ▽=0  
 ▽=0

GENERAL TOLERANCES (UNLESS SPECIFIED)

	mm	INCH
4 PLACES ±	---	---
3 PLACES ±	---	---
2 PLACES ±	---	±.01
1 PLACE ±	0.3	---

ANGULAR ±1/2°

DRAFT WHERE APPLICABLE  
MUST REMAIN  
WITHIN DIMENSIONS

DIMENSION STYLE  
IN/MM

DRAWN BY DATE  
R. STONE 2009/03/20

CHECKED BY DATE  
B. WOODMAN 2008/03/24

APPROVED BY DATE  
J. MURPHY 2009/03/26

MATERIAL NO.  
SEE CHART

SIZE  
C

SCALE  
2:1

DESIGN UNITS  
INCH

THIRD ANGLE PROJECTION

DELUXE CORD GRIP  
STRAIGHT, MALE THREAD



MOLEX INCORPORATED

DOCUMENT NO.

SD-130097-004

SHEET NO.

1 OF 1

THIS DRAWING CONTAINS INFORMATION THAT IS PROPRIETARY TO MOLEX INCORPORATED AND SHOULD NOT BE USED WITHOUT WRITTEN PERMISSION