

PLEASE CHECK WWW.MOLEX.COM FOR LATEST PART INFORMATION

Part Number: [1300970170](#)
Status: **Active**
Overview: [brad wire mesh grips](#)
Description: Deluxe Cord Grips Strain Relief, 3/4" NPT, Straight Female, Cable Diameter 15.88-19.05mm (.625-.750")

Documents:

[Drawing \(PDF\)](#) [RoHS Certificate of Compliance \(PDF\)](#)

Agency Certification

CSA LR32159

General

Product Family	Cable Grips
Series	130097
Eye Type	N/A
Hazardous Locations	Class I, Div. 2, Class II, Div. 1 and 2, Class III, Div. 1 and 2
Insulated	No
O-Ring	No
Overview	brad wire mesh grips
Product Name	Deluxe Cord
Type	Strain Relief Grips
Use With	1300990144 3/4" NPT MAX-LOC® Lock Nut, 1300990150 3/4" NPT MAX-LOC® Gasket
Woodhead	Yes

Physical

Approximate Break Strength	N/A
Bale Length	0.120m (4.75")
Body Style	Straight
Cable Diameter	15.88-19.05mm (.625-.750")
Color - Grommet	N/A
Gender	Female
Material - Body	Aluminum
Material - Grip	Stainless Steel
Mesh Length	0.241m (9.50")
Number of Holes	N/A
Strain Relief Force	35 lbs
Thread Size	3/4" NPT

Material Info

Old Part Number 36263

Reference - Drawing Numbers

Sales Drawing SD-130097-004



image - Reference only

EU RoHS

**ELV and RoHS
Compliant
REACH SVHC
Not Reviewed
Halogen-Free
Status
Not Reviewed**

China RoHS



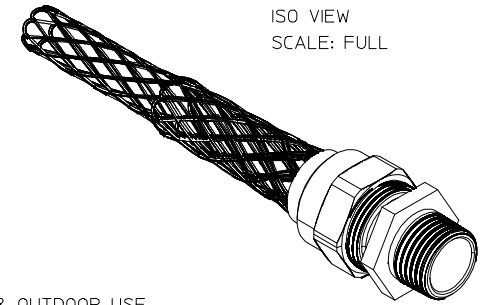
Need more information on product environmental compliance?

Email productcompliance@molex.com
For a multiple part number RoHS Certificate of Compliance, [click here](#)

Please visit the [Contact Us](#) section for any non-product compliance questions.

Search Parts in this Series
130097Series

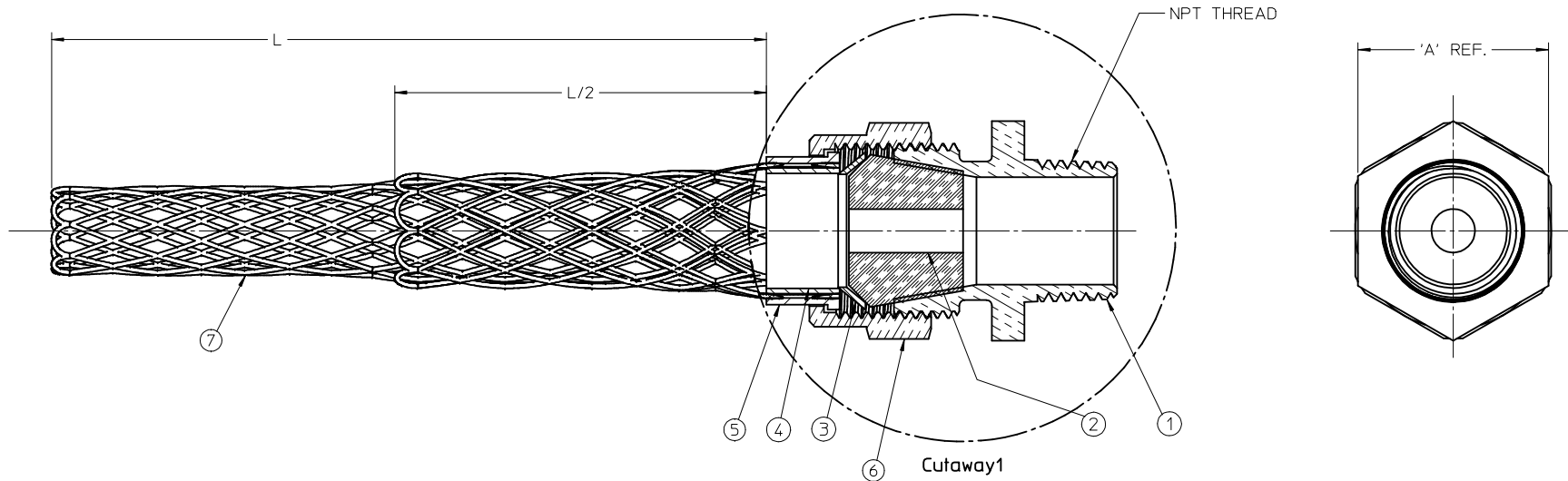
PART NO.	ENGINEERING NO.	CABLE RANGE	THREAD SIZE	'A' HEX	'L' LENGTH	L/2 LENGTH
1300970250	36490	.19-.25 / 4.8-6.4	3/8 NPT	.88 / 22.4	4.25 / 108.0	2.13 / 54.0
1300970225	36430	.25-.31 / 6.4-7.9				2.13 / 54.0
1300970226	36431	.31-.38 / 7.9-9.7				2.13 / 54.0
1300970227	36432	.38-.44 / 9.7-11.2			5.50 / 140.0	2.75 / 69.9
1300970160	36250	.19-.25 / 4.8-6.4	1/2 NPT	1.09 / 27.7	4.00 / 102.0	2.00 / 51.0
1300970161	36251	.25-.38 / 6.4-9.7			4.50 / 114.0	2.25 / 57.0
1300970163	36254	.38-.50 / 9.7-12.7			6.25 / 159.0	3.13 / 79.5
1300970165	36256	.50-.63 / 12.7-16.0			7.00 / 178.0	3.50 / 89.0
1300970156	36245	.63-.75 / 16.0-19.0				
1300970157	36246	.75-.88 / 19.0-22.4				
1300970166	36257	.25-.38 / 6.4-9.7	3/4 NPT	1.15 / 29.2	5.63 / 143.0	2.82 / 71.5
1300970167	36259	.38-.50 / 9.7-12.7			6.25 / 159.0	3.13 / 79.5
1300970168	36261	.50-.63 / 12.7-16.0			7.00 / 178.0	3.50 / 89.0
1300970170	36263	.63-.75 / 16.0-19.0			9.50 / 241.3	4.75 / 120.7
1300970158	36248	.75-.88 / 19.0-22.4			9.25 / 235.0	4.63 / 117.5



ISO VIEW
SCALE: FULL

NOTES:

1. MATERIAL: SEE TABLE
2. FINISHES: SEE TABLE
3. SUITABLE FOR INDOOR & OUTDOOR USE
4. SUITABLE FOR HAZARDOUS LOCATIONS
CLASS 1 DIV.2, CLASS2 DIV. 1 & 2
CLASS 3 DIV. 1 & 2
5. STAIN RELIEF FORCE: 35 LBS.
6. ASSEMBLY IS RoHS COMPLIANT



7	1	WIRE MESH	ST. STEEL	
6	1	COMPRESSION NUT	ALUMINUM	
5	1	OUTER RING	ALUMINUM	
4	1	INNER RING	ALUMINUM	
3	1	FRICTION RING	STEEL	ZINC PLATED
2	2	GROMMET	RUBBER	BLACK
1	1	CORD GRIP BODY	ALUMINUM	
ITEM	QTY.	DESCRIPTION	MATERIAL	FINISH

RELEASED	EC NO: WNA2009-0602	2009/03/24
DRAWN BY	DRWINSTONE	2009/03/24
CHECKED BY	CHKD:B. WOODMAN	
APPROVED BY	APPR:J.MURPHY	2009/04/01
REV	DESCRIPTION	

QUALITY SYMBOLS
 ▽=0
 ▽=0

GENERAL TOLERANCES (UNLESS SPECIFIED)

	mm	INCH
4 PLACES ±	---	---
3 PLACES ±	---	---
2 PLACES ±	---	±.01
1 PLACE ±	±0.3	---

ANGULAR ±1/2°

DRAFT WHERE APPLICABLE
MUST REMAIN
WITHIN DIMENSIONS

DIMENSION STYLE
IN/MM

DRAWN BY DATE
R. STONE 2009/03/20

CHECKED BY DATE
B. WOODMAN 2008/03/24

APPROVED BY DATE
J. MURPHY 2009/03/26

MATERIAL NO.
SEE CHART

SIZE
C

SCALE
2:1

DESIGN UNITS
INCH

THIRD ANGLE PROJECTION

TITLE
DELUXE CORD GRIP
STRAIGHT, MALE THREAD

MOLEX INCORPORATED

DOCUMENT NO. SD-130097-004

SHEET NO. 1 OF 1

THIS DRAWING CONTAINS INFORMATION THAT IS PROPRIETARY TO MOLEX INCORPORATED AND SHOULD NOT BE USED WITHOUT WRITTEN PERMISSION