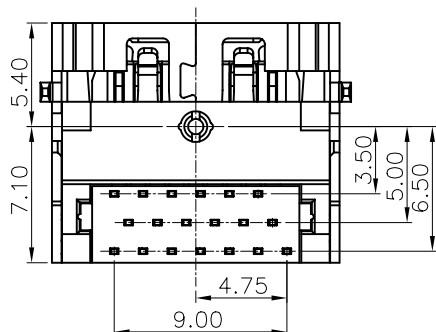
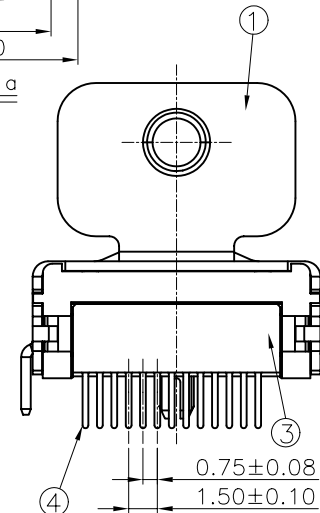
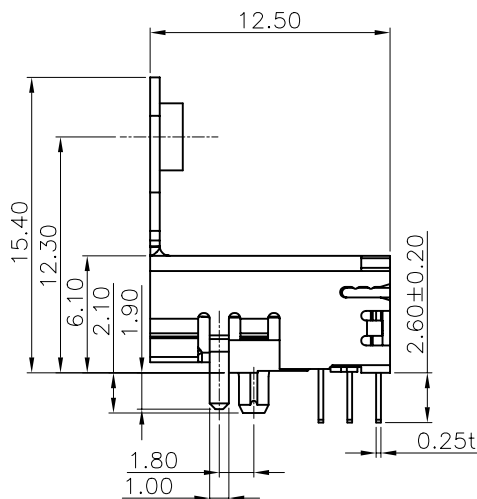
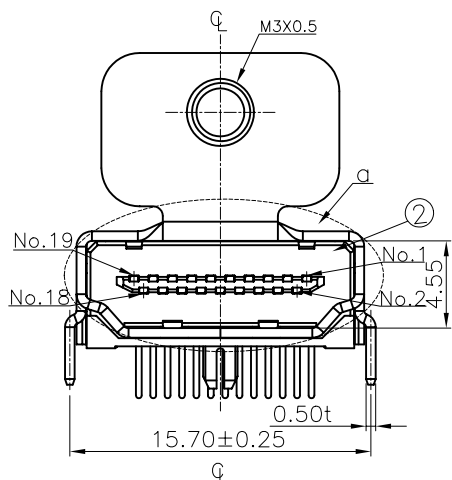
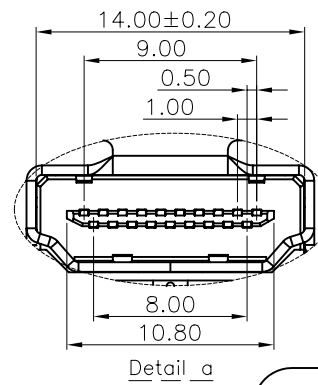
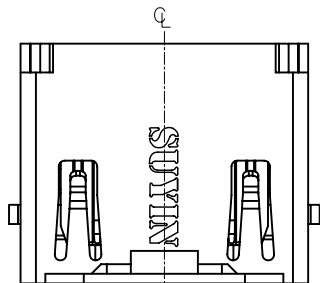




RoHS
Compliant
2002/95/EC



1 NOTES:
100042MR019S□13ZA

1.Plating

S2-Gold flash in contact area/
100u" Min. Tin in solder area.

S4-15u" Min. gold in contact area/
100u" Min. Tin in solder area.

S5-30u" Min. gold in contact area/
100u" Min. Tin in solder area.



4	Terminal	Copper Alloy		Gold Plated Over Ni
3	Cover	LCP	Black	UL 94V-0
2	Housing	LCP	Black	UL 94V-0
1	Shell	Copper Alloy		Ni Plated
NO.	DESCRIPTION	MATERIAL	COLOR	REMARK

SUYIN
CONNECTOR

CUSTOMER COPY	TITLE: HDMI Right Angle Through Hole Type Female Conn With Flange			
PART NO.		100042MR019SX13ZA		
PRODUCT SPEC.		100042MX019XXXXZX		
FILE NAME.	DWG	100042MR019SX13ZA-C		
SCALE	2.5:1	UNIT:mm	A4	SHEET: 1 of 3

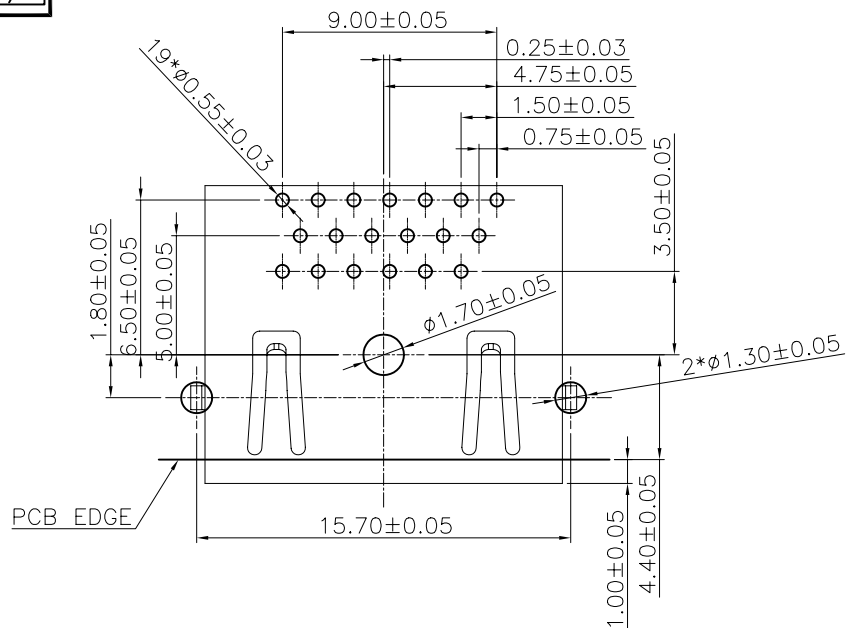
ECN(DCN) NO.	REV	DATE	DESCRIPTION	CHANGE	APPRO.	GENERAL TOLERANCE UNLESS OTHERWISE NOTED	APPRO.	童 俐	07'/02/02
	A	07'/02/02	A1: 高temp->LCP A2: 鍍Metal->Copper Alloy	李 楠 童 俐	Angle	±2'	DRAW	李 楠	07'/02/02
	0		NEW RELEASE	李 楠 童 俐	30 ~	±0.50	DESIGN	李 楠	07'/02/02
	P0	06'/09/04	NEW	李 楠 童 俐	10 ~ 30	±0.30	CHECK	鄭冰雨	07'/02/02
					~ 10	±0.15	APPRO.	童 俐	07'/02/02

Original:Draw: 李 楠 Design: 李 楠 Check: 鄭冰雨 Appro: 童 俐 發行日期: 06'/09/04

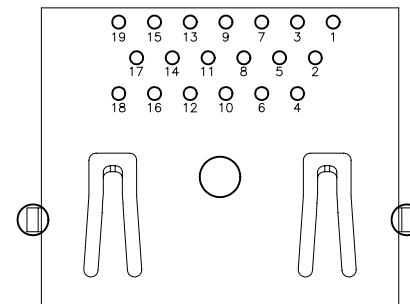
061130-BM033



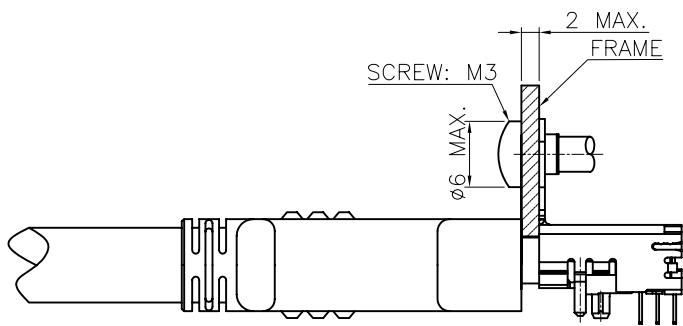
RoHS Compliant
2002/95/EC



RECOMMENDED PCB LAYOUT (THICKNESS=1.6±0.15mm)



PIN ASSIGNMENT



REFERNCE MOUNT DIMENSION

4	Terminal	Copper Alloy		Gold Plated Over Ni
3	Cover	LCP	Black	UL 94V-0
2	Housing	LCP	Black	UL 94V-0
1	Shell	Copper Alloy		Ni Plated
NO.	DESCRIPTION	MATERIAL	COLOR	REMARK

SUYIN
CONNECTOR

CUSTOMER COPY TITLE: HDMI Right Angle Through Hole Type Female Conn With Flange

PART NO. 100042MR019SX13ZA

PRODUCT SPEC. 100042MX019XXXXZX

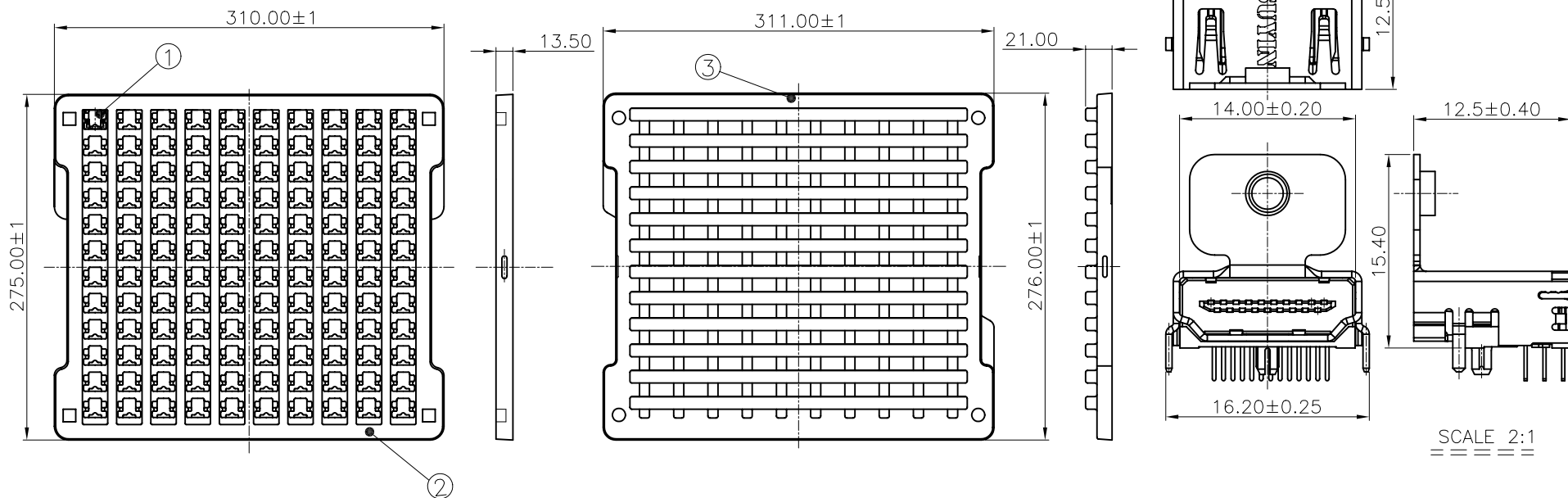
FILE NAME. DING 100042MR019SX13ZA-C

SCALE 5:1 UNIT:mm A4 SHEET: 2 of 3

				Angle	±2°	DRAW	李楠	07'/02/02	
	A	07'/02/02	A1: 高temp->LCP A2: 金属->铜合金	30 ~	±0.50	DESIGN	李楠	07'/02/02	
	0		NEW RELEASE	10 ~ 30	±0.30	CHECK	鄭冰雨	07'/02/02	
	P0	06'/09/04	NEW	~ 10	±0.15	APPRO.	童俐	07'/02/02	
ECN(DCN) NO.	REV	DATE	DESCRIPTION	CHANGE	APPRO.	GENERAL TOLERANCE UNLESS OTHERWISE NOTED	APPRO.	童俐	07'/02/02



RoHS Compliant
2002/95/EC



1 Package Information

Part Number	Q'ty per tube
100042MR019SX13ZA	120 pcs

NOTE:1.ALL dimensions toerance are:
±0.30mm unless otherwise specified.
2.TRAY(BOTTOM):T=0.60mm
TRAY(Top):T=0.60mm

3	TRAY(TOP)	PVC	TRANS	———
2	TRAY(BOTTOM)	PVC	TRANS	———
1	Product	———	———	100042MR019SX13ZA
NO.	DESCRIPTION	MATERIAL	COLOR	REMARK

SUYIN
CONNECTOR

CUSTOMER COPY	TITLE:	HDMI Right Angle Through Hole Type Female Conn With Flange		
PART NO.		100042MR019SX13ZA		
PRODUCT SPEC.		100042MX019XXXXZX		
FILE NAME.	DWG	100042MR019SX13ZA-C		
SCALE	1:5	UNIT:mm	A4	SHEET: 3 of 3

ECN(DCN) NO.	REV	DATE	DESCRIPTION	CHANGE	APPRO.	GENERAL TOLERANCE UNLESS OTHERWISE NOTED	APPRO.	童 俐	07'/02/02
———	A	07'/02/02	A1:塑料High temp->LCP A2:塑料Metal->Copper Alloy	李 楠	童 俐	Angle 30 ~ ±0.50	DRAW	李 楠	07'/02/02
———	0		NEW RELEASE	李 楠	童 俐	10 ~ 30 ±0.30	DESIGN	李 楠	07'/02/02
———	PO	06'/09/04	NEW	李 楠	童 俐	~ 10 ±0.15	CHECK	鄭冰雨	07'/02/02