

PLEASE CHECK WWW.MOLEX.COM FOR LATEST PART INFORMATION

Part Number: [0502257412](#)
Status: **Active**
Description: Ring Tongue Terminal for 14-16 AWG, Closed Uninsulated Brazed Barrel, Stud Size 1/4" (M6), Oxygen-Free Copper, Length 21.70mm (.854")

Documents:

[Drawing \(PDF\)](#) [RoHS Certificate of Compliance \(PDF\)](#)
[Product Specification PS-50224-001 \(PDF\)](#)

General

Product Family	Ring and Spade Terminals
Series	50225
Crimp Quality Equipment	Yes
Mil-Spec	N/A
Product Name	R (Ring)
Type	Ring

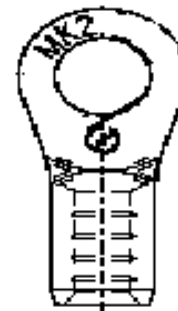
Physical

Barrel Type	Closed - Brazed
Insulation	None
Material - Plating Mating	Tin
Packaging Type	Bag
Plating min: Mating (µin)	40
Plating min: Mating (µm)	1
Plating min: Termination (µin)	40
Plating min: Termination (µm)	1
Stud Size	1/4" (M6)
Termination Interface: Style	Crimp or Compression
Wire Size AWG	14, 16
Wire Size mm ²	1.04 - 2.63

Material Info

Reference - Drawing Numbers

Product Specification	PS-50224-001
Sales Drawing	SD-50225-001



Series
image - Reference only

EU RoHS

ELV and RoHS Compliant
REACH SVHC
 Not Reviewed
Halogen-Free Status
 Not Reviewed

China RoHS



Need more information on product environmental compliance?

Email productcompliance@molex.com
 For a multiple part number RoHS Certificate of Compliance, [click here](#)

Please visit the [Contact Us](#) section for any non-product compliance questions.

Search Parts in this Series

[50225Series](#)

Application Tooling | [FAQ](#)

Tooling specifications and manuals are found by selecting the products below. Crimp Height Specifications are then contained in the Application Tooling Specification document.

Japan

Description	Product #
Hand Crimper For JIS Terminal	0572575000
Hand Crimper For JIS Terminal	0573435002

F

E

D

C

B

A

F

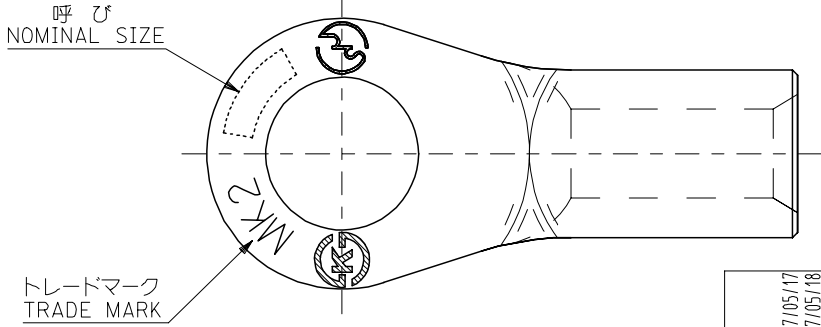
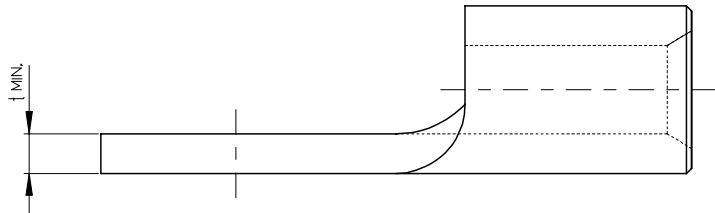
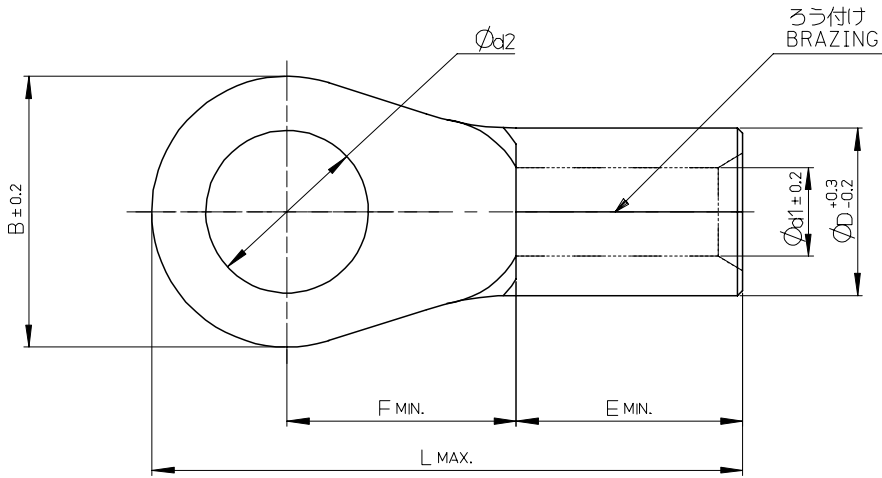
E

D

C

B

A



注記 NOTES

- 1 材質 MATERIAL
 端子：無酸素銅、錫めっき
 TERMINAL: OXYGEN-FREE COPPER, TIN PLATING
 ろう付け部：りん銅ろう
 PART OF BRAZING : COPPER PHOSPHORUS BRAZING FILLER METALS
- 2 適用電線 APPLICABLE WIRE RANGE

単線 SOLID WIRE	撚線 STRANDED WIRE
1.14 ~ 1.82 mm	1.04 ~ 2.63 mm ²

△ JIS認定品にのみ刻印。
 DIE STAMPED MARK IS ALLOWED ONLY
 FOR JIS FILED PRODUCTS.

JIS	0.8	6.4 ^{+0.4}	22	7	4.1	2.3	4.2	15	2	6	50225-7412
JIS		5.3 ^{+0.2}	17.5	7				9.5		5	50225-7312
JIS		4.3 ^{+0.2}	17	6				8.5		4	50225-7212
JIS		3.7 ^{+0.2}		4				6.6		3.5	50225-7112
△	t	Ød2	L	F	E	Ød1	ØD	B	呼び NOMINAL SIZE	Ø	ENG. NO.

RELEASED EC NO: J2007-0312 DRW: H.YAJIMA 2007/05/17 CHK: K.KASAHARA 2007/05/18 APPR: NUKITA 2007/05/18	GENERAL TOLERANCES (UNLESS SPECIFIED)		DIMENSION STYLE MM ONLY		SCALE ---	DESIGN UNITS METRIC	THIRD ANGLE PROJECTION		
	10 UNDER	± 0.2	DRAWN BY H. YAJIMA		DATE 2006/10/25		TITLE RING TERMINAL		
	10 OVER 30 UNDER	± 0.25	CHECKED BY K. KASAHARA		DATE 2006/10/25		MOLEX INCORPORATED MATERIAL NO. SEE CHART DOCUMENT NO. SD-50225-001 SHEET NO. 1 OF 1		
	30 OVER	± 0.3	APPROVED BY N. UKITA		DATE 2006/10/25				
	ANGULAR	± 3 °	DRAFT WHERE APPLICABLE MUST REMAIN WITHIN DIMENSIONS		SIZE A3		THIS DRAWING CONTAINS INFORMATION THAT IS PROPRIETARY TO MOLEX INCORPORATED AND SHOULD NOT BE USED WITHOUT WRITTEN PERMISSION		