

PLEASE CHECK WWW.MOLEX.COM FOR LATEST PART INFORMATION

Part Number: [0482016052](#)

Status: **Active**

Description: D-Subminiature Shielded I/O PCB Female Receptacle, Right Angle, Through Hole, 9 Circuits, #4-40 Flush Insert, 0.38µm (15µ") Gold (Au) Plating, PCB Thickness 1.60mm (.063"), Lead Free

Documents:

[3D Model](#)

[Drawing \(PDF\)](#)

[Product Specification PS-48201-001 \(PDF\)](#)

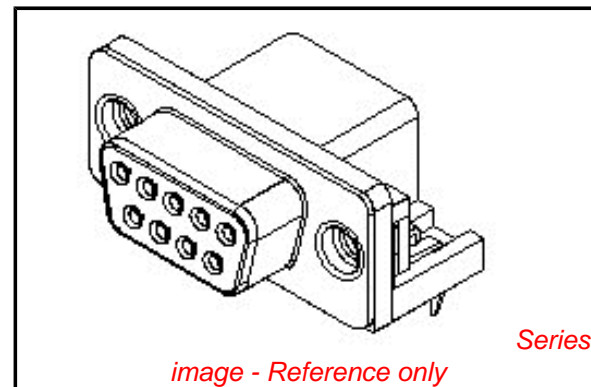
[RoHS Certificate of Compliance \(PDF\)](#)

General

| | |
|----------------|-----------------------|
| Product Family | I/O Connectors |
| Series | 48201 |
| Application | Wire-to-Board |
| Comments | Flush Insert only |
| Component Type | Receptacle |
| Product Name | D-Sub |
| Type | N/A |

Physical

| | |
|--------------------------------|-----------------|
| Boot Color | N/A |
| Circuits (Loaded) | 9 |
| Circuits (maximum) | 9 |
| Color - Resin | Black |
| Gender | Female |
| Lock to Mating Part | No |
| Material - Metal | Phosphor Bronze |
| Material - Plating Mating | Gold |
| Material - Plating Termination | Tin |
| Material - Resin | Polyester |
| Number of Rows | 2 |
| Orientation | Right Angle |
| PC Tail Length (in) | 0.125 In |
| PC Tail Length (mm) | 3.18 mm |
| PCB Locator | No |
| PCB Retention | Yes |
| PCB Thickness Recommended (in) | 0.063 In |
| PCB Thickness Recommended (mm) | 1.60 mm |
| Packaging Type | Tray |
| Panel Mount | Yes |
| Pitch - Mating Interface (in) | 0.054 In |
| Pitch - Mating Interface (mm) | 1.38 mm |
| Pitch - Term. Interface (in) | 0.054 In |
| Pitch - Term. Interface (mm) | 1.38 mm |
| Plating min: Mating (µin) | 15 |
| Plating min: Mating (µm) | 0.38 |
| Plating min: Termination (µin) | 100 |
| Plating min: Termination (µm) | 2.54 |
| Polarized to Mating Part | Yes |
| Polarized to PCB | Yes |
| Ports | 1 |
| Surface Mount Compatible (SMC) | No |
| Temperature Range - Operating | -55°C to +85°C |
| Termination Interface: Style | Through Hole |
| Waterproof / Dustproof | No |
| Wire Size AWG | N/A |



EU RoHS

**ELV and RoHS
Compliant**

REACH SVHC

Not Reviewed

Halogen-Free

Status

Not Halogen-Free

China RoHS



**Need more information on product
environmental compliance?**

Email productcompliance@molex.com
For a multiple part number RoHS Certificate of
Compliance, [click here](#)

Please visit the [Contact Us](#) section for any
non-product compliance questions.

Search Parts in this Series

[48201Series](#)

Mates With

[48202 D-Sub Male Plug](#)

Electrical

| | |
|-------------------------------|-------------|
| Current - Maximum per Contact | 1A |
| Shield Type | Full Shield |
| Shielded | Yes |
| Voltage - Maximum | 300V DC |

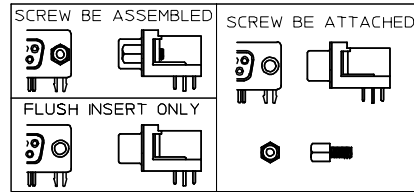
Material Info**Reference - Drawing Numbers**

| | |
|-----------------------|--------------|
| Product Specification | PS-48201-001 |
| Sales Drawing | SD-48201-001 |

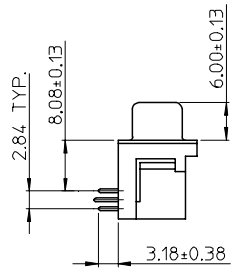
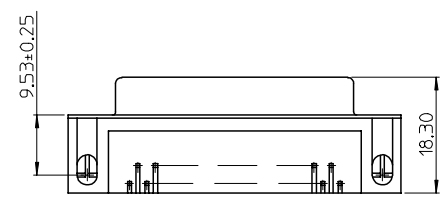
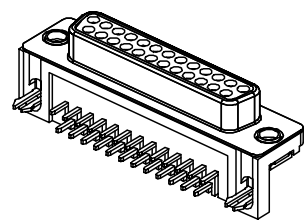
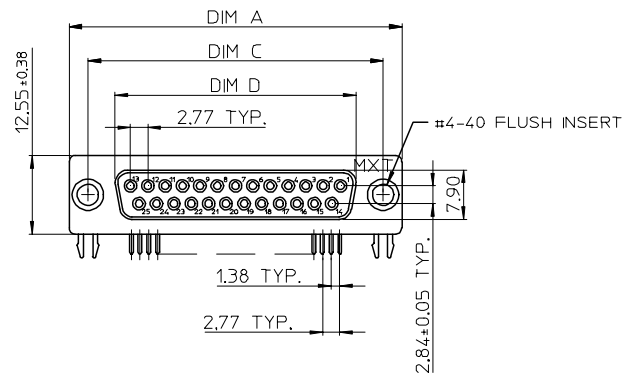
This document was generated on 03/31/2010

PLEASE CHECK WWW.MOLEX.COM FOR LATEST PART INFORMATION

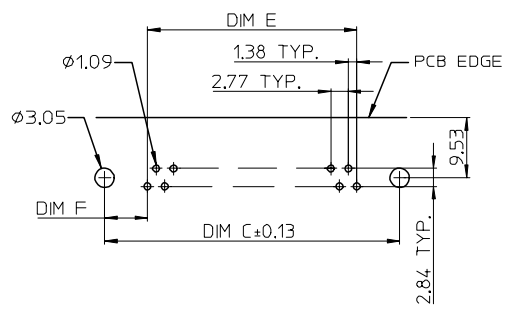
| CKT SIZE | DIM A | DIM C | DIM D | DIM E | DIM F |
|----------|-------|-------|-------|-------|-------|
| 9 | 30.81 | 24.99 | 16.33 | 11.07 | 6.96 |
| 15 | 39.14 | 33.32 | 24.66 | 19.38 | 6.97 |
| 25 | 53.04 | 47.04 | 38.38 | 33.22 | 6.91 |
| 37 | 69.32 | 63.50 | 54.84 | 49.83 | 6.84 |



- NOTE:
- MATERIAL:
 - HOUSING: POLYESTER GLASS FILLED,UL94-V0,COLOR:BLACK
 - TERMINAL :PHOSPHOR BRONZE
 - METAL SHELL: SPCC
 - BOARD LOCK: BRASS
 - SCREW: BRASS
 - PLATING:
 - TERMINAL:
 - CONTACT AREA: SEE PART NUMBER LEGEND
 - SOLDER TAIL: TIN(Sn), THICKNESS=100 MICREINCH MIN/2.54 MICROMETER MIN.
 - UNDER PLATE: NICKEL(Ni),THICKNESS=50 MICREINCH MIN/1.27 MICROMETER MIN.
 - METAL SHELL: TIN (Sn),THICKNESS=100 MICREINCH MIN/2.54 MICROMETER MIN.
 - UNDER PLATE: COPPER(Cu),THICKNESS=50 MICREINCH MIN/1.27 MICROMETER MIN.
 - BOARD LOCK: TIN (Sn),THICKNESS=100 MICREINCH MIN/2.54 MICROMETER MIN.
 - SCREW: NICKEL(Ni),THICKNESS=50 MICREINCH MIN/1.27 MICROMETER MIN.
 - RECOMMENDED PCB THICKNESS: 1.60 +/- 0.05mm
 - PRODUCT SPECIFICATION: REFER TO PS-48201-001
 - TEST SUMMARY: REFER TO TS-48201-001
 - PACKAGING SPECIFICATION: REFER TO PK-48201-001
 - LEAD FREE AND ROHS COMPLIANCE PRODUCT



RECOMMENDED PCB LAYOUT



PART NUMBER LEGEND

| CKT SIZE | GOLD PLATING | SCREW OPTION | |
|----------|--------------|--------------|---|
| 48201-6 | * | * | |
| 0:9 | | | 1:2 PCS #4-40 ROUND INNER THREAD SCREW RIVETTED |
| 1:15 | | | 2:FLUSH INSERT ONLY |
| 3:25 | | | 3:2 PCS #4-40 INNER THREAD SCREW ASSEMBLED |
| 4:37 | | | 4:2 PCS M2.6 INNER THREAD SCREW ASSEMBLED |
| 5:25 | | | 5:2 PCS M3 INNER THREAD SCREW ASSEMBLED |
| 6:2 | | | 6:2 PCS #4-40 HEX INNER THREAD SCREW ATTACHED |
| 7:2 | | | 7:2 PCS M2.6 INNER THREAD SCREW ATTACHED |
| 8:2 | | | 8:2 PCS M3 INNER THREAD SCREW ATTACHED |
| 4:30 | | | MICRO INCH MINIMUM GOLD IN CONTACT AREA |
| 5:15 | | | MICRO INCH MINIMUM GOLD IN CONTACT AREA |
| 6:6 | | | GOLD FLASH IN CONTACT AREA |

| | | | | | | | | | |
|--|---|-------------------------------|--|----|----------------------------|-------------------|--|---|------------------------|
| L/F FOR 87204-6*** EC NO: SHZ2005020898 | DRWN:JCHEN12 2005/04/29 CHKD: 2005/05/04 APPR:WWSCHANG 2005/05/04 | QUALITY SYMBOLS ▽=0 ∇=0 | GENERAL TOLERANCES (UNLESS SPECIFIED) | | DIMENSION STYLE MM ONLY | | SCALE 1:1 | DESIGN UNITS METRIC | THIRD ANGLE PROJECTION |
| | | | | mm | INCH | DRAWN BY LINDA | DATE 05/04/18 | TITLE STANDARD D-SUB FEMALE TYPE FORK BOARD LOCK (LEAD FREE VERSION) | |
| | | | 4 PLACES ± --- ± --- | | | | | | |
| | | | 3 PLACES ± --- ± --- | | | | | | |
| | | | 2 PLACES ± 0.25 ± --- | | | | | | |
| | | | 1 PLACE ± 0.25 ± --- | | | | | | |
| | | | ANGULAR ± 3 ° | | APPROVED BY WWSCHANG | | DATE 05/04/18 | MOLEX INCORPORATED | |
| | | | DRAFT WHERE APPLICABLE MUST REMAIN WITHIN DIMENSIONS | | MATERIAL NO. SEE TABLE | | DOCUMENT NO. SD-48201-001 | SHEET NO. 1 OF 1 | |
| | | | | | SIZE A4 | | THIS DRAWING CONTAINS INFORMATION THAT IS PROPRIETARY TO MOLEX INCORPORATED AND SHOULD NOT BE USED WITHOUT WRITTEN PERMISSION | | |