

**PLEASE CHECK WWW.MOLEX.COM FOR LATEST PART INFORMATION**

**Part Number:** [0460071104](#)  
**Status:** **Active**  
**Description:** 7.50mm (.295") Pitch Sabre™ Header, Single Row, Right Angle, 4 Circuits, PC Tail Length 3.81mm (.150"), without Snap-In Metal Pins, with Tin (Sn) Plating

**Documents:**

[3D Model](#) [Product Specification PSX-44441-9999 \(PDF\)](#)  
[Packaging Specification \(PDF\)](#) [RoHS Certificate of Compliance \(PDF\)](#)  
[Drawing \(PDF\)](#)

**Agency Certification**

UL E29179

**General**

Product Family PCB Headers  
 Series [46007](#)  
 Application Wire-to-Board  
 Comments Fully Polarized, Meets UL 1950 Finger Proof Standard  
 Product Literature Order No USA-113  
 Product Name Sabre™

**Physical**

Breakaway No  
 Circuits (Loaded) 4  
 Circuits (maximum) 4  
 Color - Resin Black  
 Durability (mating cycles max) 25  
 First Mate / Last Break No  
 Flammability 94V-0  
 Glow-Wire Compliant No  
 Guide to Mating Part No  
 Keying to Mating Part None  
 Lock to Mating Part Yes  
 Material - Metal Brass  
 Material - Plating Mating Tin  
 Material - Plating Termination Tin  
 Material - Resin High Temperature Thermoplastic  
 Number of Rows 1  
 Orientation Right Angle  
 PC Tail Length (in) 0.150 In  
 PC Tail Length (mm) 3.81 mm  
 PCB Locator No  
 PCB Retention Yes  
 PCB Thickness Recommended (in) 0.062 In  
 PCB Thickness Recommended (mm) 1.60 mm  
 Packaging Type Tray  
 Pitch - Mating Interface (in) 0.295 In  
 Pitch - Mating Interface (mm) 7.50 mm  
 Plating min: Mating (µin) 35  
 Plating min: Mating (µm) 0.88  
 Plating min: Termination (µin) 35  
 Plating min: Termination (µm) 0.88  
 Polarized to Mating Part Yes  
 Polarized to PCB Yes  
 Shrouded Fully  
 Stackable No

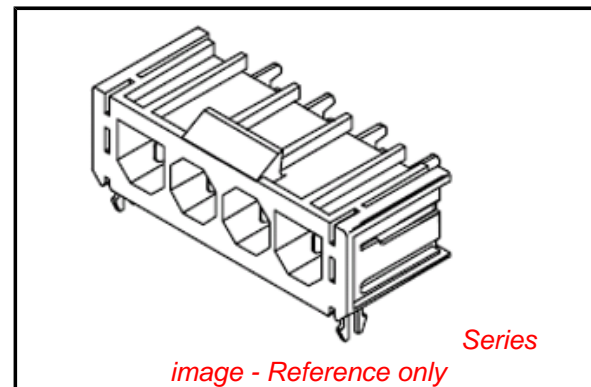


image - Reference only

**EU RoHS**

**ELV and RoHS Compliant**  
**REACH SVHC**  
 Not Reviewed  
**Halogen-Free Status**  
**Not Reviewed**

**China RoHS**



**Need more information on product environmental compliance?**

Email [productcompliance@molex.com](mailto:productcompliance@molex.com)  
 For a multiple part number RoHS Certificate of Compliance, [click here](#)

Please visit the [Contact Us](#) section for any non-product compliance questions.

**Search Parts in this Series**

[46007Series](#)

**Mates With**

[44441-2004](#)

Surface Mount Compatible (SMC)	No
Temperature Range - Operating	-40°C to +75°C
Termination Interface: Style	Through Hole

**Electrical**

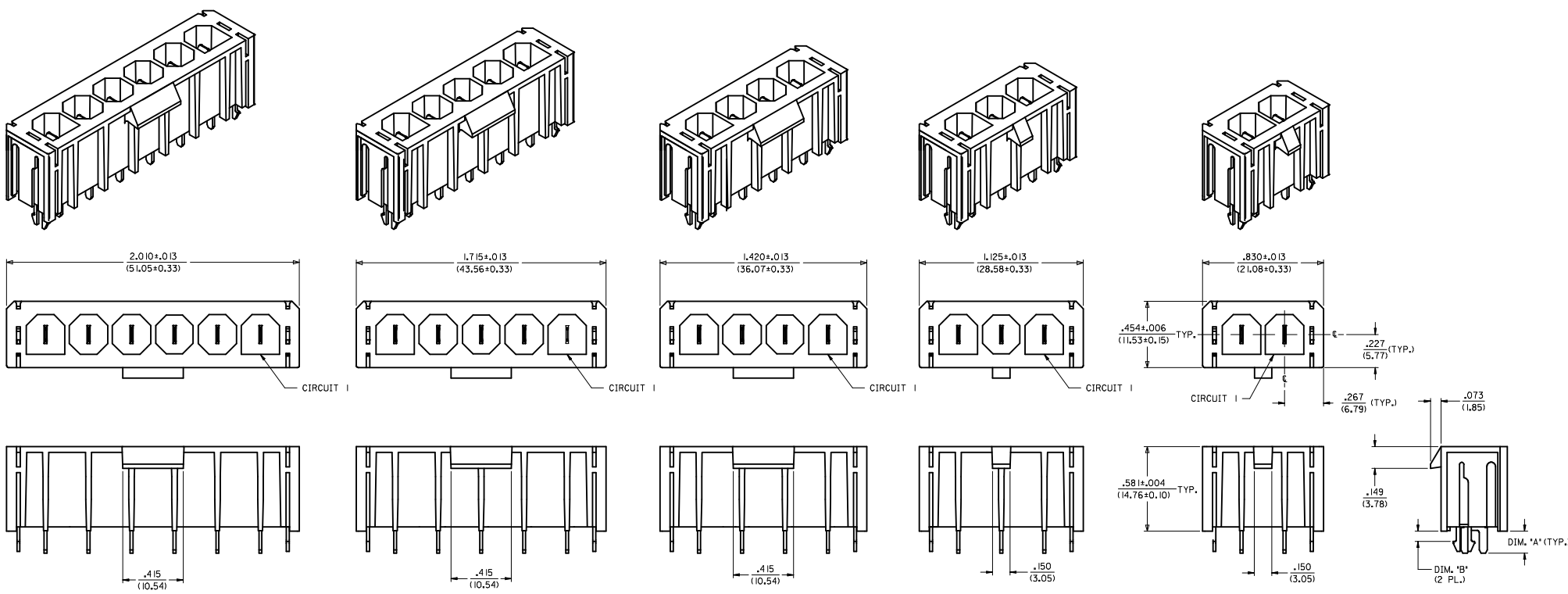
Current - Maximum per Contact	18A
Voltage - Maximum	600V

**Material Info****Reference - Drawing Numbers**

Product Specification	PSX-44441-9999
Sales Drawing	SD-46007-001

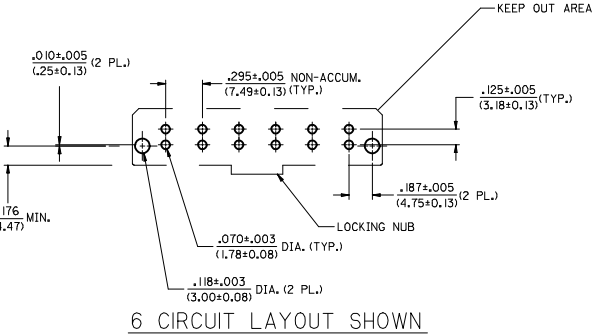
This document was generated on 04/21/2010

**PLEASE CHECK [WWW.MOLEX.COM](http://WWW.MOLEX.COM) FOR LATEST PART INFORMATION**



SEE SHEET 2 AND 3 FOR ITEM NUMBER CHART

**RECOMMENDED P.C. BOARD LAYOUT FOR VERTICAL HEADERS**  
SCALE 2:1



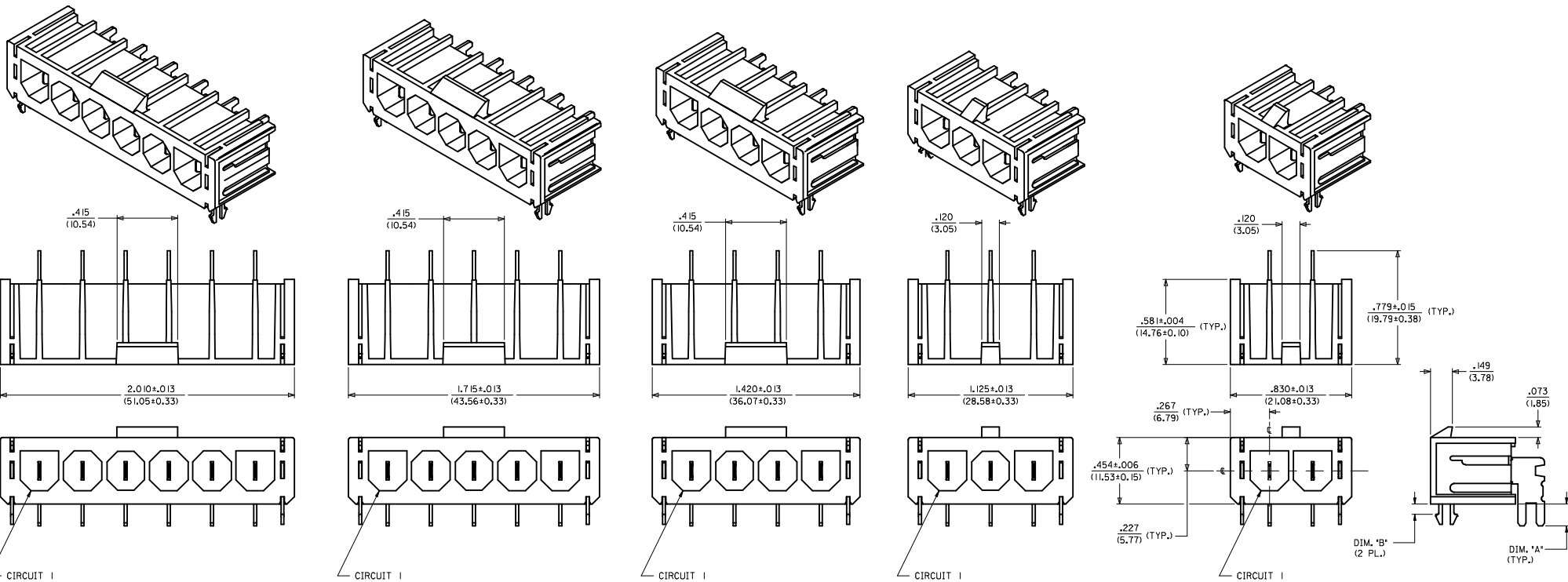
**NOTES:**

- INSULATOR MATERIAL (SEE CHART):  
A = 30% GLASS FILLED 46 NYLON, 94V-0, COLOR: BLACK.  
TERMINAL MATERIAL: C26000 BRASS
- TERMINAL FINISH: 35 MICROINCH (0.88 MICROMETER) MINIMUM TIN OVER 20 MICROINCH (0.50 MICROMETER) MINIMUM COPPER.  
\* THE PRIMARY SHIPPING CARTON WILL BE LABELED "COMPLIANT TO RoHS DIRECTIVE 2002/95/EC AND ELV ANNEX II OF DIRECTIVE 2000/53/EC." CARTONS WITHOUT THIS LABEL MAY CONTAIN PRODUCT WITH TIN-LEAD IN THE PC TAILS.
- PRODUCT SPECIFICATION: PSX-44441-9999.
- PACKAGING: SEE CHART.
- THESE HEADERS MATE WITH 43179, 43335, OR 44441 RECEPTACLE HOUSINGS.
- UL 1950 COMPLIANT 46007 SERIES HEADERS ARE SIMILAR TO STANDARD LINE 43160 SERIES HEADERS EXCEPT HAVING TERMINALS WHICH ARE RECESSED MORE TO ALLOW HEADERS TO MEET UL 1950 PROBE REQUIREMENTS.
- SEE SHEETS 1, 2 AND 3 FOR VERTICAL HEADER ASSEMBLY AND THEIR RESPECTIVE PART NUMBERS.
- SEE SHEETS 4, 5 AND 6, FOR RIGHT ANGLE HEADER ASSEMBLIES AND THEIR RESPECTIVE PART NUMBERS.
- TERMINALS ARE ON .295/(7.49) CENTERLINE SPACING.
- DIMENSIONS ARE FOR REFERENCE ONLY, UNLESS INDICATED OTHERWISE.

SOLDER TAIL	DIM. "A" ±.020/(0.51)
SHORT	.150/(3.81)
LONG	.210/(5.33)

BOARD LOCK	DIM. "B" ±.004/(0.15)
.062	.070/(1.78)
.094	.102/(2.59)
.125	.133/(3.38)

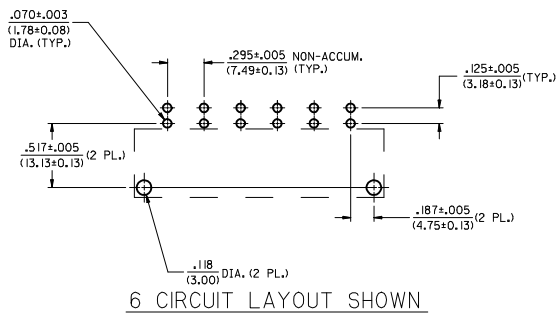
<p><b>REMOVE 94V-2 MATL</b> EC NO: UCP2009-0067 DRAWN: KOSTER/ESTER/2009/03/05 CHKD: AEL/HAG 2009/03/05 APPR: FSW/TH 2009/03/05</p>	<p>QUALITY SYMBOLS  </p>	<p>GENERAL TOLERANCES (UNLESS SPECIFIED)</p> <table border="1"> <thead> <tr> <th></th> <th>mm</th> <th>INCH</th> </tr> </thead> <tbody> <tr> <td>4 PLACES</td> <td>±.005</td> <td>±.005</td> </tr> <tr> <td>3 PLACES</td> <td>±.01</td> <td>±.01</td> </tr> <tr> <td>2 PLACES</td> <td>±.013</td> <td>±.01</td> </tr> <tr> <td>1 PLACE</td> <td>±.025</td> <td>±.01</td> </tr> </tbody> </table> <p>ANGULAR ±1/2°</p>		mm	INCH	4 PLACES	±.005	±.005	3 PLACES	±.01	±.01	2 PLACES	±.013	±.01	1 PLACE	±.025	±.01	<p>DIMENSION STYLE <b>IN/MM</b></p> <p>SCALE <b>3:1</b></p> <p>DESIGN UNITS <b>INCH</b></p> <p>THIRD ANGLE PROJECTION</p>
		mm	INCH															
	4 PLACES	±.005	±.005															
	3 PLACES	±.01	±.01															
2 PLACES	±.013	±.01																
1 PLACE	±.025	±.01																
<p>DRAFT WHERE APPLICABLE MUST REMAIN WITHIN DIMENSIONS</p>	<p>DRAWN BY <b>CSTEWART</b></p> <p>CHECKED BY</p> <p>DATE <b>04/28/05</b></p>	<p>TITLE <b>SABRE HEADER ASSY VERTICAL, 2-6 &amp; 8 CIR. UL 1950 COMPLIANT</b></p>	<p>MATERIAL NO. <b>SEE CHART</b></p> <p>DOCUMENT NO. <b>SD-46007-001</b></p>															
<p>REVISIONS</p>	<p>APPROVED BY</p> <p>DATE</p>	<p><b>MOLEX INCORPORATED</b></p>	<p>SHEET NO. <b>1 OF 6</b></p>															
<p>THIS DRAWING CONTAINS INFORMATION THAT IS PROPRIETARY TO MOLEX INCORPORATED AND SHOULD NOT BE USED WITHOUT WRITTEN PERMISSION</p>	<p>SIZE <b>D</b></p>	<p>DATE</p>	<p>DATE</p>															



SEE SHEET 5 AND 6 FOR ITEM NUMBER CHART

**RECOMMENDED P.C. BOARD LAYOUT FOR RIGHT ANGLE HEADERS**

SCALE 2:1



6 CIRCUIT LAYOUT SHOWN

**NOTES:**

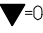
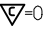


- INSULATOR MATERIAL (SEE CHART)  
A = 30% GLASS-FILLED 46 NYLON-0, COLOR: BLACK  
TERMINAL MATERIAL: C26000 BRASS
- TERMINAL FINISH: 35 MICROINCH (0.88 MICROMETER) MINIMUM TIN OVER  
20 MICROINCH (0.50 MICROMETER) MINIMUM COPPER.  
\* THE PRIMARY SHIPPING CARTON WILL BE LABELED "COMPLIANT TO RoHS DIRECTIVE 2002/95/EC AND ELV ANNEX II OF DIRECTIVE 2000/53/EC." CARTONS WITHOUT THIS LABEL MAY CONTAIN PRODUCT WITH TIN-LEAD IN THE PC TAILS.
- PRODUCT SPECIFICATION: PSX-44441-9999.
- PACKAGING: SEE CHART.
- THESE HEADERS MATE WITH 43179, 43335, OR 44441 RECEPTACLE HOUSINGS.
- UL 1950 COMPLIANT 46007 SERIES HEADERS ARE SIMILAR TO STANDARD LINE 43160 SERIES HEADERS EXCEPT HAVING TERMINALS WHICH ARE RECESSED MORE TO ALLOW HEADERS TO MEET UL 1950 PROBE REQUIREMENTS.
- SEE SHEETS 1, 2 AND 3 FOR VERTICAL HEADER ASSEMBLIES AND THEIR RESPECTIVE PART NUMBERS.
- SEE SHEETS 4, 5 AND 6 FOR RIGHT ANGLE HEADER ASSEMBLIES AND THEIR RESPECTIVE PART NUMBERS.
- TERMINALS ARE ON .295/(7.49) CENTERLINE SPACING.
- DIMENSIONS ARE FOR REFERENCE ONLY, UNLESS INDICATED OTHERWISE.

SOLDER TAIL	DIM. 'A' ±.01/(0.28)
SHORT	.150/(3.81)
LONG	.210/(5.33)

BOARD LOCK	DIM. 'B' ±.004/(0.10)
.062	.070/(1.78)
.094	.102/(2.59)
.125	.133/(3.38)

REMOVE 94V-2 MATL EC NO. UCP2009-0067 DRAWN BY: J.KOSTER 2009/03/05 CHECKED BY: CHYKDAELHAG 2009/03/05 APPROVED BY: SMITH 2009/03/05	QUALITY SYMBOLS	GENERAL TOLERANCES (UNLESS SPECIFIED)	DIMENSION STYLE	SCALE	DESIGN UNITS	THIRD ANGLE PROJECTION	
	▽=0 ▽=0	mm INCH 4 PLACES ± --- ± --- 3 PLACES ± --- ± .005 2 PLACES ± 0.13 ± .01 1 PLACE ± 0.25 ± --- ANGULAR ±1/2°	IN/MM 3:1	INCH	DATE 04/29/05	TITLE SABRE HEADER ASSY RT. ANGLE, 2-6 & 8 CIR. UL 1950 COMPLIANT	MOLEX INCORPORATED
	DRAFT WHERE APPLICABLE MUST REMAIN WITHIN DIMENSIONS	MATERIAL NO. SEE CHART	DATE DATE	DOCUMENT NO. SD-46007-001	SHEET NO. 4 OF 6	THIS DRAWING CONTAINS INFORMATION THAT IS PROPRIETARY TO MOLEX INCORPORATED AND SHOULD NOT BE USED WITHOUT WRITTEN PERMISSION	
	SIZE D						

	20	19	18	17	16	15	14	13	12	11	10	9	8	7	6	5	4	3	2	1						
M	RT. ANGLE HEADER ASSEMBLY ITEM NO.	PART CHARACTERISTICS FOR RIGHT ANGLE HEADER				PACKAGING SPECIFICATIONS	RT. ANGLE HEADER ASSEMBLY ITEM NO.	PART CHARACTERISTICS FOR RIGHT ANGLE HEADER				PACKAGING SPECIFICATIONS	RT. ANGLE HEADER ASSEMBLY ITEM NO.	PART CHARACTERISTICS FOR RIGHT ANGLE HEADER				PACKAGING SPECIFICATIONS								
		CIRCUIT SIZE	HSG. MAT'L (SEE NOTE 1)	SOLDER TAIL	BOARD LOCK			CIRCUIT SIZE	HSG. MAT'L (SEE NOTE 1)	SOLDER TAIL	BOARD LOCK			CIRCUIT SIZE	HSG. MAT'L (SEE NOTE 1)	SOLDER TAIL	BOARD LOCK									
		46007-1102	2	A	SHORT			N/A	PK-43160-0010	46007-1104	4			A	SHORT	N/A	PK-43160-0010			46007-1106	6	A	SHORT	N/A	PK-43160-0010	
		46007-1302	2	A	LONG			N/A	PK-43789-001	46007-1304	4			A	LONG	N/A	PK-43789-001			46007-1306	6	A	LONG	N/A	PK-43789-001	
		46007-3102	2	A	SHORT			.062	PK-43789-001	46007-3104	4			A	SHORT	.062	PK-43789-001			46007-3106	6	A	SHORT	.062	PK-43789-001	
	L	RT. ANGLE HEADER ASSEMBLY ITEM NO.	PART CHARACTERISTICS FOR RIGHT ANGLE HEADER				PACKAGING SPECIFICATIONS	RT. ANGLE HEADER ASSEMBLY ITEM NO.	PART CHARACTERISTICS FOR RIGHT ANGLE HEADER				PACKAGING SPECIFICATIONS	RT. ANGLE HEADER ASSEMBLY ITEM NO.	PART CHARACTERISTICS FOR RIGHT ANGLE HEADER					PACKAGING SPECIFICATIONS						
			CIRCUIT SIZE	HSG. MAT'L (SEE NOTE 1)	SOLDER TAIL	BOARD LOCK			CIRCUIT SIZE	HSG. MAT'L (SEE NOTE 1)	SOLDER TAIL	BOARD LOCK			CIRCUIT SIZE	HSG. MAT'L (SEE NOTE 1)	SOLDER TAIL	BOARD LOCK								
			46007-5102	2	A	SHORT			.094	PK-43789-001	46007-5104	4			A	LONG	.094	PK-43789-001			46007-5106	6	A	SHORT	.094	PK-43789-001
			46007-5302	2	A	LONG			.094	PK-43789-001	46007-5304	4			A	LONG	.125	PK-43789-001			46007-5306	6	A	LONG	.094	PK-43789-001
			46007-7302	2	A	LONG			.125	PK-43789-001	46007-7304	5			A	SHORT	N/A	PK-43160-0010			46007-7306	6	A	LONG	.125	PK-43789-001
K		RT. ANGLE HEADER ASSEMBLY ITEM NO.	PART CHARACTERISTICS FOR RIGHT ANGLE HEADER				PACKAGING SPECIFICATIONS	RT. ANGLE HEADER ASSEMBLY ITEM NO.	PART CHARACTERISTICS FOR RIGHT ANGLE HEADER				PACKAGING SPECIFICATIONS	RT. ANGLE HEADER ASSEMBLY ITEM NO.	PART CHARACTERISTICS FOR RIGHT ANGLE HEADER				PACKAGING SPECIFICATIONS							
			CIRCUIT SIZE	HSG. MAT'L (SEE NOTE 1)	SOLDER TAIL	BOARD LOCK			CIRCUIT SIZE	HSG. MAT'L (SEE NOTE 1)	SOLDER TAIL	BOARD LOCK			CIRCUIT SIZE	HSG. MAT'L (SEE NOTE 1)	SOLDER TAIL	BOARD LOCK								
			46007-1103	3	A	SHORT			N/A	PK-43160-0010	46007-1105	5			A	LONG	N/A	PK-43789-001		46007-1305	5	A	LONG	.062	PK-43789-001	
			46007-1303	3	A	LONG			N/A	PK-43789-001	46007-1305	5			A	SHORT	.062	PK-43789-001		46007-1305	5	A	SHORT	.094	PK-43789-001	
			46007-3103	3	A	SHORT			.062	PK-43789-001	46007-3105	5			A	SHORT	.094	PK-43789-001		46007-5105	5	A	LONG	.094	PK-43789-001	
	J	RT. ANGLE HEADER ASSEMBLY ITEM NO.	PART CHARACTERISTICS FOR RIGHT ANGLE HEADER				PACKAGING SPECIFICATIONS	RT. ANGLE HEADER ASSEMBLY ITEM NO.	PART CHARACTERISTICS FOR RIGHT ANGLE HEADER				PACKAGING SPECIFICATIONS	RT. ANGLE HEADER ASSEMBLY ITEM NO.	PART CHARACTERISTICS FOR RIGHT ANGLE HEADER				PACKAGING SPECIFICATIONS							
			CIRCUIT SIZE	HSG. MAT'L (SEE NOTE 1)	SOLDER TAIL	BOARD LOCK			CIRCUIT SIZE	HSG. MAT'L (SEE NOTE 1)	SOLDER TAIL	BOARD LOCK			CIRCUIT SIZE	HSG. MAT'L (SEE NOTE 1)	SOLDER TAIL	BOARD LOCK								
			46007-5103	3	A	SHORT			.094	PK-43789-001	46007-5105	5			A	LONG	.125	PK-43789-001		46007-5305	5	A	LONG	.125	PK-43789-001	
			46007-5303	3	A	LONG			.094	PK-43789-001	46007-5305	5			A	LONG	.125	PK-43789-001		46007-7305	5	A	LONG	.125	PK-43789-001	
			46007-7303	3	A	LONG			.125	PK-43789-001																

<b>REMOVE 94V-2 P/NS</b> IEC NO: UCF2009-0067 DRAWN: JKOSTEMER 2009/03/05 CHYKDAELHAG 2009/03/05 APPR:FSM TH 2009/03/05	<b>QUALITY SYMBOLS</b>  = 0  = 0	<b>GENERAL TOLERANCES (UNLESS SPECIFIED)</b>		<b>DIMENSION STYLE</b> IN/MM	<b>SCALE</b> 1:1	<b>DESIGN UNITS</b> INCH	 <b>THIRD ANGLE PROJECTION</b>		
		4 PLACES ± --- ± --- 3 PLACES ± --- ± .005 2 PLACES ± 0.13 ± .01 1 PLACE ± 0.25 ± ---	mm      INCH	DRAWN BY C STEWART      04/29/05 DATE	CHECKED BY DATE	<b>TITLE</b> SABRE HEADER ASSY RT. ANGLE, 2-6 & 8 CIR. UL 1950 COMPLIANT			
		DRAFT WHERE APPLICABLE MUST REMAIN WITHIN DIMENSIONS		APPROVED BY DATE	MATERIAL NO. <b>SEE CHART</b>	DOCUMENT NO. SD-46007-001	 <b>MOLEX INCORPORATED</b>		
				SIZE D	THIS DRAWING CONTAINS INFORMATION THAT IS PROPRIETARY TO MOLEX INCORPORATED AND SHOULD NOT BE USED WITHOUT WRITTEN PERMISSION				