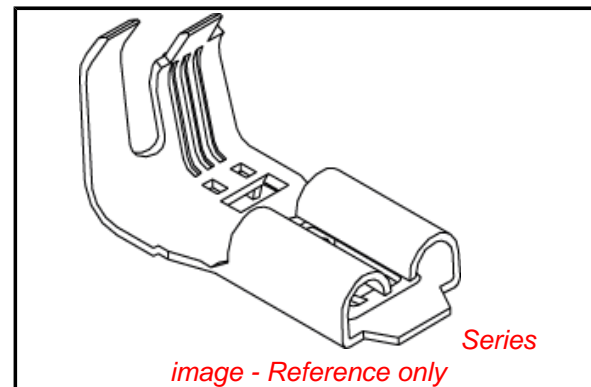


PLEASE CHECK WWW.MOLEX.COM FOR LATEST PART INFORMATION

Part Number: [0350689802](#)
Status: **Active**
Description: MP-Lock™ Quick Disconnect, Female, for 16-20 AWG (1.31-0.52mm²), Metal Strip, Tab 4.75 by 0.50mm (.187 by .020"), Pre-Tin Plated, Insertion Force 1.0-2.2kgf (9.8-21.6N)

Documents:

Drawing (PDF)	Product Specification PS-35817-001 (PDF)
Product Specification PS-35189-001 (PDF)	Product Specification PS-68416-001 (PDF)
Product Specification PS-35189-004 (PDF)	RoHS Certificate of Compliance (PDF)
Product Specification PS-35194-001 (PDF)	



Agency Certification

CSA	LR95446
UL	E92853

General

Product Family	Quick Disconnects
Series	35068
Crimp Quality Equipment	Yes
Product Name	MP-Lock™
Type	Quick Disconnect

Physical

Barrel Type	Open
Gender	Female
Glow-Wire Compliant	No
Insulation	None
Lock to Mating Part	Yes
Material - Metal	Brass
Material - Plating Mating	Tin
Material - Plating Termination	Tin
Orientation	Straight
Packaging Type	Reel
Plating min: Mating (µin)	32.00
Plating min: Mating (µm)	0.800
Plating min: Termination (µin)	32.00
Plating min: Termination (µm)	0.80
Polarized to Mating Part	Yes
Tab Thickness	0.51mm (.020")
Tab Width	4.75mm (.187")
Temperature Range - Operating	-40°C to +105°C
Termination Interface: Style	Crimp or Compression
Wire Insulation Diameter	3.40mm (.134") max.
Wire Size AWG	16, 18, 20
Wire Size mm ²	0.50 - 1.30

Electrical

Voltage - Maximum	300V
-------------------	------

Material Info

Reference - Drawing Numbers

Product Specification	PS-35189-001, PS-35189-004, PS-35194-001, PS-35817-001, PS-68416-001, RPS-35068-001, RPS-35189-002
Sales Drawing	SD-35068-980

EU RoHS

ELV and RoHS Compliant
REACH SVHC Contains SVHC: No
Halogen-Free Status

China RoHS



Need more information on product environmental compliance?

Email productcompliance@molex.com
 For a multiple part number RoHS Certificate of Compliance, [click here](#)

Please visit the [Contact Us](#) section for any non-product compliance questions.

Search Parts in this Series

35068Series

Use With

35189 , 35817 , 35961

Application Tooling | FAQ

Tooling specifications and manuals are found by selecting the products below. Crimp Height Specifications are then contained in the Application Tooling Specification document.

Global

Description	Product #
Mini-Mac™ Applicator	0638014300

Japan

Description	Product #
End-Feed Applicator	0573663100

This document was generated on 04/15/2010

PLEASE CHECK WWW.MOLEX.COM FOR LATEST PART INFORMATION

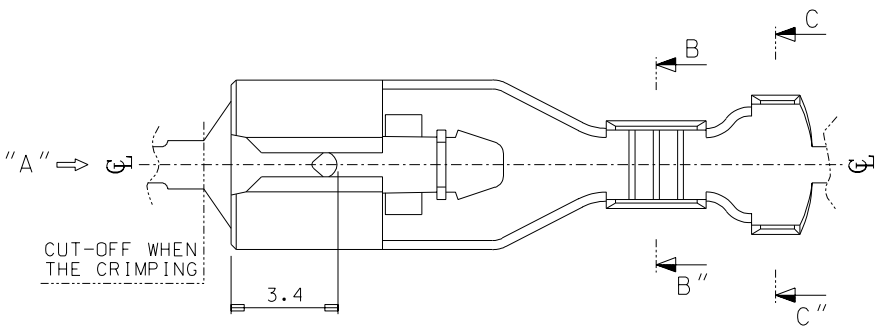
DO NOT SCALE DRAWING
DIMENSION IN METRIC

C

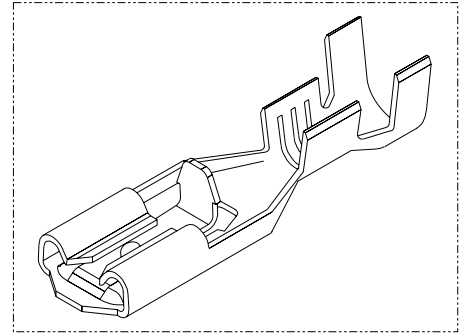
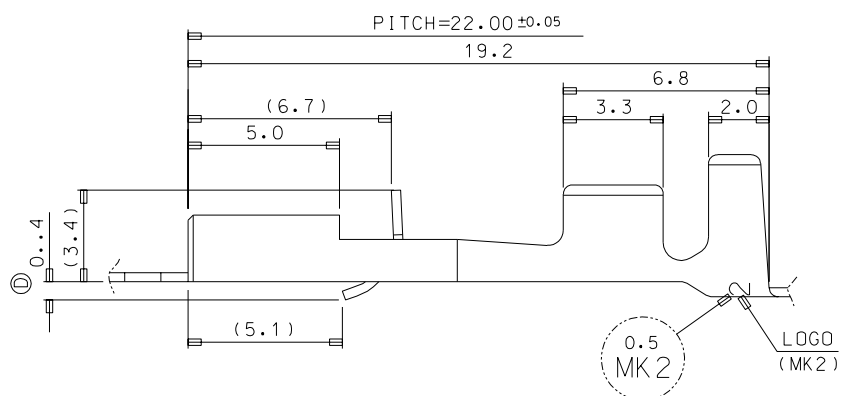
PROJECT NO.
.187 MP-LOCK CONN'

SIMILAR ITEM

DWG. NO.
SD-35068-980



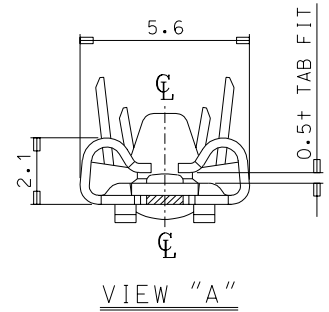
CUT-OFF WHEN
THE CRIMPING



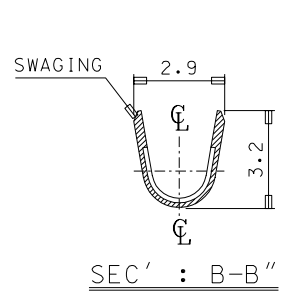
ISOMETRIC VIEW

- NOTES
1. MATERIAL : BRASS, 0.30 mm THICKNESS
 2. FINISH : PRE-PLATED TIN
 3. MATING TAB THICKNESS : 0.50 mm
 4. RECOMMENDED LENGTH OF WIRE STRIP IS 4.4-5.0mm.
 5. APPLICABLE WIRE : AWG #20-#16
INSULATION DIA. : ϕ 1.9-3.4mm

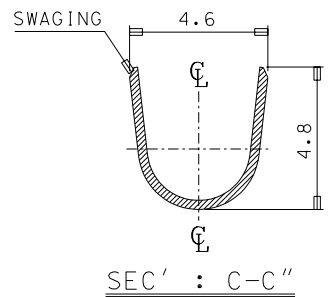
MATERIAL NO.	ENG NO.	REMARK
350689802	35068-9802	HIGH TENSION VERSION
350689842	35068-9842	LOW TENSION VESION



VIEW "A"



SEC' : B-B''



SEC' : C-C''

REVISED	EC NO. KOR 2003-0004 DRWN: C.B.CHIN 02/07/05 CHK: W.Y. YANG APPR: C.W.LEE	DESCRIPTION	QUALITY SYMBOLS MAJOR \blacktriangledown = 0 CRITICAL \blacktriangledown = 0	GENERAL TOLERANCES: (UNLESS SPECIFIED)		SCALE	DESIGN UNITS	THIRD ANGLE PROJECTION	DIMENSIONS:		SHT	REV
				mm	INCH	6/1	<input checked="" type="checkbox"/> mm <input type="checkbox"/> INCH		<input type="checkbox"/> mm <input type="checkbox"/> INCH	<input checked="" type="checkbox"/> mm ONLY		REVISE ON CAD ONLY
F	REV	DESCRIPTION	QUALITY SYMBOLS	4 PLACES	$\pm 0.$	\pm	DRAWN BY & DATE J. S. KANG 97/12/02	CHECKED BY & DATE B. K. CHOI	TITLE: .187 MP-LOCK TM'L(M) (0.5+ TAB FIT)			
				3 PLACES	$\pm 0.$	\pm						
				2 PLACES	± 0.2	\pm			APPROVED BY & DATE C. W. LEE	MATERIAL NO. SEE CHART		DRAWING NO. SD-35068-980
ANGULAR: $\pm 1^\circ$				DRAFT WHERE APPLICABLE MUST REMAIN WITHIN DIMENSIONS				THIS DRAWING CONTAINS INFORMATION THAT IS PROPRIETARY TO MOLEX INCORPORATED AND SHOULD NOT BE USED WITHOUT WRITTEN PERMISSION.				

MX-A3