

PLEASE CHECK WWW.MOLEX.COM FOR LATEST PART INFORMATION

Part Number: **0190750023**
Status: **Active**
Description: InsulKrimp™ Steel Star Ring Tongue Terminal for 14-16 AWG Wire, Stud Size 10

Documents:

[Drawing \(PDF\)](#) [RoHS Certificate of Compliance \(PDF\)](#)

Agency Certification

CSA LR18689
 UL E32244

General

Product Family Ring and Spade Terminals
 Series 19075
 Crimp Quality Equipment Yes
 Mil-Spec N/A
 Product Name InsulKrimp™
 Type Ring

Physical

Barrel Type Closed
 Color - Resin Natural
 Flammability 94V-2
 Insulation PVC
 Material - Plating Mating Tin
 Packaging Type Bag
 Stud Size 10 (M5)
 Wire Insulation Diameter 4.45mm (.175")
 Wire Size AWG 14, 16
 Wire Size mm² 1.00 - 2.60

Material Info

Old Part Number SRB-S-229-10X

Reference - Drawing Numbers

Sales Drawing CD2115

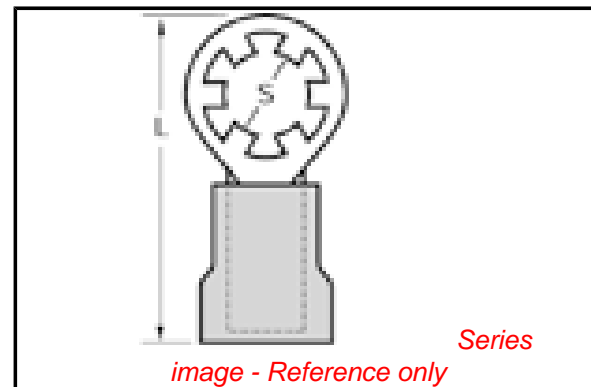


image - Reference only

EU RoHS

ELV and RoHS Compliant
REACH SVHC
 Not Reviewed
Halogen-Free Status
 Not Reviewed

China RoHS



Need more information on product environmental compliance?

Email productcompliance@molex.com
 For a multiple part number RoHS Certificate of Compliance, [click here](#)

Please visit the [Contact Us](#) section for any non-product compliance questions.

Search Parts in this Series

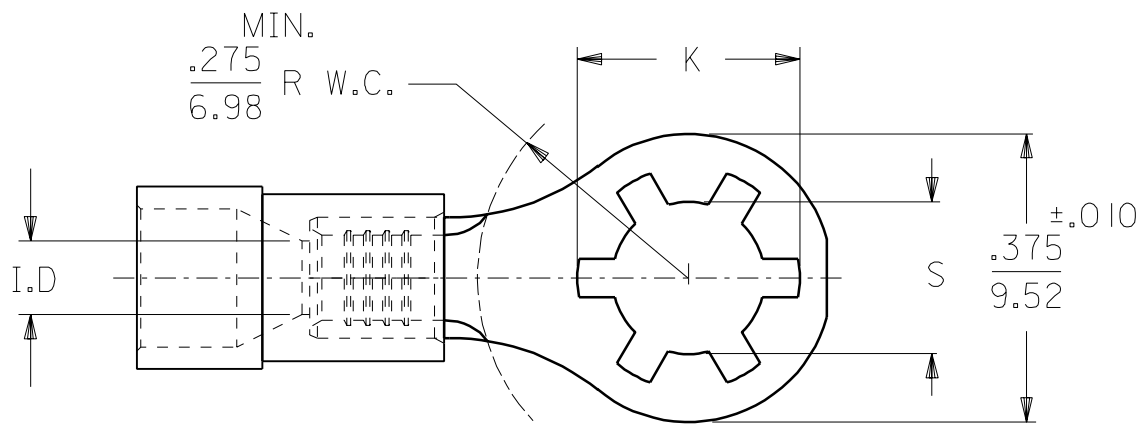
[19075Series](#)

Application Tooling | [FAQ](#)

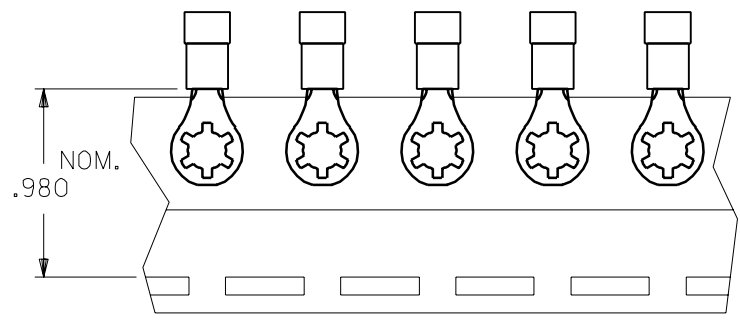
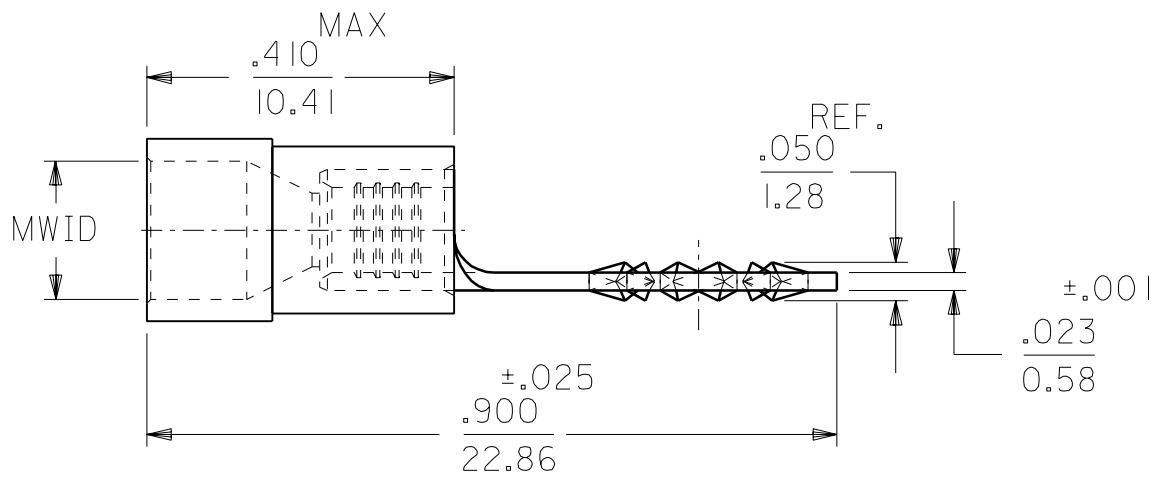
Tooling specifications and manuals are found by selecting the products below. Crimp Height Specifications are then contained in the Application Tooling Specification document.

Global

Description	Product #
Hand Crimp Tool	0640011900
Crimp Head for the AT-200™ Pneumatic Hand Tool	0640051900



STUD SIZE	±.007 "S" DIA.	REF. "K" DIA.
#6	.146	.236
#8	.173	.263
#10	.198	.288



TO ORDER PARTS ON TAPE ADD A "T" TO THE END OF THE PART NUMBER

INSULATION MATERIAL: PVC
 INSULATION COLOR: SEE TABLE
 TERMINAL MATERIAL: SEE CHART
 TERMINAL PLATING: ELECTRO-TIN

MWID=MAXIMUM WIRE INSULATION DIAMETER

PART NO. BRASS	PART NO. STEEL	WIRE RANGE AWG / MM ²	INSULATION COLOR	I.D. MIN.	MWID *
SRA-229-	SRA-S-229-	22-18/.25-1.3	RED	.062/1.57	.145/3.68
SRB-229-	SRB-S-229-	16-14/1.0-2.6	BLUE	.086/2.18	.175/4.42

A	SEE DCN# 764 10/07/91 RCM
LTR.	REVISIONS

REVISE ONLY ON CAD SYSTEM
 TITLE
 INSULKRIMP
 STAR RING TONGUE
 TERMINALS

**CUSTOMER
DRAWING**

DRWG. BY RCM	molex ETC INC. PINELLAS PARK, FLA. 34665 U.S.A.	SHEET NO.	DATE
CHK'D. BY JM			09/05/91
APP'D. BY FP	PART NO. SEE TABLE	DRWG. NO. CD-2115	
SCALE NO:NE	FILE NAME CD2115	THIS DRAWING CONTAINS INFORMATION THAT IS PROPRIETARY TO MOLEX-ETC INC. AND SHOULD NOT BE USED WITHOUT WRITTEN PERMISSION.	DIV. SIZE A