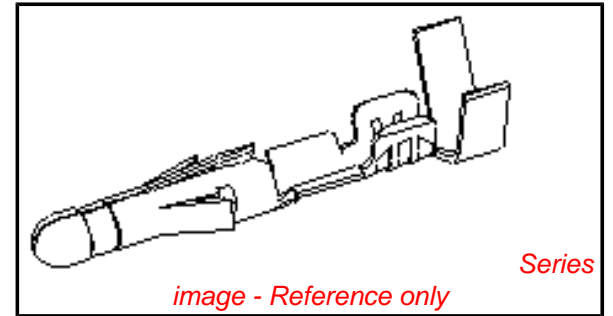


PLEASE CHECK WWW.MOLEX.COM FOR LATEST PART INFORMATION

Part Number: [0002092101](#)
Status: **Active**
Overview: [standard_093](#)
Description: 2.36mm (.093") Diameter, Standard .093" Pin and Socket Crimp Terminal, Series 1190, Male, with Tin (Sn) Plated Brass Contact, 14-20 AWG, Reel

Documents:

Drawing (PDF)	Product Specification PS-43660-9999 (PDF)
Product Specification PS-02-09 (PDF)	RoHS Certificate of Compliance (PDF)



General

Product Family	Crimp Terminals
Series	1190
Crimp Quality Equipment	Yes
Overview	standard_093
Product Name	Standard .093"
Physical	
Durability (mating cycles max)	25
Gender	Male
Material - Metal	Brass
Material - Plating Mating	Tin
Material - Plating Termination	Tin
Packaging Type	Reel
Plating min: Mating (µin)	20
Plating min: Mating (µm)	0.50
Plating min: Termination (µin)	20
Plating min: Termination (µm)	0.50
Termination Interface: Style	Crimp or Compression
Wire Insulation Diameter	1.65-4.06mm (.065-.160")
Wire Size AWG	14, 16, 18, 20
Wire Size mm ²	N/A

Material Info

Old Part Number 1190-(P901)

Reference - Drawing Numbers

Packaging Specification	PK-1190-001
Product Specification	PS-02-09, PS-43660-9999
Sales Drawing	SD-1190-*

EU RoHS

ELV and RoHS Compliant
REACH SVHC Contains SVHC: No

China RoHS



Halogen-Free Status

Halogen-Free

Need more information on product environmental compliance?

Email productcompliance@molex.com
 For a multiple part number RoHS Certificate of Compliance, [click here](#)

Please visit the [Contact Us](#) section for any non-product compliance questions.

Search Parts in this Series

[1190Series](#)

Use With

[1619](#) Plug or Receptacle Housing, [1545](#) Plug or Receptacle Housing, [1396](#) Plug or Receptacle Housing, [1490](#) Plug or Receptacle Housing, [2629](#) Plug or Receptacle Crimp Housings, [1261](#) Plug or Receptacle Housing, [1292](#) Plug or Receptacle Housing, [1360](#) Plug or Receptacle Housing, [1375](#) Plug or Receptacle Housing, [3191](#) Plug or Receptacle Housing, [2163](#) Plug or Receptacle Housings

Application Tooling | [FAQ](#)

Tooling specifications and manuals are found by selecting the products below. Crimp Height Specifications are then contained in the Application Tooling Specification document.

Global

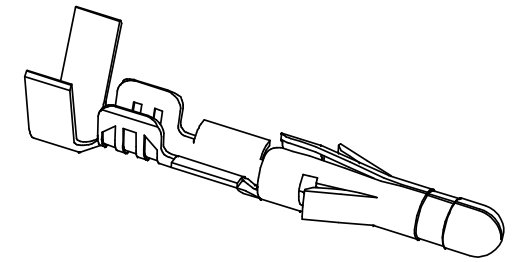
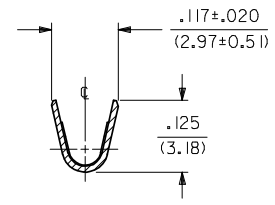
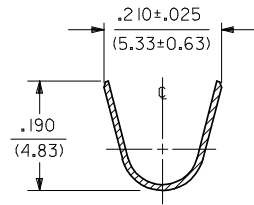
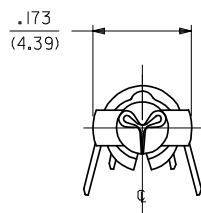
Description	Product #
Mini-Mac™ Applicator	0638927100

Mini-Mac™	<u>0638927300</u>
Applicator	
Insertion Tool	<u>0011020003</u>
Extraction Tool	<u>0011030006</u>
Terminator Die	<u>0011402001</u>
Hand Crimper -	<u>0638111000</u>
DISTRIBUTION	
ONLY	

This document was generated on 05/17/2010

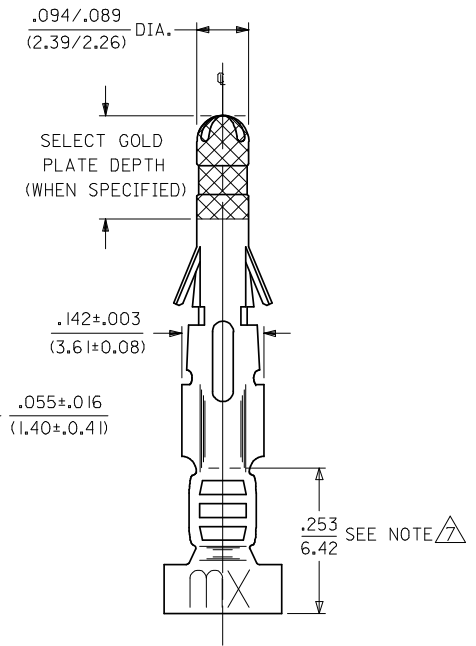
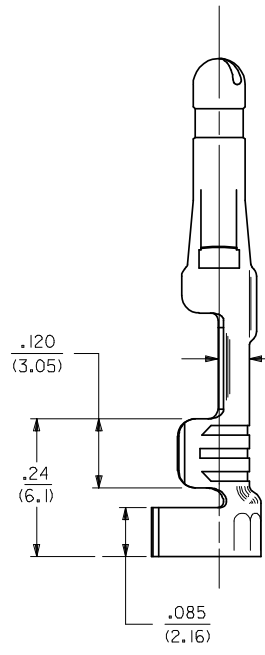
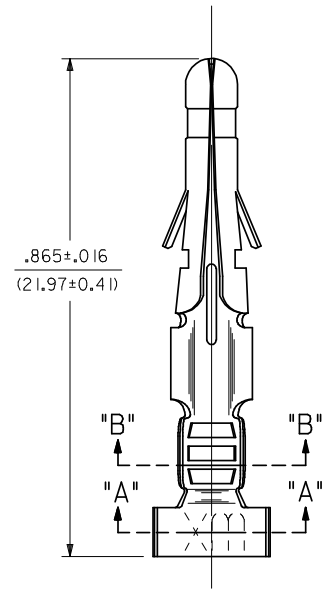
PLEASE CHECK WWW.MOLEX.COM FOR LATEST PART INFORMATION

PART NO.	ENG. NO.
02-09-2103	1190-(P901)L
02-09-2101	1190-(P901)
02-09-6110	1190-(591)L
02-09-6101	1190-(591)
02-09-6106	1190-(550)L
02-09-6100	1190-(550)



SECT. "A-A"

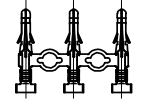
SECT. "B-B"



- NOTES:
- MATERIAL:
CARTRIDGE BRASS
 - FINISH CODES:
901 HOT TIN DIP .000020/(0.00051) MIN.
591 SELECT GOLD PLATE .000050/(0.00127) MIN. IN CONTACT AREA,
OVER .000050/(0.00127) MIN. NICKEL OVERALL
WITH .000010/(0.00025) MAX. GOLD FLASH OVERALL.
550 SELECT GOLD PLATE .000015/(0.00038) MIN. IN CONTACT AREA,
OVER .000030/(0.00076) MIN. NICKEL OVERALL
WITH .000010/(0.00025) MAX. GOLD FLASH OVERALL.
 - PRODUCT SPECIFICATION: PS-43660-9999
 - PACKAGING SPECIFICATION: PK-1190-001
 - INSERTION FORCE: 3.5 LBS. MAX. WHEN TERMINAL IS INSERTED INTO .093 SERIES HOUSING.
 - RETENTION: 20 LBS. MIN. FROM HOUSING.
 - DIMENSION FROM THE END OF THE TERMINAL TO THE END OF THE BRUSH ON THE WIRE CRIMPED INTO THE TERMINAL.
 - TERMINAL FOR USE WITH .093/(2.36) SERIES HOUSINGS AND WILL ACCEPT 14 THRU 20 AWG WIRE.

LEGEND

1190-(****)*
 P=PREPLATE
 BLANK=POSTPLATE
 FORM
 BLANK=CHAIN
 L=LOOSE
 FINISH CODE



CHAIN FORM FULL SCALE

ADD PK SPEC EC NO: UCP2009-0180 DRWG:GAVRILL 2008/08/15 CHKD:AEHAG 2008/08/22 APPR:FSM LTH 2008/08/22 BS1	DESCRIPTION CRIMP TERMINAL, MALE	QUALITY SYMBOLS	GENERAL TOLERANCES (UNLESS SPECIFIED)	DIMENSION STYLE	SCALE	DESIGN UNITS	THIRD ANGLE PROJECTION															
		$\nabla=0$ $\nabla=0$	<table border="1"> <thead> <tr> <th></th> <th>mm</th> <th>INCH</th> </tr> </thead> <tbody> <tr> <td>4 PLACES</td> <td>± .010</td> <td>± .0004</td> </tr> <tr> <td>3 PLACES</td> <td>± .015</td> <td>± .0006</td> </tr> <tr> <td>2 PLACES</td> <td>± .025</td> <td>± .0010</td> </tr> <tr> <td>1 PLACE</td> <td>± 0.13</td> <td>± .0051</td> </tr> </tbody> </table>		mm	INCH	4 PLACES	± .010	± .0004	3 PLACES	± .015	± .0006	2 PLACES	± .025	± .0010	1 PLACE	± 0.13	± .0051	IN/MM DRAWN BY: GEP DATE: 10/26/87 CHECKED BY: RW DATE: 10/26/87 APPROVED BY: RAS DATE: 10/26/87	6:1	INCH	
			mm	INCH																		
4 PLACES	± .010	± .0004																				
3 PLACES	± .015	± .0006																				
2 PLACES	± .025	± .0010																				
1 PLACE	± 0.13	± .0051																				
DRAFT WHERE APPLICABLE MUST REMAIN WITHIN DIMENSIONS			SEE CHART MATERIAL NO. DOCUMENT NO.	TITLE CRIMP TERMINAL, MALE .093/(2.36) DIA. FOR 14 THRU 20 AWG. WIRE MOLEX INCORPORATED	SHEET NO. 1 OF 1																	