

Ceramic Trap Filters for TV/VCR Stage 3.58 MHz ~ 6.5 MHz

**XTMB Ceramic Trap Filters for TV/VCR Stage
(Murata TPS MB Series Compatible)**



► Preview

Token Ceramic Trap Filter is employing piezoelectric technology's mechanical resonance, it is almost unaffected by the surrounding circuits, and its characteristics do not deviate when it is implanted in the printed circuit and no adjustment is required.

Utilize Token special piezoelectric materials, Token trap filters has a high Q compared with IFT and a high selectivity is obtained. It also has a remarkable frequency temperature coefficient, high selectivity and high stability.

In TV set, video signal is used in picture amplitude circuit after video signal detection block, ceramic resonator is insert here and trap circuit is formed in order to eliminate sound signal involved in video signal.

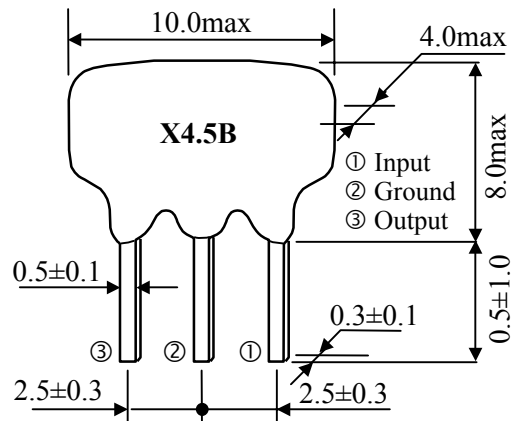
Token Ceramic Trap Filters - XT MB Series are band reject type used for video and sound IF attenuation. The 3 terminal XT MB Series contains 2 elements on one substrate for additional attenuation. XT MB Series can be used in the sound IF of CATV/VCR receivers.

The XTMB series is lead-free and RoHS compliant. Token will also produce devices outside these specifications to meet specific customer requirements, please contact our sales for more information.

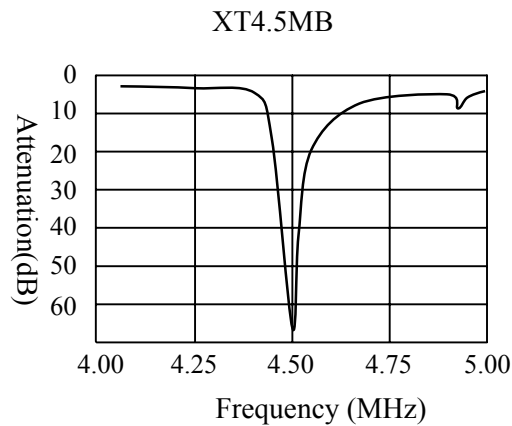
XTMB Trap Filter Quick Selection :

1. Dimensions (Unit: mm): 10.0 max x 8.0 max x 4.0 max.
2. XT3.58MB Cener Frequency f_0 :3.580MHz; 25db min @ f_0 ; 40(kHz)min@25dB Att BW
3. XT4.43MB Cener Frequency f_0 :4.430MHz; 30db min @ f_0 ; 50(kHz)min@30dB Att BW
4. XT4.5MB Cener Frequency f_0 :4.500MHz; 35db min @ f_0 ; 70(kHz)min@30dB Att BW
5. XT5.5MB Cener Frequency f_0 :5.500MHz; 35db min @ f_0 ; 90(kHz)min@30dB Att BW
6. XT5.74MB Cener Frequency f_0 :5.742MHz; 35db min @ f_0 ; 90(kHz)min@30dB Att BW
7. XT6.5MB Cener Frequency f_0 :6.500MHz; 35db min @ f_0 ; 90(kHz)min@30dB Att BW

Dimensions



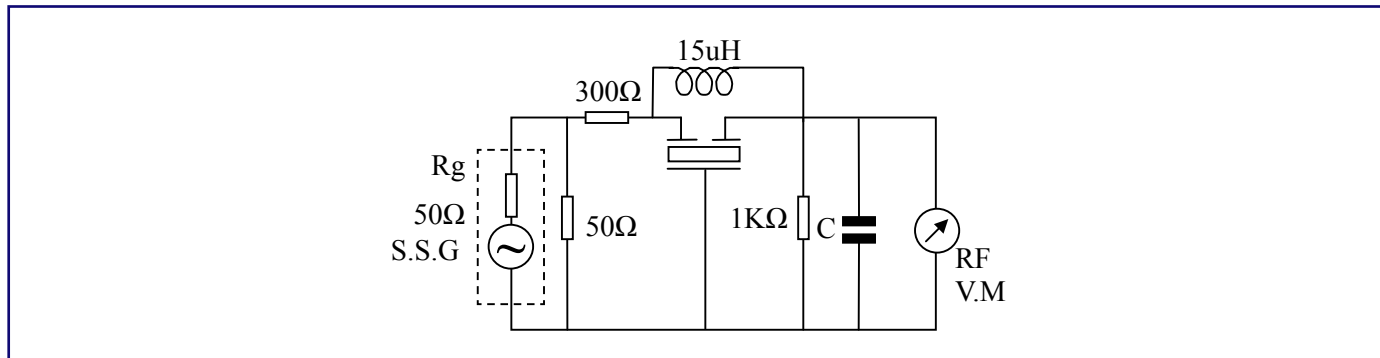
Characteristics



Part Number	Center Frequency (fo1)(MHz)	Attenuation (at fo1)(dB)min	30dB Attenuation BW (fo1)(kHz)min
XT3.58MB	3.580	25	40(25dB Att.BW)
XT4.43MB	4.430	30	50
XT4.5MB	4.500	35	70
XT5.5MB	5.500	35	90
XT5.74MB	5.742	35	90
XT6.0MB	6.000	35	90
XT6.5MB	6.500	35	90

Note: The level at 1MHz shall be made for a reference (0dB).

▶ Test Circuit



▶ How to Order

XT3.58MB

❶

P

❷

❶ Part Number

❷ Package

Back to 1st Page - Ceramic Trap Filters for TV/VCR Stage (XT MB)