



TAI-SAW TECHNOLOGY CO., LTD.

No. 3, Industrial 2nd Rd., Ping-Chen Industrial District,
Taoyuan, 324, Taiwan, R.O.C.

TEL: 886-3-4690038 FAX: 886-3-4697532

E-mail: tstsales@mail.taisaw.com Web: www.taisaw.com

Approval Sheet For Product Specification

Issued Date: 2005/03/21

Product Name: SAW Resonator 433.9 MHz SMD5.0X5.0 mm

TST Parts No.: TC0279A

Customer Parts No.: _____

Company: _____
Division: _____
Approved by : _____
Date: _____

Checked by: Stanley Tian

Approval by: Francis Chen

Date: 2005/03/21



TAI-SAW TECHNOLOGY CO., LTD.

No. 3, Industrial 2nd Rd., Ping-Chen Industrial District,
Taoyuan, 324, Taiwan, R.O.C.

TEL: 886-3-4690038 FAX: 886-3-4697532

E-mail: tstsales@mail.taisaw.com Web: www.taisaw.com

SAW Resonator 433.9 MHz

MODEL NO.: TC0279A

REV. NO.:1

A. FEATURES:

1. 1-Port Resonator.

RoHS Compliant
Lead free
Lead-free soldering

B. MAXIMUM RATING:

1. Input Power Level: 0 dBm

2. DC voltage: 12 V

3. Operating Temperature: -40°C to +85°C

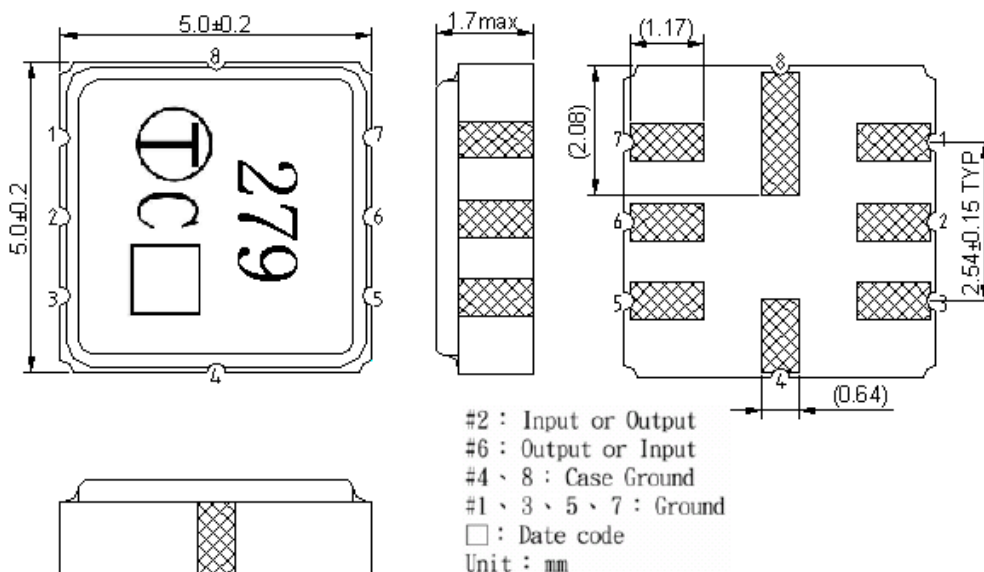
4. Storage Temperature: -40°C to +85°C

C. ELECTRICAL CHARACTERISTICS:

Characteristic	Units	Minimum	Typical	Maximum
Center frequency Fr	MHz	433.855	433.900	433.945
Insertion Loss IL	dB	-	1.06	2.0
Equivalent Elements				
Motional capacitance C1	fF	-	2.07	-
Motional inductance L1	μH	-	64.78	-
Motional resistance R1	Ohm	-	13.05	-
Parallel capacitance Co	pF	-	3.922	-
Temp. coeff.	ppm/c*2	-	0.032	-
Turnover To	deg.C	5	15	35
Package size		SMD5.0X5.0X1.7 mm		

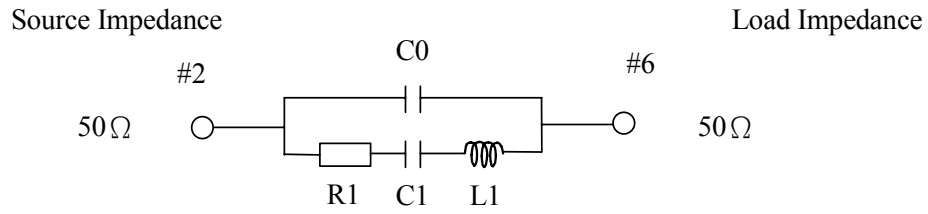
Temperature dependence of fc: $fc(T_A) = fc(T_O)(1 + TC_f(T_A - T_O)^2)$

D. OUTLINE DRAWING:

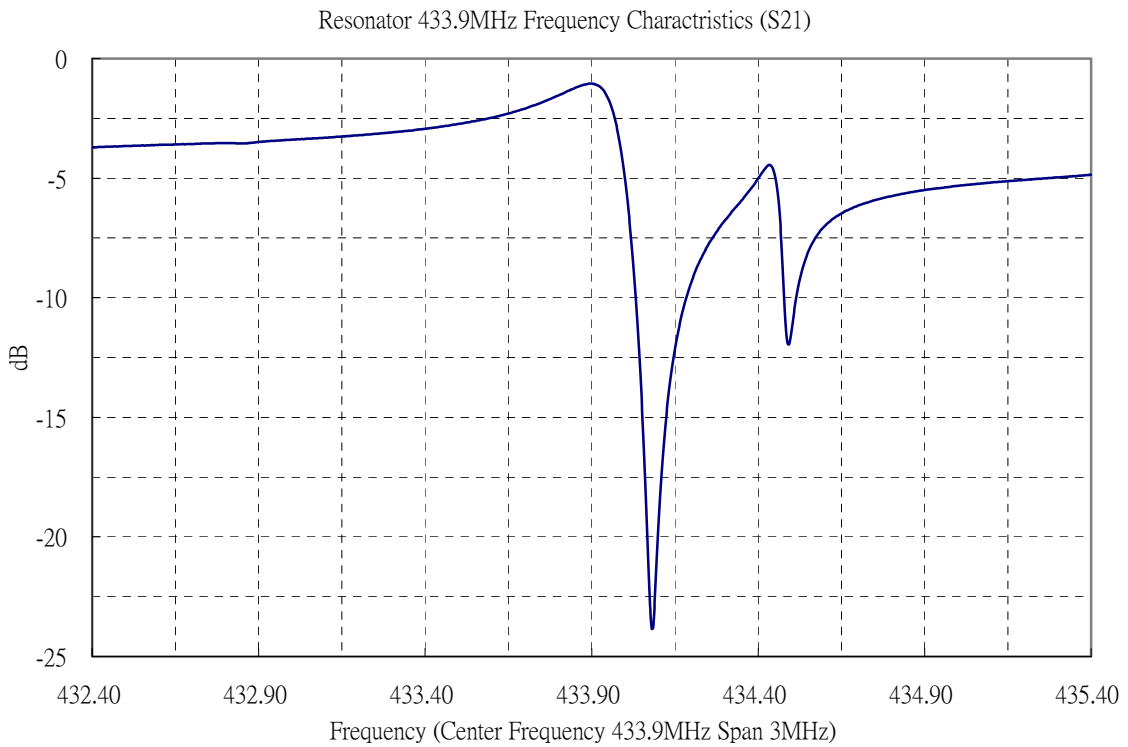


E. EQUIVALENT CIRCUIT:

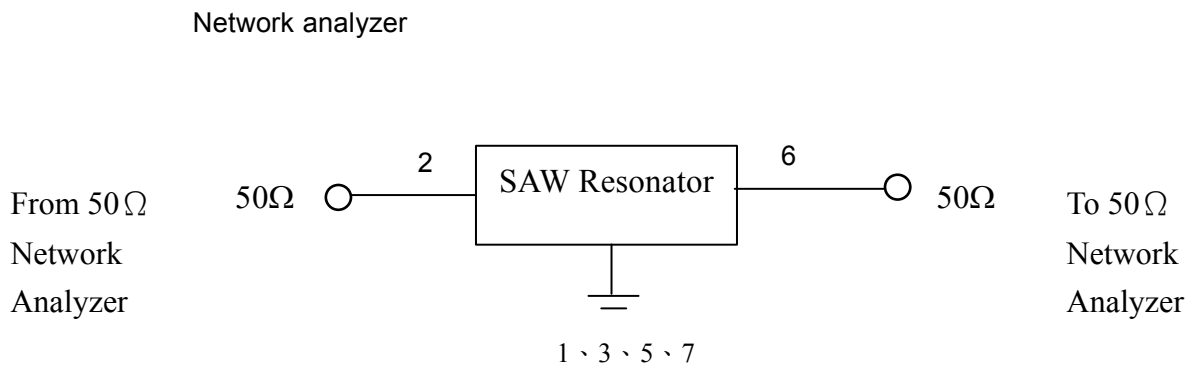
One-Port Resonator:



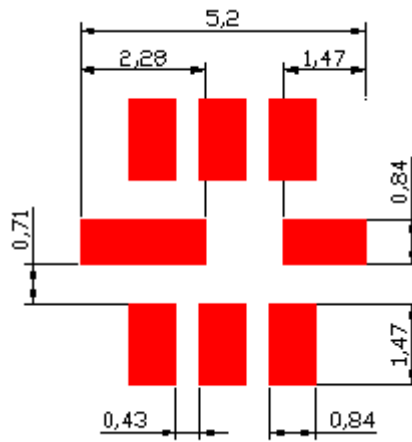
F. FREQUENCY CHARACTERISTICS:



G. TEST CIRCUIT:

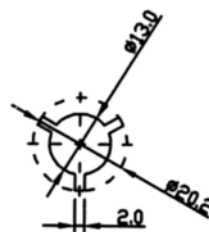
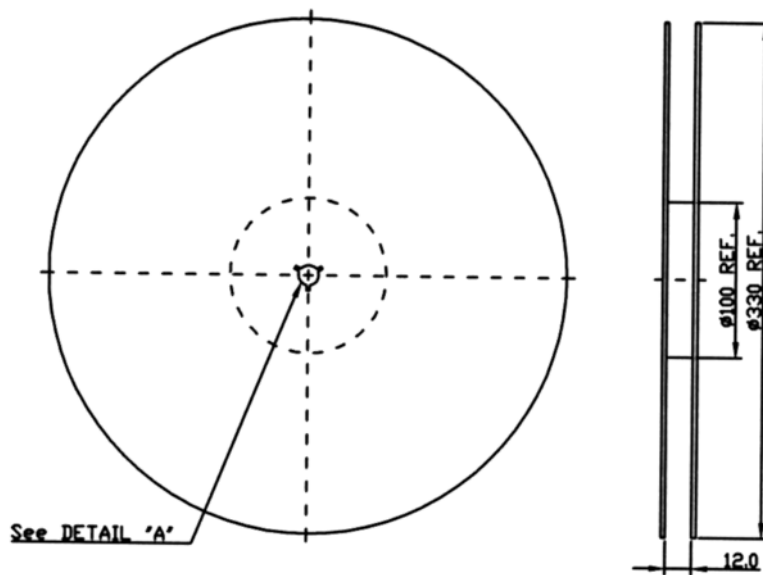


H. PCB FOOTPRINT:



I. PACKING:

1. REEL DIMENSION



2.TAPE DIMENSION

