

T-977 HDSL TRANSFORMER

PARAMETER		UNITS
Turns Ratio	1CT : 1.8CT \pm 3%	
Line Impedance	135	Ω
Inductance ¹	2.75 \pm 6%	mH
Longitudinal Balance 5 kHz to 292 kHz	50 min.	dB
Primary DC Resistance Pins (2-4)	3.2 Max.	Ω
Secondary DC Resistance (6-8) or (8-10)	3.0 Max.	Ω
Frequency Response 40kHz - 300kHz	\pm 0.2	dB
Insertion Loss @ 100kHz	0.3	dB
Isolation (HI-POT)	2000	V _{RMS}
Primary DC	75	mA
Return Loss @ 100kHz	20 min.	dB
THD (5 KHz, 6V _{p-p} 135 Ω)	-75 Min.	dB

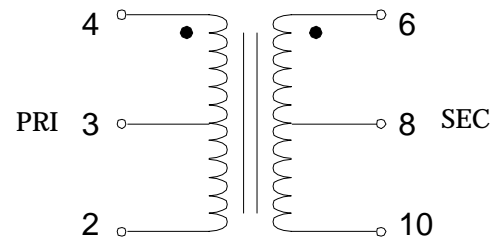
Designed for HDSL applications

Compatible with Level One SK70704

Low Profile "Touch Tone" design

A Surface Mount version of this transformer is available

SCHEMATIC DIAGRAM



Line Side Pins 6-10
Chip Side Pins 4-2

Primary is Chip Side
Secondary is Line Side

1. Line Side, Pins (10-6), @ 10KHz and 100 mV

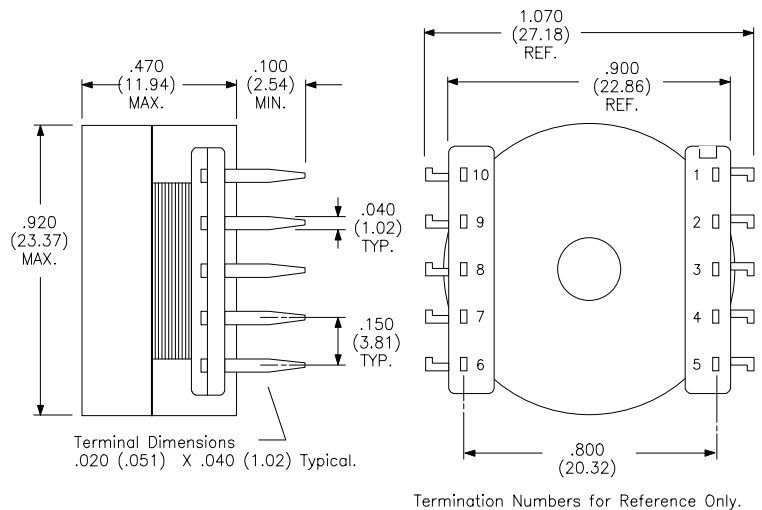
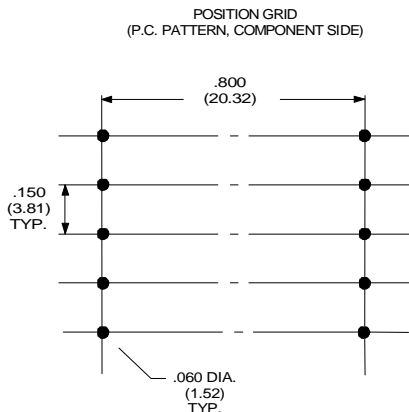
Operating Temp. Range -40°C to +85°C

Surge Voltage Capability:

Metallic Voltage: 800 V peak, 10/700 μ S

Longitudinal Voltage: 2400 V peak, 10/560 μ S

Physical Dimensions in inches (mm)



Notch on bobbin indicates pin #1

1/22/96