

T1/ CEPT/ISDN-PRI Quad Port Transformer

EPR1538SE & EPR1538SE-RC



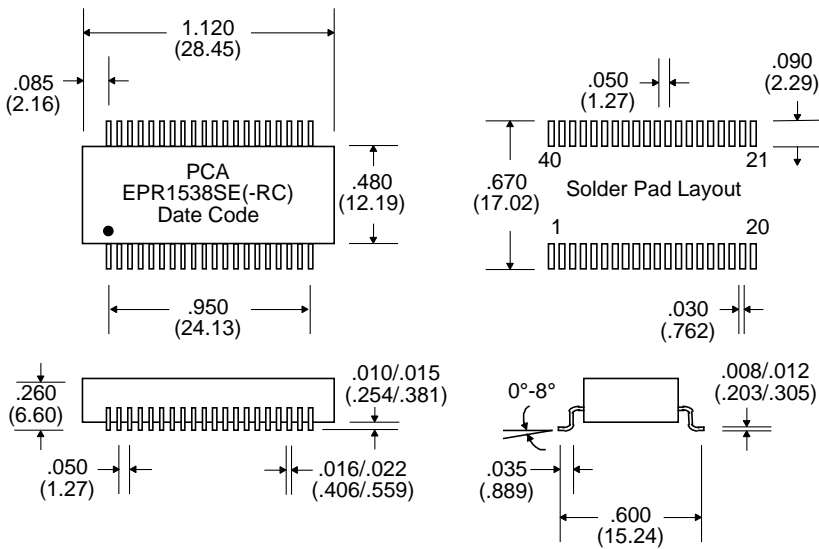
- Quad Port Transformer Module with IC Side Protection Circuit
- Optimized for PMC-Sierra's Comet Chip PM4354
- Add "-RC" after part number for RoHS Compliant
- Extended Temperature Range : -40°C to +85°C
- Low Profile Surface Mount Package
- Isolation : 1500 Vrms

Electrical Parameters @ 25° C

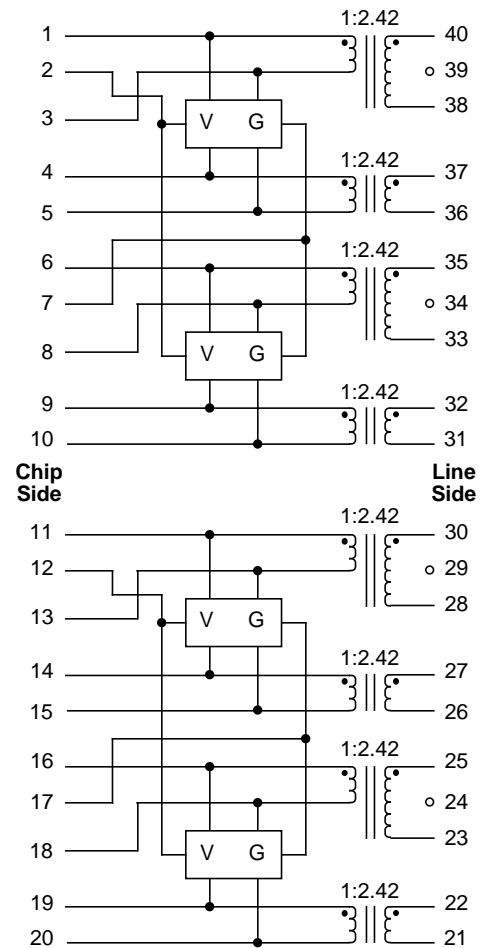
OCL (mH Min.)	Cw/w (pF Max.)	Le (μH Max.)	Return Loss (dB Min.)						DCR (Max.)		CMDR (dB Min.)	CMRR (dB Min.)	Crosstalk (dB Min.)
			50-100 KHz		100 KHz-2 MHz		2-3 MHz		Pri.	Sec.			
100 KHz, .1V	100 KHz, .1V	100 KHz, .1V	50-100 KHz	100 KHz-2 MHz	2-3 MHz						0.1-1 MHz	0.1-1 MHz	0.1-10 MHz
Line Side	Xmit/Rcv	Xmit/Rcv	Xmit	Rcv	Xmit	Rcv	Xmit	Rcv	Pri.	Sec.			
1.2	30	0.70	-9	-12	-15	-18	-11	-14	0.40	0.70	-50	-40	-50

• Line Side Impedance : 100 - 120 •

Package



Schematic



Notes :	EPR1538SE	EPR1538SE-RC
1. Assembly Process (Solder Composition)	(Leadframe) SnPb	Sn
	(Assembly Solder) SnPb	SnPb (RoHS exemption 7a)
2. Peak Solder Rating (per IPC/JEDEC J-STD-020C)	225°C	260°C
3. Moisture Sensitive Levels (MSL) (per IPC/JEDEC J-STD-020C)	3 (168 Hours, 30°C/60%RH)	4 (72 Hours, 30°C/60%RH)
4. Weight	TBD grams	TBD grams
5. Packaging Information	(Tube) 19 pieces/tube	19 pieces/tube
	(Tape & Reel) 300 pieces/13" reel (*EPR1538SE-TR)	300 pieces/13 reel (*EPR1538SE-RCTR)

Unless Otherwise Specified Dimensions are in Inches /mm ± .010 / .25