

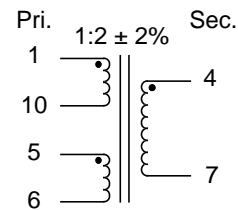
## EPR1205G

- Matched to Leading Transceiver IC's •
- Compact SMT Molded Package •
- Robust Construction allows for IR/VP Processes •
- Operating Temperature Range : 0°C to 70°C •

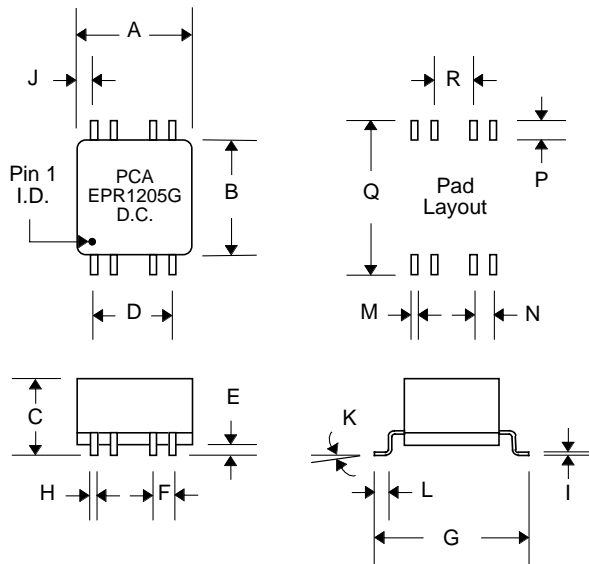
### Electrical Parameters @ 25° C

Primary OCL (mH Min.)	Interwinding Capacitance (pF Max.)	Leakage Inductance (µH Max.)	Primary DCR (Ω Max.)	Secondary DCR (Ω Max.)	Isolation (Vrms) Pri. to Sec.	Primary Pins
22	120	5	2.5	5.2	1500	1-10, 5-6

### Schematic



### Package



### Dimensions

Dim.	(Inches)			(Millimeters)		
	Min.	Max.	Nom.	Min.	Max.	Nom.
A	.540	.560	.550	13.72	14.22	13.97
B	.540	.560	.550	13.72	14.22	13.97
C	.375	.394	.385	9.53	10.00	9.78
D	---	---	.400	---	---	10.16
E	.005	.015	.010	.127	.381	.254
F	---	---	.100	---	---	2.54
G	.705	.725	.715	17.91	18.42	18.16
H	.016	.022	.018	.408	.559	.457
I	.008	.012	.010	.203	.305	.254
J	---	---	.075	---	---	1.91
K	0°	8°	4°	0°	8°	4°
L	.040	.060	.050	.102	1.52	1.27
M	---	---	.050	---	---	1.27
N	---	---	.100	---	---	2.54
P	---	---	.120	---	---	3.05
Q	---	---	.760	---	---	19.30
R	---	---	.200	---	---	5.08