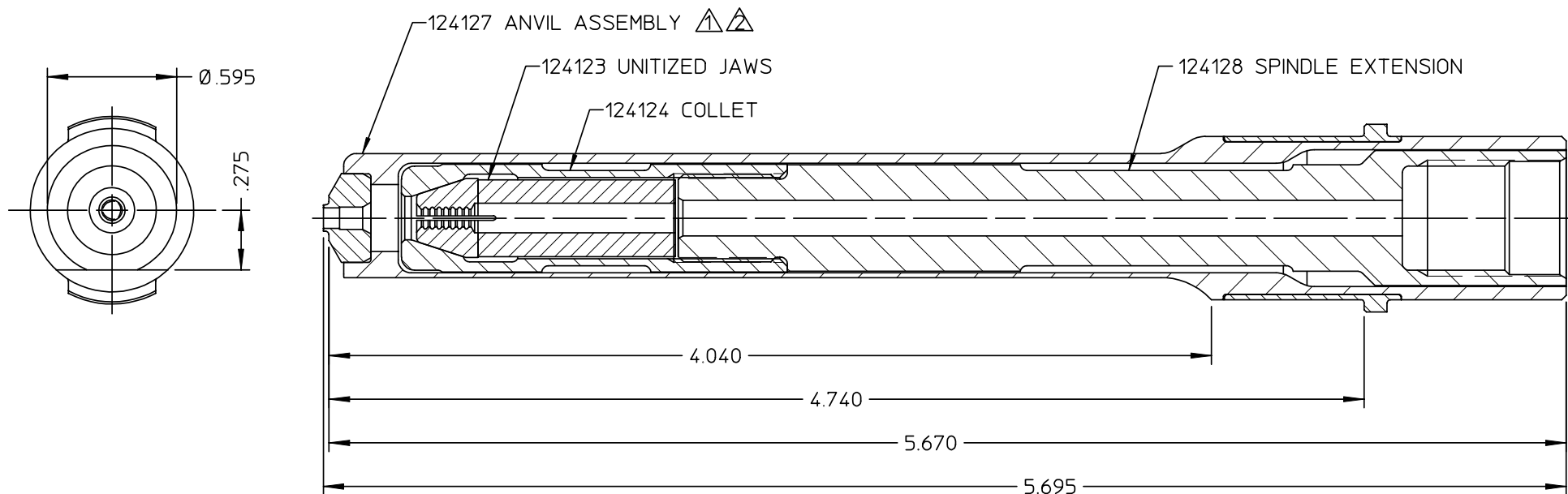


DATA SHEET



Alcoa Fastening Systems

Commercial Products
1 Corporate Drive, Kingston, NY 12401

TYPE:	NON-SELF-RELEASING	
FASTENER:	-04 BR	
TOOL(S):	202, 212, 230, 352, 2400	
Notes:	Product Revision:	A
US Patent:	Date:	07/08/03

NOTES:

△ ANVIL ASSEMBLY 124127 CONSISTS OF:
ANVIL HOLDER ASSEMBLY 124126 AND
ANVIL INSERT 123794.

△ ANVIL HOLDER ASSEMBLY 124126 CONSISTS OF:
ANVIL HOLDER 124125 AND
RETAINER 120738.

99-2726

Part Number