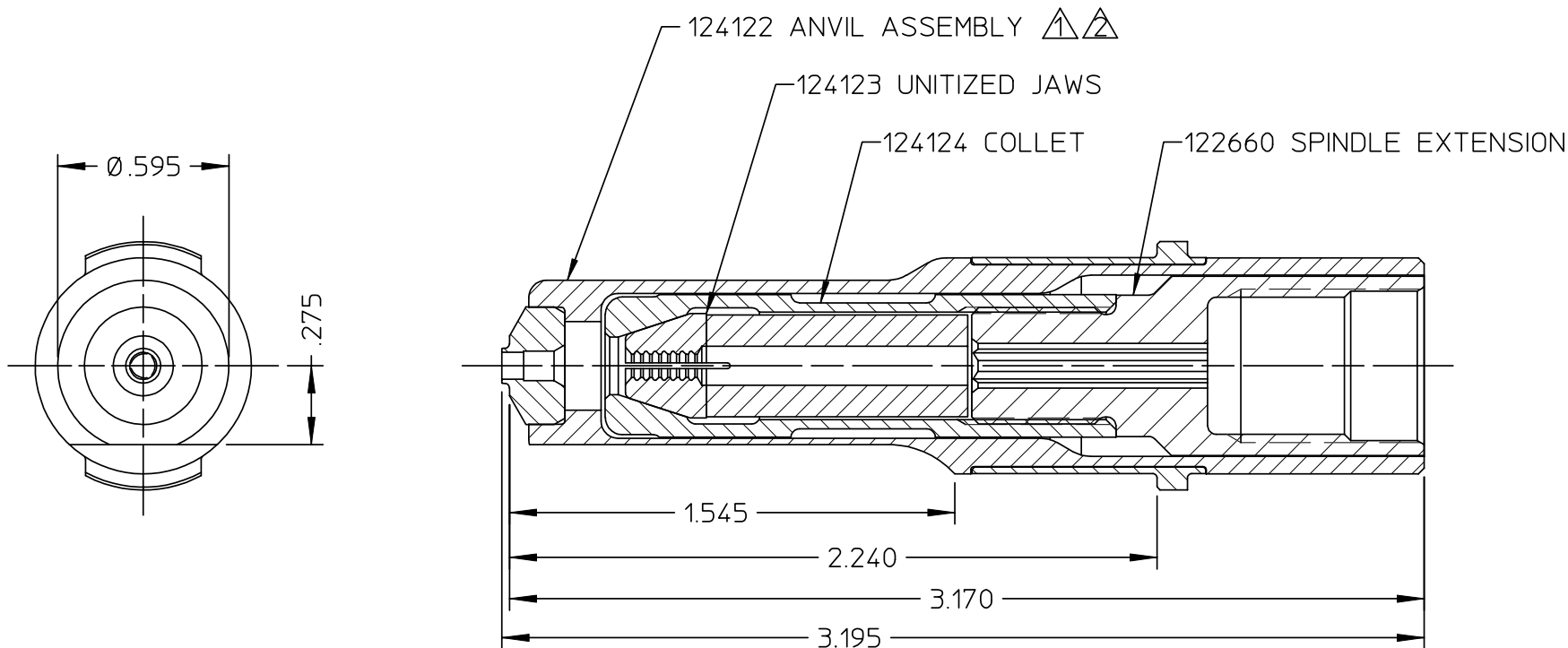


# DATA SHEET



**Alcoa Fastening Systems**

Commercial Products  
1 Corporate Drive, Kingston, NY 12401

NOSE TYPE:	NON-SELF-RELEASING
FASTENER TYPE:	-04 BR
TOOL(S):	202, 212, 230, 352, 2400

Notes:	Product Revision: <b>A</b>
US Patent:	Date: 06/18/03

NOTES:

- △ ANVIL ASSEMBLY 124122 CONSISTS OF:  
ANVIL HOLDER ASSEMBLY 124121 AND  
ANVIL INSERT 123794.
- △ ANVIL HOLDER ASSEMBLY 124121 CONSISTS OF:  
ANVIL HOLDER 124120 AND  
RETAINER 120738.

99-2725

Part Number