

PLEASE CHECK WWW.MOLEX.COM FOR LATEST PART INFORMATION

Part Number: [0850099004](#)
Status: **Active**
Overview: [din_41612](#)
Description: 2.54mm (.100") Pitch DIN 41612 M Style Male Header, Right Angle, Through Hole, 24 Circuits, without Mounting Clips, No Flux Proof, Lead free

Documents:

[Drawing \(PDF\)](#) [RoHS Certificate of Compliance \(PDF\)](#)

General

Product Family	Backplane Connectors
Series	85009
Application	Backplane
Comments	No Mounting Clips. No Flux Proof
Component Type	PCB Header
Overview	din_41612
Product Name	IEC 603-2/DIN 41612
Style	M

Physical

Circuits (Loaded)	24
Circuits (maximum)	24
Circuits Detail	Standard Contacts at: A:a14-a19; B:b13-b20; C:c13-c20. Coaxial Contacts at: O:b2,b5,b8,b11,b22,b25,b28,b31. Last-Mate-First-Break Contacts at: Z:a13,a20
Durability (mating cycles max)	400
First Mate / Last Break	No
Guide to Mating Part	No
Keying to Mating Part	Yes
Material - Metal	Brass
Material - Plating Mating	Gold
Material - Plating Termination	Gold, Tin
Number of Columns	8
Number of Pairs	Open Pin Field
Number of Rows	3
Orientation	Right Angle
PC Tail Length (in)	0.118 In
PC Tail Length (mm)	3.00 mm
PCB Locator	No
PCB Retention	Yes
Packaging Type	Tray
Pitch - Mating Interface (in)	0.100 In
Pitch - Mating Interface (mm)	2.54 mm
Pitch - Term. Interface (in)	0.100 In
Pitch - Term. Interface (mm)	2.54 mm
Plating min: Mating (µin)	32
Plating min: Mating (µm)	0.80
Plating min: Termination (µin)	98
Plating min: Termination (µm)	2.5
Polarized to PCB	Yes
Stackable	No
Surface Mount Compatible (SMC)	No
Temperature Range - Operating	-55°C to +125°C
Termination Interface: Style	Through Hole

EU RoHS

ELV and RoHS

Compliant

REACH SVHC

Not Reviewed

Halogen-Free

Status

Not Reviewed

China RoHS



Need more information on product environmental compliance?

Email productcompliance@molex.com
 For a multiple part number RoHS Certificate of Compliance, [click here](#)

Please visit the [Contact Us](#) section for any non-product compliance questions.

Search Parts in this Series

[85009Series](#)

Electrical

Current - Maximum per Contact

1A

Data Rate

622.0 Mbps

Voltage - Maximum

250V AC (RMS)

Material Info**Reference - Drawing Numbers**

Packaging Specification

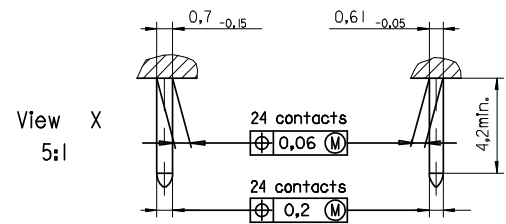
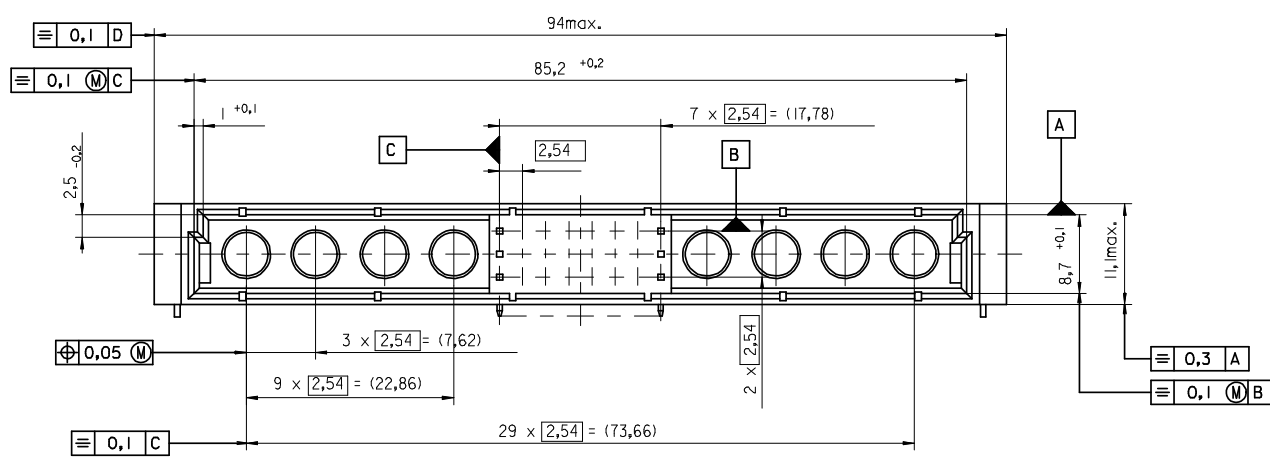
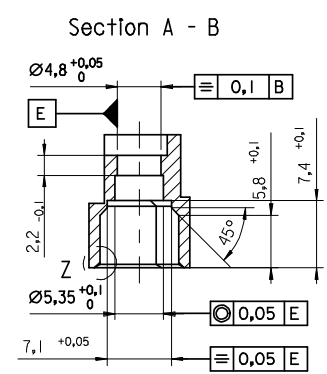
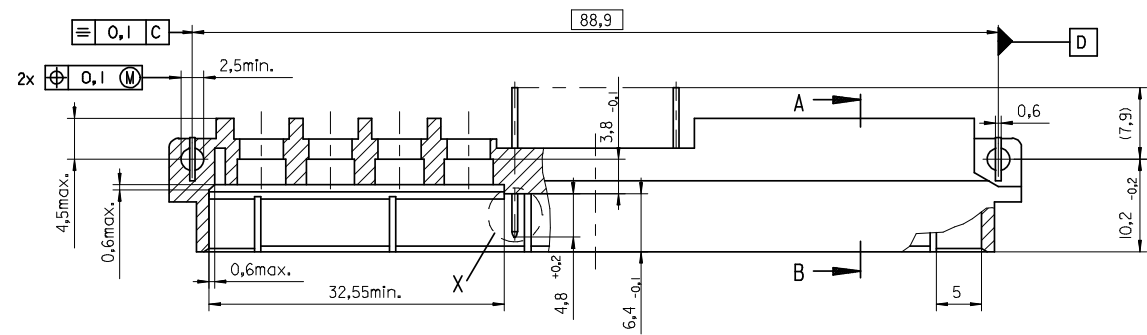
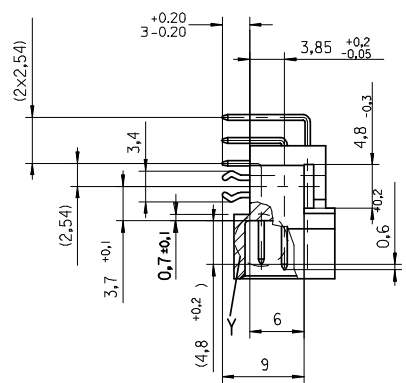
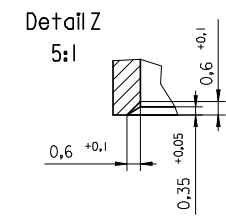
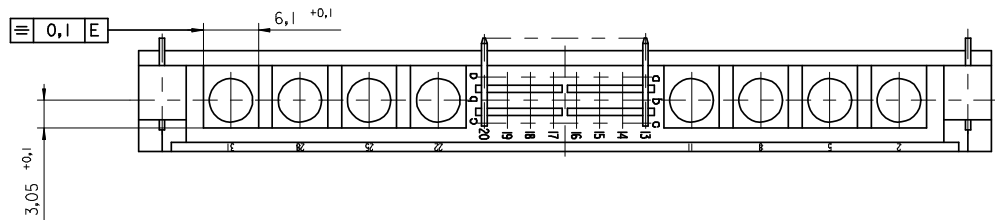
PK-85009-001

Sales Drawing

SDA-85009-0001, SDA-85009-9004

This document was generated on 05/17/2010

PLEASE CHECK WWW.MOLEX.COM FOR LATEST PART INFORMATION



EC NO: 12009-0039 2008/07/28 DRWNSJ CHKD:KPRASAD 2008/07/31 APPR:KPRASAD 2008/08/11 REV DESCRIPTION	QUALITY SYMBOLS	GENERAL TOLERANCES (UNLESS SPECIFIED)	DIMENSION STYLE	SCALE	DESIGN UNITS	THIRD ANGLE PROJECTION
	$\nabla =$ $\nabla \square =$	mm INCH 4 PLACES ± --- ± --- 3 PLACES ± --- ± --- 2 PLACES ± --- ± --- 1 PLACE ± --- ± --- ANGULAR ± 2 °	MM ONLY	2:1	METRIC	
		DRAFT WHERE APPLICABLE MUST REMAIN WITHIN DIMENSIONS	DRAWN BY DATE CA 1995/06/12 CHECKED BY DATE KN 1995/06/12 APPROVED BY DATE KN 1995/06/12	TITLE	24POS. MALE DIN CONNECTOR DIN 41612 STYLE M	
			MATERIAL NO.	DOCUMENT NO.	MOLEX INCORPORATED SDA-85009-0001	
			SIZE	THIS DRAWING CONTAINS INFORMATION THAT IS PROPRIETARY TO MOLEX INCORPORATED AND SHOULD NOT BE USED WITHOUT WRITTEN PERMISSION		
					SHEET NO.	1 OF 2

