

PLEASE CHECK WWW.MOLEX.COM FOR LATEST PART INFORMATION

Part Number: [0351500210](#)
Status: **Active**
Overview: [versablade](#)
Description: 6.20mm (.244") Pitch Wire-to-Wire VersaBlade™ Hybrid Plug Housing, with Mounting Ears, 2 Circuits, Polyester UL94V-0, Natural

Documents:

[3D Model](#) [RoHS Certificate of Compliance \(PDF\)](#)
[Drawing \(PDF\)](#)

Agency Certification

CSA	LR19980
TUV	R72090206
UL	E29179

General

Product Family	Crimp Housings
Series	35150
Comments	Polarized to Mating Part, Positive Lock
Overview	versablade
Product Name	VersaBlade™

Physical

Circuits (maximum)	2
Color - Resin	Natural
Flammability	94V-0
Gender	Male
Glow-Wire Compliant	No
Keying to Mating Part	None
Lock to Mating Part	Yes
Material - Resin	Polyester
Number of Rows	1
Packaging Type	Bag
Panel Mount	Yes
Pitch - Mating Interface (in)	0.244 In
Pitch - Mating Interface (mm)	6.20 mm
Polarized to Mating Part	Yes
Stackable	No
Temperature Range - Operating	-30°C to +105°C

Material Info

Reference - Drawing Numbers

Sales Drawing	SD-35150-0210
---------------	---------------

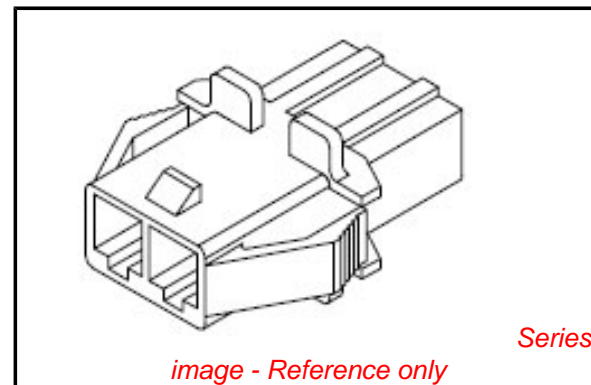


image - Reference only

EU RoHS

ELV and RoHS Compliant
REACH SVHC
 Not Reviewed
Halogen-Free Status
Not Reviewed

China RoHS



Need more information on product environmental compliance?

Email productcompliance@molex.com
 For a multiple part number RoHS Certificate of Compliance, [click here](#)

Please visit the [Contact Us](#) section for any non-product compliance questions.

Search Parts in this Series

[35150Series](#)

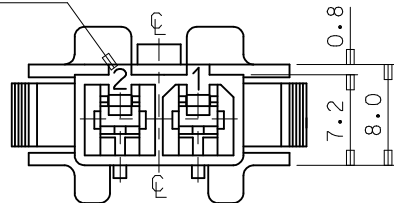
Mates With

[35151-021*](#) Receptacle Housing

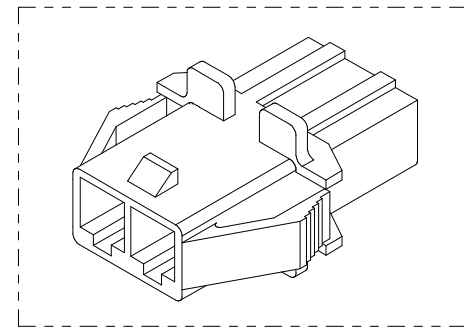
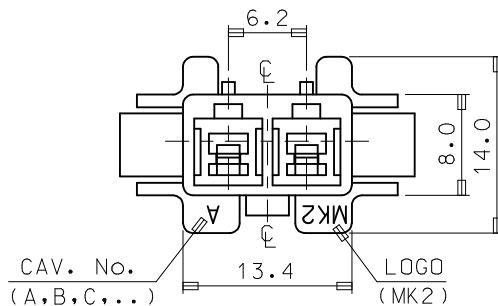
Use With

[357450*10](#) VersaBlade™ Crimp Terminals

CIRCUIT No.

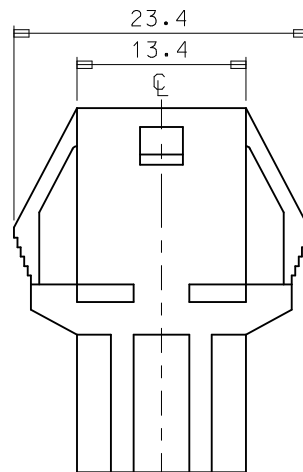
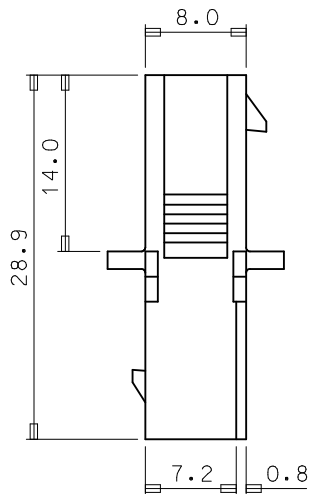


VIEW "A"

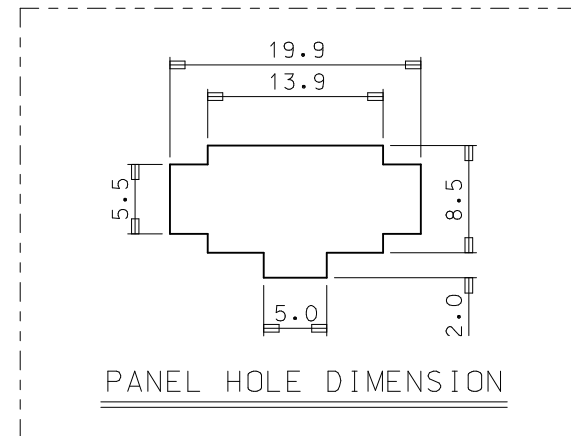


NOTES

1. MATERIAL & COLOR : SEE TABLE
2. MATCHED HOUSING : 35151-021*
3. APPLIED TERMINAL : 35745-0*10



↑
"A"



PANEL HOLE DIMENSION

NO	PRODUCT		MATERIAL	
	PART NO	MATERIAL NO	COLOR	DESCRIPTION
1	35150-0210	351500210	NATURAL	PBT (UL94V-0)
2	35150-0212	351500212	RED	
3	35150-0214	351500214	BLUE	
4	35150-0219	351500219	NATURAL	PC/PET (UL94V-0)
5	35150-2219	351502219	RED	
6	35150-3219	351503219	YELLOW	
7	35150-4219	351504219	BLUE	

REVISED
EC NO: KOR2009-0026
DRWN: JHPARK01 2008/09/25
CHKD: WY YANG 2008/11/25
APPR: YUNSIKKIM 2008/11/25

QUALITY SYMBOLS
▽=0
∇=0

GENERAL TOLERANCES (UNLESS SPECIFIED)

	mm	INCH
4 PLACES	± ---	± ---
3 PLACES	± ---	± ---
2 PLACES	± ---	± ---
1 PLACE	± 0.2	± ---

ANGULAR ± 1 °

DRAFT WHERE APPLICABLE
MUST REMAIN
WITHIN DIMENSIONS

DIMENSION STYLE
MM ONLY

DRAWN BY: JS.KANG
CHECKED BY: _____
APPROVED BY: _____

MATERIAL NO.
SEE TABLE

SIZE
A3

SCALE
2:1

DESIGN UNITS
METRIC

THIRD ANGLE PROJECTION

TITLE
**6.2 PITCH W/W CONN
MALE HSG-2P(W/EAR)**

MOLEX INCORPORATED

DOCUMENT NO.
SD-35150-0210

SHEET NO.
1 OF 01

THIS DRAWING CONTAINS INFORMATION THAT IS PROPRIETARY TO MOLEX INCORPORATED AND SHOULD NOT BE USED WITHOUT WRITTEN PERMISSION