

SYS-4W5120-4U01E Intel® Core™ 2 Duo MicroATX System with Front-Accessible I/O



Features

- **Intel 945G Platform**
 - Supports Intel Core 2 Duo processor up to 2.66 GHz
 - Supports dual channel DDR2 533/667 SDRAM up to 4 GB
 - One integrated GbE delivers excellent network performance
- **Ideal for Embedded Applications**
 - Ultra compact chassis with all-in-one feature
 - All I/O interfaces are located in the front to facilitate cable routing
 - Accepts standard optical drive, FDD and 3.5" HDD for better cost structure
 - Supports up to four add-on cards

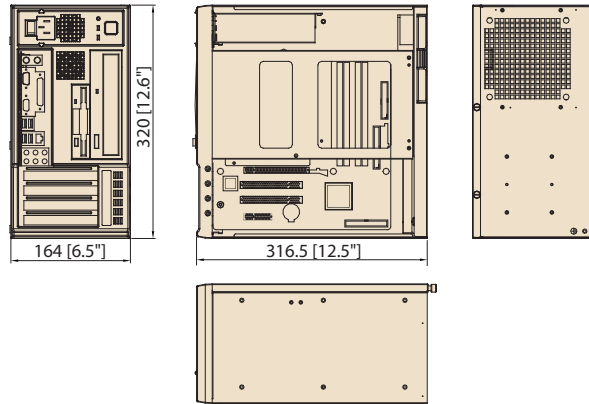


Specifications

Form Factor	Wallmount / Desktop					
Processor System	Chipset	Intel 945G + ICH7				
	CPU	Intel Core 2 Duo	Pentium D	Pentium 4	Pentium Dual Core	Celeron D
		2.66 GHz	3.2 GHz	3.8 GHz	2.2 GHz	3.06 GHz
	L2 Cache	4 MB	4 MB	2 MB / 1 MB	1 MB	512 KB / 256 KB
	Front Side Bus	533 / 800 / 1066 MHz				
Graphics	Memory	Dual channel DDR2 533/667 SDRAM up to 4 GB				
	Controller	Intel 945G integrated				
	VRAM	Dynamically shared system memory up to 224 MB				
Expansion Slot	PCIe x16	1				
	PCIe x1	1				
	PCI	2 x 32-bit				
Storage	Optical Drive (supported)	CD-ROM / DVD-ROM / CD-RW				
	Floppy Disk (supported)	3.5" 1.44 MB FDD				
	HDD (supported)	SATA				
Drive Bay	5.25" (front-accessible)	1				
	3.5" (front-accessible)	1				
	3.5" (internal)	1				
Ethernet	Interface	10/100/1000 Mbps Gigabit Ethernet				
	Controller	Intel 82573L				
Front I/O Interface	USB	4				
	PS/2	2				
	COM	1				
	VGA	1				
	Parallel	1				
	RJ-45	1				
	Audio	6 (Mic-in, Line-in, Line-out, CD-Audio)				
Operating System	Microsoft Windows 2000/ XP/ Vista Window XP Embedded					
Watchdog Timer	Output	System Reset				
	Interval	Programmable 1 ~ 255 seconds				
Power Supply	Power Output Wattage	250 W				
	Input Range	AC 100 ~ 240V				
Cooling	Chassis Fan	2 (12 cm / 85 CFM + 6 cm / 10 CFM)				
	Air Filter	Yes				
Miscellaneous	LED Indicators	Power status and HDD activity				
		Operating			Non-Operating	
Environment	Temperature	0 ~ 40° C (32 ~ 104° F)			-20 ~ 60° C (-4 ~ 140° F)	
	Humidity	10 ~ 85% @ 40° C non-condensing			10 ~ 95% @ 40° C non-condensing	
Physical Characteristics	Dimensions (W x H x D)	320 x 164 x 317 mm (12.6" x 6.5" x 12.5")				
	Weight	10 kg (22 lb)				

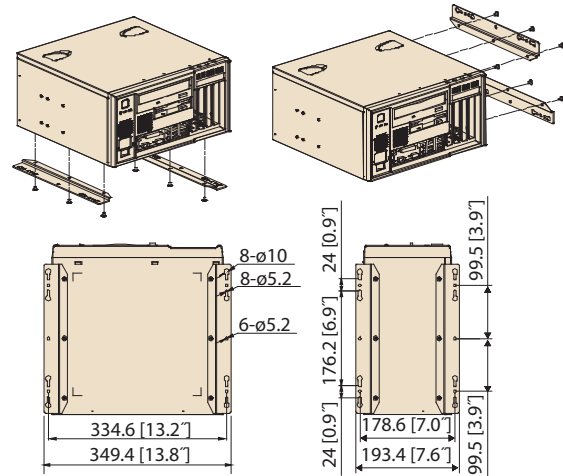
Dimensions

Unit: mm (inch)



Installation

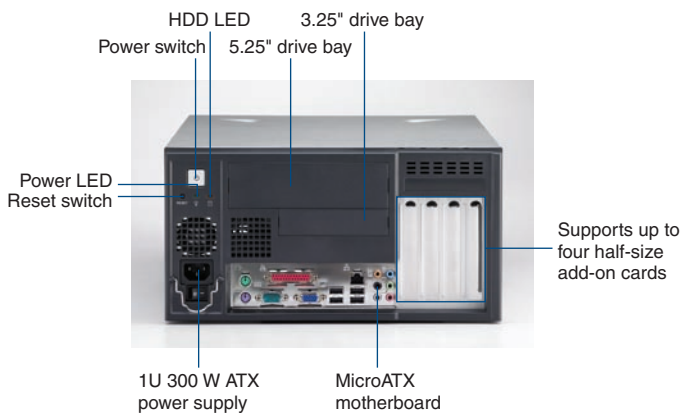
Unit: mm (inch)



Ordering Information

Part Number	Chassis	Motherboard	Regulation
SYS-4W5120-4U01E	IPC-5120-25ZBE Desktop/wallmount chassis with 250W power supply (ATX)	AIMB-562VG-00A1E LGA775 Core 2 Duo/Pentium 4 MicroATX motherboard	UL, CB

Front View



Inside View

