

**PLEASE CHECK WWW.MOLEX.COM FOR LATEST PART INFORMATION**

**Part Number:** [0475976102](#)  
**Status:** **Active**  
**Description:** LGA 1156 Pan Screw for 1U Server, 5.17mm (.204") Thread, Lead-free

**Documents:**

[Drawing \(PDF\)](#) [RoHS Certificate of Compliance \(PDF\)](#)  
[Product Specification PS-47596-001 \(PDF\)](#)

**General**

Product Family	Processor Sockets
Series	47596
Component Type	Screw
Product Name	LGA1156

**Physical**

Circuits (Loaded)	N/A
Durability (mating cycles max)	20
Packaging Type	Bag
Pitch - Mating Interface (in)	0.000 In
Pitch - Mating Interface (mm)	0.00 mm
Temperature Range - Operating	-25°C to +100°C
Termination Interface: Style	Screw or Lug

**Electrical**

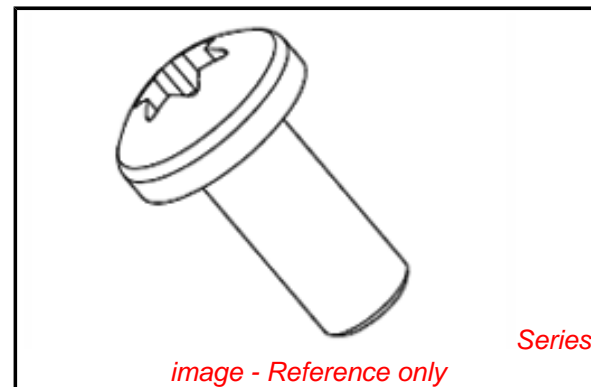
Current - Maximum per Contact	N/A
Voltage - Maximum	N/A

**Material Info**

**Reference - Drawing Numbers**

Product Specification	PS-47596-001
Sales Drawing	SD-47597-012

Intel and Nehalem and relevant names are either trademarks or registered trademarks of Intel Corporation



**EU RoHS**

**ELV and RoHS  
Compliant**  
**REACH SVHC  
Contains SVHC: No**  
**Halogen-Free  
Status**

**China RoHS**



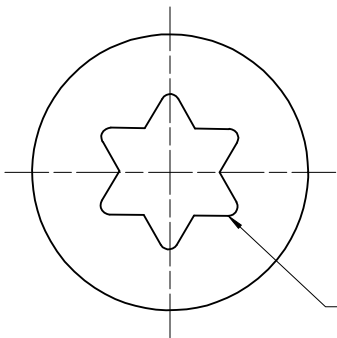
**Need more information on product  
environmental compliance?**

Email [productcompliance@molex.com](mailto:productcompliance@molex.com)  
 For a multiple part number RoHS Certificate of  
 Compliance, [click here](#)

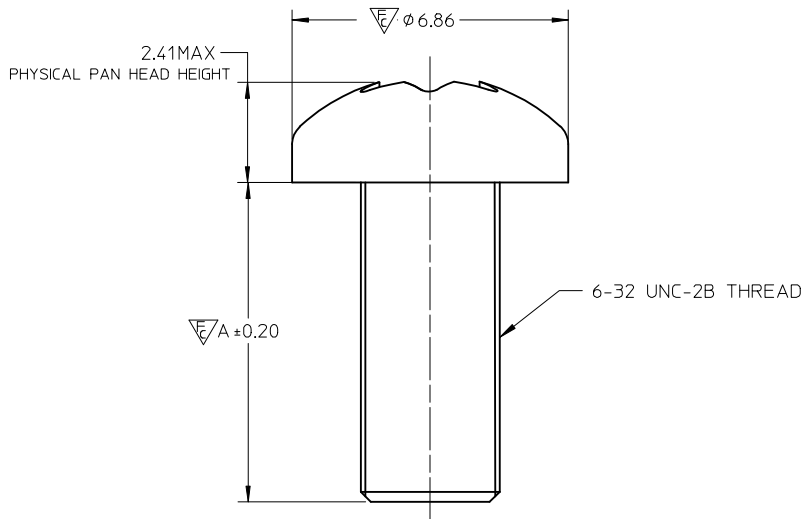
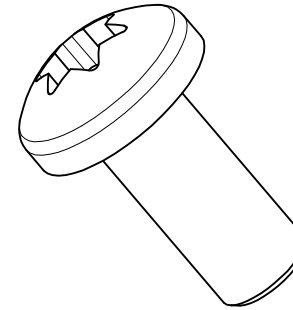
Please visit the [Contact Us](#) section for any  
 non-product compliance questions.

**Search Parts in this Series**  
[47596Series](#)

**Mates With**  
 Intel\* Nehalem Processor



6 POINT T-20 TORX DRIVE  
RECESS DEPTH 2MM MIN  
PARTIAL THREAD TAP IN  
TOOL RECESS OKAY



NOTES:

1. MATERIAL: LOW CARBON STEEL.  
MIN HARDNESS-ROCKEWELL HARDNESS B70.
2. PLATING: 2 MICRON MINIMUM ELECTROLYTIC NICKEL.  
PROCESS TEST: 48 HOURS AT 85°C/85% HUMIDITY WITH NO VISIBLE CORROSION.
3. REMOVE ALL BURRS OR SHARP EDGES AROUND PERIMETER OF PART.  
SHARPNESS OF EDGES SUBJECT TO HANDLING ARE REQUIRED TO MEET UL1439 TEST.
4. PART SHALL BE DEGREASED AND FREE OF OIL AND DIRT MARKS.
5. THE PART IS COMPLAINT TO RoHS DIRECTIVE 2002/95/EC AND ELV DIRECTIVE 2000/53/EC.

47597-6102	5.17
47597-6002	6.35
MATERIAL NUMBER	DIM A

ENTER DESCRIPTION EC NO: SH2010-0085 DRWN: ZHANG11 2009/09/25 CHKD: 2009/09/25 APPR: WEDENG 2009/10/12	QUALITY SYMBOLS	GENERAL TOLERANCES (UNLESS SPECIFIED)		DIMENSION STYLE	SCALE	DESIGN UNITS	THIRD ANGLE PROJECTION
	$\sqrt{F}=0$	mm	INCH	MM ONLY	6:1	METRIC	
	$\sqrt{E}=2$	4 PLACES ± --- ± ---	3 PLACES ± --- ± ---	DRAWN BY	DATE	TITLE	
	$\sqrt{A}=0$	2 PLACES ± 0.15 ± ---	1 PLACE ± 0.25 ± ---	CHECKED BY	DATE	SCR,PAN,T20,6X30,H/16"L	
	ANGULAR ± 1 °	DRAFT WHERE APPLICABLE MUST REMAIN WITHIN DIMENSIONS		APPROVED BY	DATE	MOLEX MOLEX INCORPORATED	
				MATERIAL NO.	SEE TABLE	DOCUMENT NO.	SHEET NO.
				SIZE	A3	THIS DRAWING CONTAINS INFORMATION THAT IS PROPRIETARY TO MOLEX INCORPORATED AND SHOULD NOT BE USED WITHOUT WRITTEN PERMISSION	
						SD-47597-012	1 OF 1