

M24758/3 45° Conduit Fitting

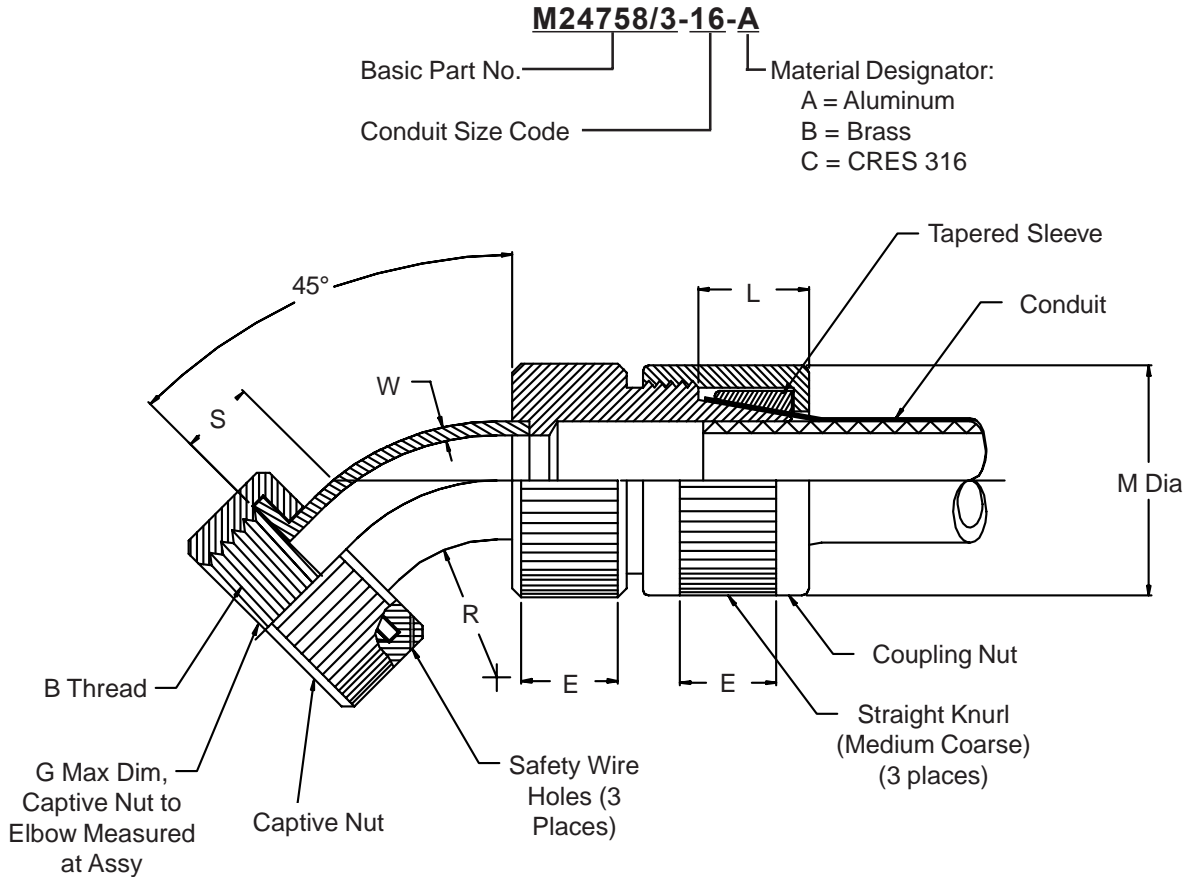


TABLE I

Conduit Size Code	B Thread (Class 2B)	E Knurl Length ±.06 (15.2)	G +.01 (-02 (.3))	L CONE LENGTH ±.06 (15.2)	M Dia (Maximum)	S +.06 (15.2)	R Bend Radius ±.06 (15.2)	W Wall Thickness (Minimum)
02	0.438- 28 UNEF	.500 (12.7)	.140 (3.6)	.750 (19.1)	.930 (23.6)	.370 (9.4)	.430 (10.9)	.028 (.7)
03	0.563- 24 UNEF	.500 (12.7)	.170 (4.3)	.750 (19.1)	1.120 (28.4)	.370 (9.4)	.560 (14.2)	.028 (.7)
04	0.688- 24 UNEF	.620 (15.7)	.170 (4.3)	.750 (19.1)	1.250 (31.8)	.370 (9.4)	.750 (19.1)	.028 (.7)
05	0.813- 20 UNEF	.620 (15.7)	.230 (5.8)	.750 (19.1)	1.430 (36.3)	.370 (9.4)	.870 (22.1)	.028 (.7)
06	0.938- 20 UNEF	.750 (19.1)	.230 (5.8)	.750 (19.1)	1.620 (41.1)	.370 (9.4)	1.060 (26.9)	.028 (.7)
08	1.250- 18 UNEF	.750 (19.1)	.290 (7.4)	1.000 (25.4)	1.810 (46.0)	.430 (10.9)	1.370 (34.8)	.028 (.7)
10	1.563- 18 UNEF	.870 (22.1)	.290 (7.4)	1.000 (25.4)	2.180 (55.4)	.430 (10.9)	1.680 (42.7)	.028 (.7)
12	1.875- 16 UN	.870 (22.1)	.350 (8.9)	1.000 (25.4)	2.560 (65.0)	.430 (10.9)	2.060 (52.3)	.058 (1.5)
16	2.375- 16 UN	1.000 (25.4)	.350 (8.9)	1.000 (25.4)	3.060 (77.7)	.430 (10.9)	2.680 (68.1)	.058 (1.5)
20	2.875- 16 UN	1.000 (25.4)	.350 (8.9)	1.000 (25.4)	3.680 (93.5)	.430 (10.9)	3.310 (84.1)	.058 (1.5)
24	3.375- 16 UN	1.000 (25.4)	.350 (8.9)	1.000 (25.4)	4.380(111.3)	.500 (12.7)	4.500(114.3)	.058 (1.5)

1. The function of the M24758/3 fitting is to terminate flexible shielding conduit and to provide a standard thread for attaching all M24758/9 through M24758/19 fittings.
2. Metric dimensions (mm) are indicated in parentheses.
3. For complete dimensions see applicable Military Specification.