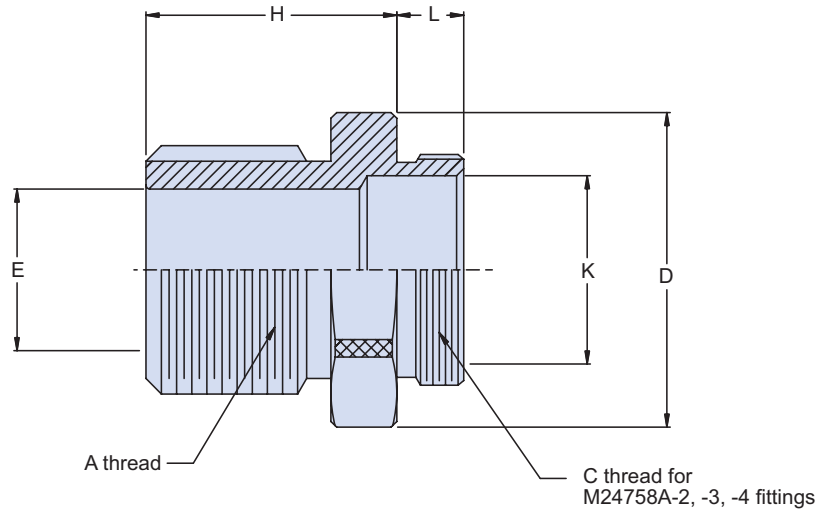


MIL-PRF-24758-16 Adapter for Miscellaneous Fittings

M24758 - 16 C 04

Basic No. _____
 Conduit Size Code, Table I _____
 A Thread Code, Table II _____



APPLICATION NOTES

1. Assembly identified with manufacturer's code identification number (Glenair, part number and classification code 490).
2. The M24758-16 adapter couples miscellaneous fittings to M24758-2, MS24758-3 or M24758-4 series fittings.
3. The American national thread series (N) has been superseded by the unified thread series (UN) the series N-thread sizes listed in table II are retained for use with those items which have series N-threads.
4. Material / Finish:
Adapter, - 316 / electroless nickel, matte finish.
5. Metric dimensions (mm) are indicated in parentheses.
6. See M24758-2, -3, -4 torque values for C thread.

MIL-PRF-24758-16
Adapter for Miscellaneous Fittings



MIL-PRF
24758A

TABLE I

CONDUIT SIZE CODE	C CLASS - 2A THREAD	L +.03 (.76) -.00	K DIA MIN
A	.438-28 UNEF	.21 (5.25)	.245 (6.22)
B	.688-24 UNEF	.25 (6.35)	.495 (12.57)
C	.938-20 UNEF	.31 (7.87)	.745 (18.92)
D	1.250-18 UNEF	.37 (9.40)	.995 (25.27)
E	1.563-18 UNEF	.37 (9.40)	1.245 (31.62)
F	1.875-16 UN	.43 (10.92)	1.495 (37.97)
G	2.375-16 UN	.43 (10.92)	1.995 (50.67)
H	2.875-16 UN	.43 (10.92)	2.495 (63.37)
J	.563-24 UNEF	.25 (6.35)	.370 (9.40)
K	.813-20 UNEF	.31 (7.87)	.620 (15.75)
L	3.375-16 UN	.43 (10.92)	2.995 (76.07)

TABLE II

A THREAD CODE	A CLASS - 2A THREAD	D DIM MAX	E DIA ± .005 (.13)	H DIM ± .02 (.51)	MAX CONDUIT SIZE
01	1.125-14 N	1.625 (41.28)	.500 (12.70)	1.250 (31.75)	B
03	1.280-14 N	1.750 (44.45)	.750 (19.05)	1.250 (31.75)	C
04	.750-14 NPSM	1.500 (38.10)	.750 (19.05)	1.250 (31.75)	C
06	1.000-11 1/2 NPSM	1.750 (44.45)	1.000 (25.40)	1.250 (31.75)	D
07	1.250-11 1/2 NPSM	2.000 (50.80)	1.000 (25.40)	1.250 (31.75)	D
09	1.250-11 1/2 NPSM	2.000 (50.80)	1.180 (29.97)	1.250 (31.75)	E
10	2.025-11 1/2 N	2.875 (73.03)	1.250 (31.75)	1.560 (39.62)	E
13	2.250-11 1/2 N	3.250 (82.55)	1.500 (38.10)	1.690 (42.93)	F
16	2.500-8 NPSM	3.500 (88.90)	2.000 (50.80)	2.000 (50.80)	G
19	3.000-8 NPSM	4.000 (101.60)	2.500 (63.50)	2.060 (25.32)	H
20	1.500-11 1/2 NPSM	2.500 (63.50)	1.500 (38.10)	1.250 (31.75)	F
21	2.000-11 1/2 NPSM	3.000 (76.20)	2.000 (50.80)	1.250 (31.75)	G