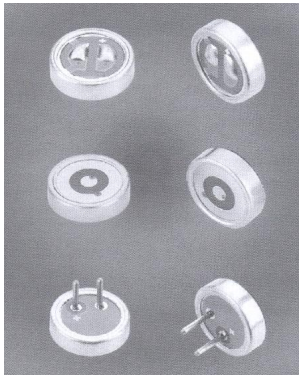


Soberton Inc.

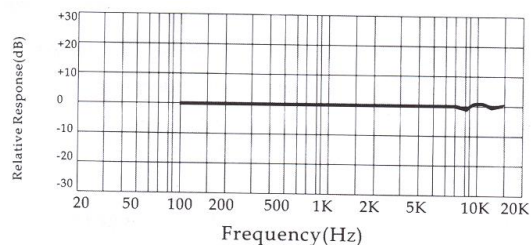
EM6018-BC, EM6018S-BC, EM6018P-BC

Omnidirectional Back Electret Condenser Microphone

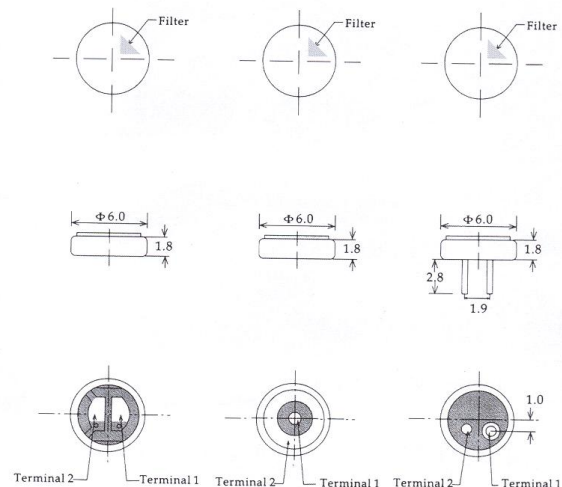


Sensitivity	0dB = 1V/Pa. 1KHz
Directivity	Omnidirectional
Impedance	Low Impedance
Current Consumption	Max. 0.5mA
Standard Operation Voltage	2.0V
Sensitivity Reduction	Within -3dB at 1.5V
S/N Ratio	More than 58dB
Sensitivity Range	-42 ± 4dB, -44 ± 4dB, -46 ± 4dB, -48 ± 4dB

Typical Frequency Response Curve:



EM6018-BC EM6018S-BC EM6018P-BC



Schematic Diagram:

