

PLEASE CHECK WWW.MOLEX.COM FOR LATEST PART INFORMATION

Part Number: [5018270101](#)
Status: **Active**
Overview: [cmc connectors](#)
Description: CMC Wire-to-Wire Connector Male Terminal 0.64, AVSS 0.3-0.5

Documents:

[Drawing \(PDF\)](#) [RoHS Certificate of Compliance \(PDF\)](#)

General

Product Family	Crimp Terminals
Series	501827
Crimp Quality Equipment	Yes
Overview	cmc connectors
Product Name	CMC

Physical	
Durability (mating cycles max)	1,000
Gender	Male
Material - Metal	Brass
Material - Plating Mating	Tin
Material - Plating Termination	Tin
Packaging Type	Reel
Plating min: Mating (µin)	35
Plating min: Mating (µm)	0.88
Plating min: Termination (µin)	35
Plating min: Termination (µm)	0.88
Termination Interface: Style	Crimp or Compression
Wire Insulation Diameter	1.40-1.7mm (AVSS 0.3-0.5)
Wire Size AWG	N/A
Wire Size mm ²	0.80-1.00

Electrical

Current - Maximum per Contact	3A, 5A
Voltage - Maximum	25V AC (RMS)/DC

Material Info

Reference - Drawing Numbers

Application Specification	AS-500993-002
Packaging Specification	SPK-501827-001
Product Specification	RPS-500993-001
Sales Drawing	SD-501827-001

EU RoHS

**ELV and RoHS
Compliant**

REACH SVHC

Contains SVHC: No

**Halogen-Free
Status**

Halogen-Free

China RoHS



**Need more information on product
environmental compliance?**

Email productcompliance@molex.com
 For a multiple part number RoHS Certificate of
 Compliance, [click here](#)

Please visit the [Contact Us](#) section for any
 non-product compliance questions.

Search Parts in this Series

[501827Series](#)

Use With

[501820 Plug Housing](#)

10 9 8 7 6 5 4 3 2 1

F

E

D

C

B

A

F

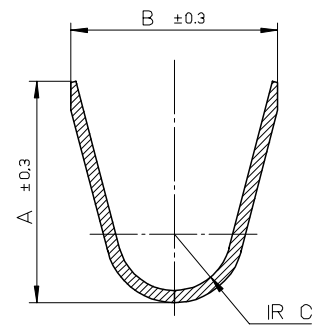
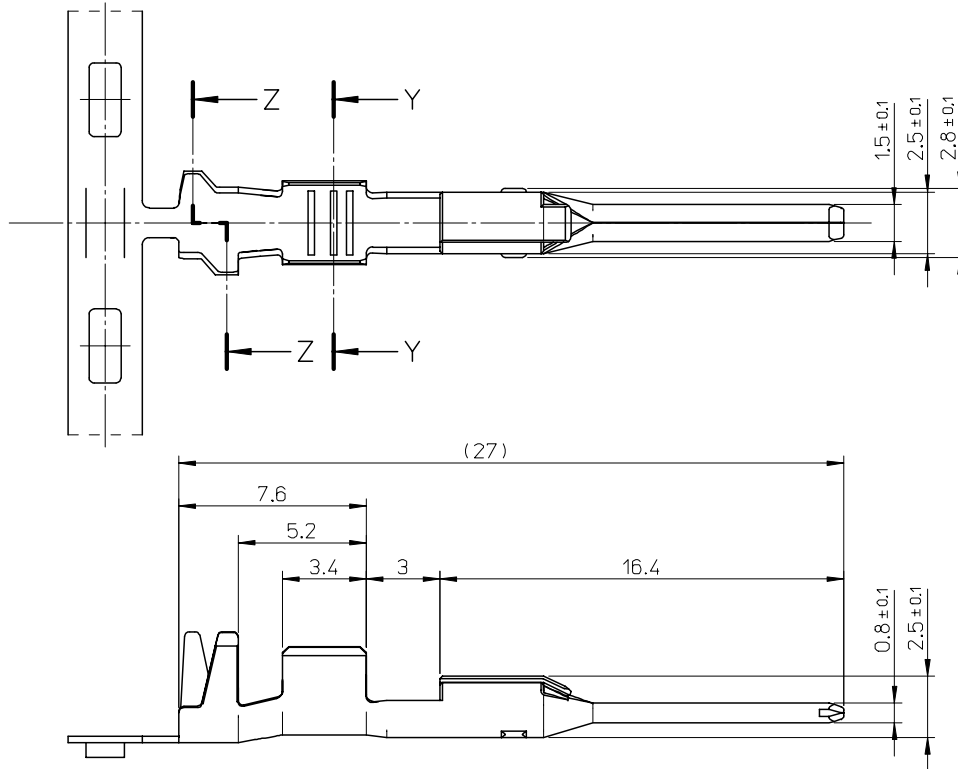
E

D

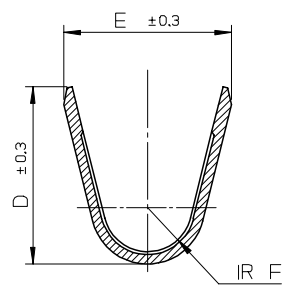
C

B

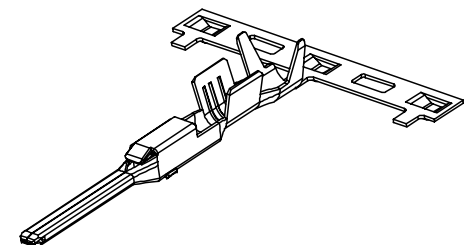
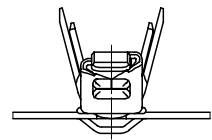
A



SECTION Z-Z
Scale 10:1



SECTION Y-Y
Scale 10:1



0.6	2.9	2.5	1	3.9	3.8	AVSS 0.85	501828-0101	CHAIN
0.9	3.4	3.6	1.15	4.2	4.5	AVSS 1.25-2.0	501828-0111	CHAIN
F	E	D	C	B	A	WIRE RANGE	MATERIAL NO.	FORM

注記
NOTES

1. 材料：黄銅、錫めっき材 (t=0.25)
MATERIAL : PRE-TIN BRASS (t=0.25)
2. 適合ハウジング：501820-3209
APPLICABLE HOUSING : 501820-3209

RELEASED EC NO: J2006-2342 DRW:HKOMATSU 2006/01/25 CHKD:TAITO 2006/01/25 APPR:AKANESHIGE 2006/01/27	GENERAL TOLERANCES (UNLESS SPECIFIED)		DIMENSION STYLE MM ONLY		SCALE 5:1	DESIGN UNITS METRIC	THIRD ANGLE PROJECTION	
	10 UNDER	±0.2	DRAWN BY HKOMATSU		DATE 2005/9/8			
	10 OVER 30 UNDER	±0.25	CHECKED BY TAITO		DATE 2005/9/9			
	30 OVER	±0.3	APPROVED BY AKANESHIGE		DATE 2005/9/9			
	ANGULAR	±1 °	MATERIAL NO.		DOCUMENT NO.		SHEET NO.	
	DRAFT WHERE APPLICABLE MUST REMAIN WITHIN DIMENSIONS		SEE CHART		SD-501828-001		1 OF 1	
0	SIZE	A3	THIS DRAWING CONTAINS INFORMATION THAT IS PROPRIETARY TO MOLEX INCORPORATED AND SHOULD NOT BE USED WITHOUT WRITTEN PERMISSION					

CMC W/W CONN.
MALE TERMINAL 1.5
-LEAD FREE-
MOLEX MOLEX INCORPORATED