

PLEASE CHECK WWW.MOLEX.COM FOR LATEST PART INFORMATION

Part Number: [0885234501](#)
Status: **Active**
Overview: [fiber optic product families](#)
Description: SC/APC-to-SC/APC, Singlemode, 9/125µm/G652, Simplex, 3.00mm (.118"), Standard Fiber Optic Cable Assembly, 2.0m (6.56')

Documents:

[Drawing \(PDF\)](#) [RoHS Certificate of Compliance \(PDF\)](#)

General

Product Family	Fiber Optic Assemblies
Series	88523
Connector to Connector	SC/APC-to-SC/APC
Mode	Singlemode
Obsolete Date	2003/01/01
Overview	fiber optic product families
Product Name	SC

Physical

Cable Length	2.0m (6.56')
Cable Size	3.00mm (.118")
Fiber (Core/Cladding)	9/125µm/G652
Single Ended	No
Wire/Cable Type	Simplex

Material Info

Reference - Drawing Numbers

Sales Drawing	SD-88523-058
---------------	--------------

EU RoHS

ELV and RoHS

Compliant

REACH SVHC

Not Reviewed

Halogen-Free

Status

Not Reviewed

China RoHS



Need more information on product environmental compliance?

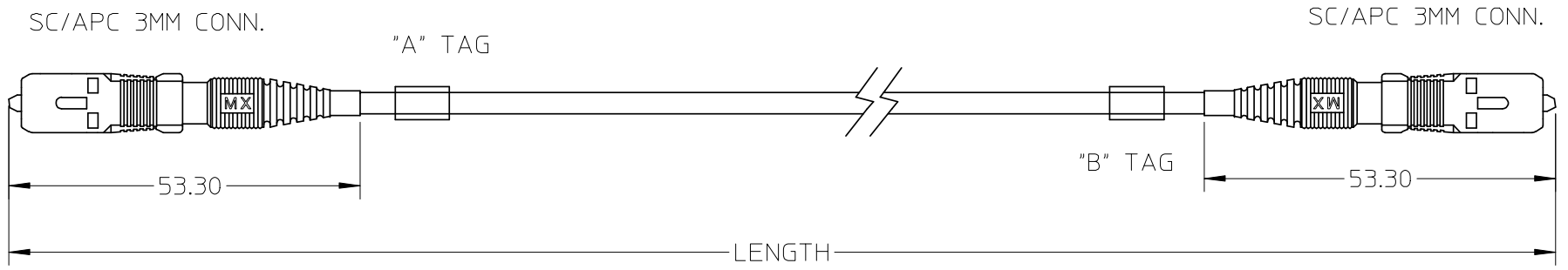
Email productcompliance@molex.com
 For a multiple part number RoHS Certificate of Compliance, [click here](#)

Please visit the [Contact Us](#) section for any non-product compliance questions.

Search Parts in this Series

[88523Series](#)

E



D

C

B

A

NOTES:
 1. DUST CAPS ARE NOT SHOWN
 2. PER CHANNEL @ 1310nm
 IL<=0.4dB, RL>60dB

ENTER DESCRIPTION EC NO: DG2008-0155 DRWN:XPCHEN CHKD: APPR: JOWANG	2008/06/13	DESCRIPTION REV
	2008/06/13	
	2008/06/16	

QUALITY SYMBOLS
▽=0
▽=0

GENERAL TOLERANCES (UNLESS SPECIFIED)	DIMENSION STYLE	
	MM ONLY	
	mm	INCH
	4 PLACES	± --- ± ---
	3 PLACES	± --- ± ---
	2 PLACES	± --- ± ---
	1 PLACE	± --- ± ---
	ANGULAR ± --- °	
DRAFT WHERE APPLICABLE MUST REMAIN WITHIN DIMENSIONS		

885234598	SC/APC-SC/APC SIM SM 3MM 1.5M	1500(+150/-0)
885234514	SC/APC-SC/APC SIM SM 3MM 15M	15000(+200/-0)
885234511	SC/APC-SC/APC SIM SM 3MM 12M	12000(+200/-0)
885234509	SC/APC-SC/APC SIM SM 3MM 10M	10000(+200/-0)
885234507	SC/APC-SC/APC SIM SM 3MM 8M	8000(+200/-0)
885234506	SC/APC-SC/APC SIM SM 3MM 7M	7000(+200/-0)
885234504	SC/APC-SC/APC SIM SM 3MM 5M	5000(+200/-0)
885234503	SC/APC-SC/APC SIM SM 3MM 6M	6000(+200/-0)
885234502	SC/APC-SC/APC SIM SM 3MM 3M	3000(+200/-0)
885234501	SC/APC-SC/APC SIM SM 3MM 2M	2000(+200/-0)
885234500	SC/APC-SC/APC SIM SM 3MM 1M	1000(+100/-0)
MX P/N	DESCRIPTION	LENGTH

DRAWN BY XP	DATE 2008/06/11	TITLE SC/APC-SC/APC SIM SM 3MM
CHECKED BY LISA	DATE 2008/06/11	MOLEX INCORPORATED
APPROVED BY JOHNNY	DATE 2008/06/11	
MATERIAL NO. SEE TABLE	DOCUMENT NO. SD-88523-058	SHEET NO. 1 OF 1
THIS DRAWING CONTAINS INFORMATION THAT IS PROPRIETARY TO MOLEX INCORPORATED AND SHOULD NOT BE USED WITHOUT WRITTEN PERMISSION		