

**PLEASE CHECK WWW.MOLEX.COM FOR LATEST PART INFORMATION**

**Part Number:** [0877056050](#)  
**Status:** **Active**  
**Description:** 1.00mm (.039") Pitch DDR-II DIMM 240 Circuits Socket, Vertical, 1.8 Voltage, 2.54mm (.100") Tail Length, Black Latches, Nylon 6/6 Glass-filled, Black Housing, Gold (Au) Flash, Beveled Metal Pins Width 3.00mm (.118")

**Documents:**

[3D Model](#) [RoHS Certificate of Compliance \(PDF\)](#)  
[Drawing \(PDF\)](#)

**General**

Product Family	Memory Module Sockets
Series	<a href="#">87705</a>
Comments	<LI>Black Latches <LI>Insertion Force: 10Kg (98N) Max. <LI>Beveled Metal Pin Width: 3.00mm (.118")
Component Type	Socket
JEDEC Outline	MO-237
Product Name	DDR2 DIMM

**Physical**

Circuits (Loaded)	240
Durability (mating cycles max)	25
Entry Angle	Vertical (Top Entry)
Keying to Mating Part	Yes
Material - Plating Mating	Gold
PC Tail Length (in)	0.100 In
PC Tail Length (mm)	2.54 mm
PCB Retention	Yes
PCB Thickness Recommended (in)	0.062 In
PCB Thickness Recommended (mm)	1.60 mm
Packaging Type	Tray
Pitch - Mating Interface (in)	0.039 In
Pitch - Mating Interface (mm)	1.00 mm
Temperature Range - Operating	-10°C to +85°C
Termination Interface: Style	Through Hole

**Electrical**

Current - Maximum per Contact	0.5A
Voltage - Maximum	30V
Voltage Key	1.8V, Center

**Solder Process Data**

Replacement RoHS Compliant Part Number	0877057050
--	------------

**Material Info**

**EU RoHS**

**Not RoHS Compliant**

**REACH SVHC**

Not Reviewed

**Halogen-Free**

Status

**Not Reviewed**

**China RoHS**



**Need more information on product environmental compliance?**

Email [productcompliance@molex.com](mailto:productcompliance@molex.com)  
 For a multiple part number RoHS Certificate of Compliance, [click here](#)

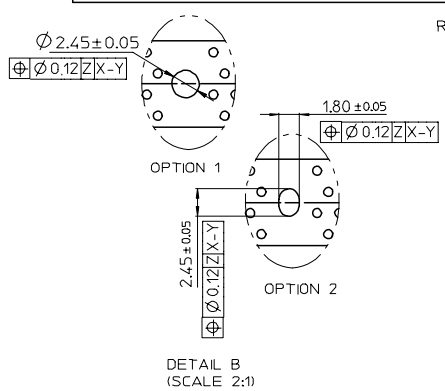
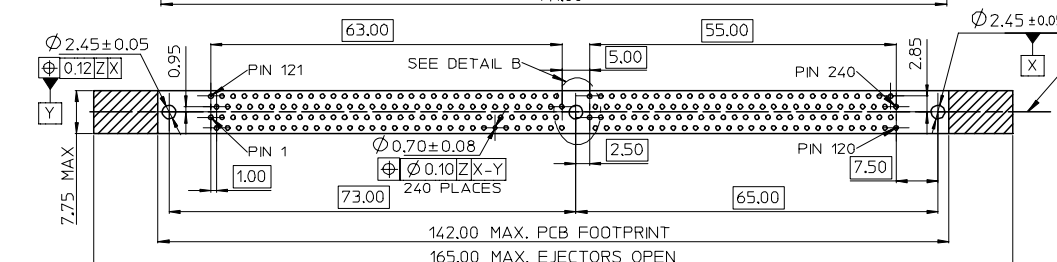
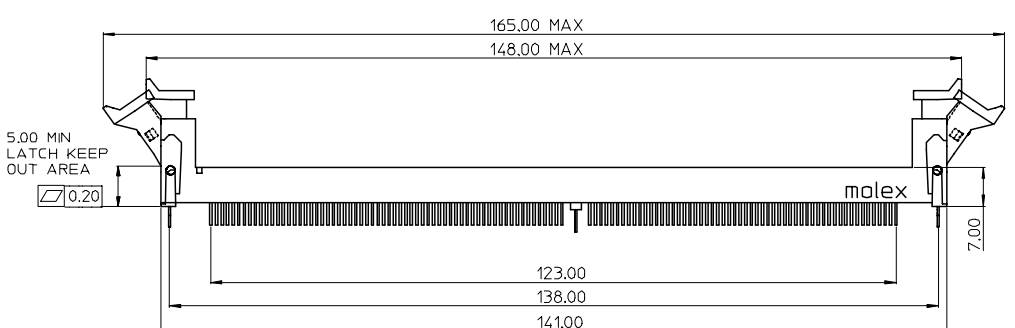
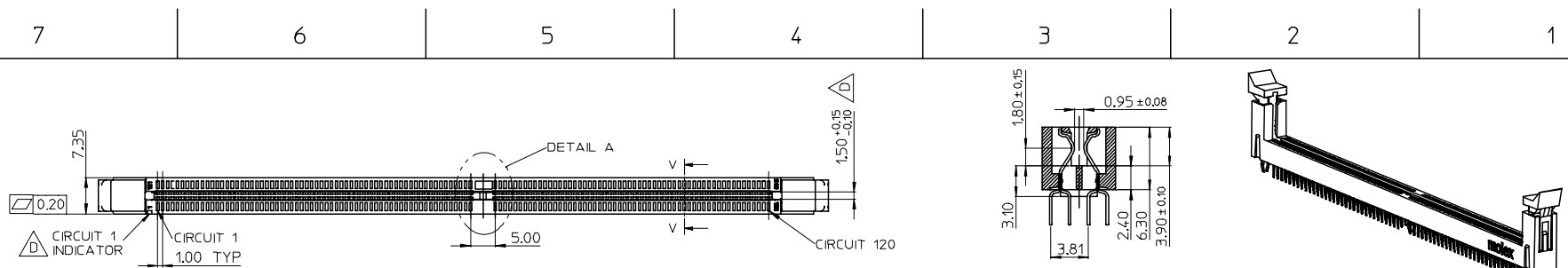
Please visit the [Contact Us](#) section for any non-product compliance questions.

**Search Parts in this Series**

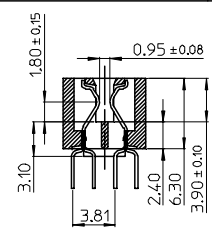
[87705Series](#)

**Mates With**

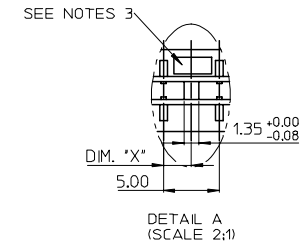
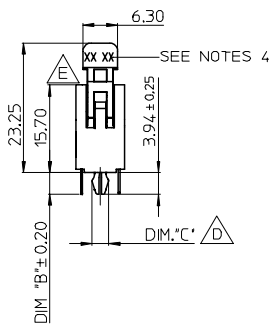
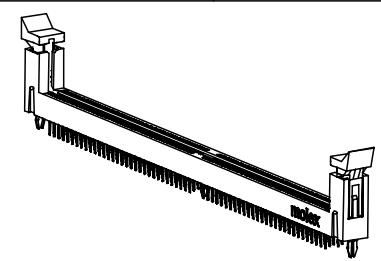
JEDEC standard 1.27mm modules



RECOMMENDED PCB LAYOUT  
CONNECTOR SIDE



DETAIL V-V  
(SCALE 2:1)

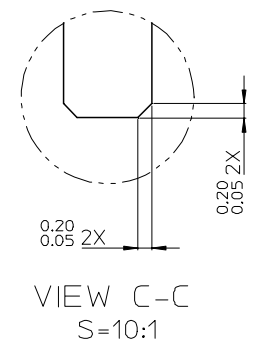
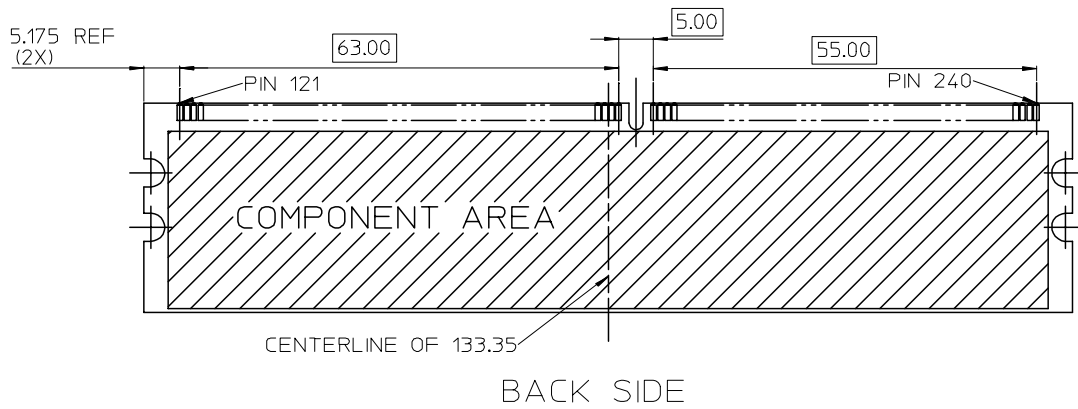
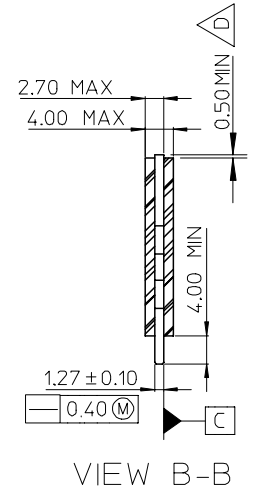
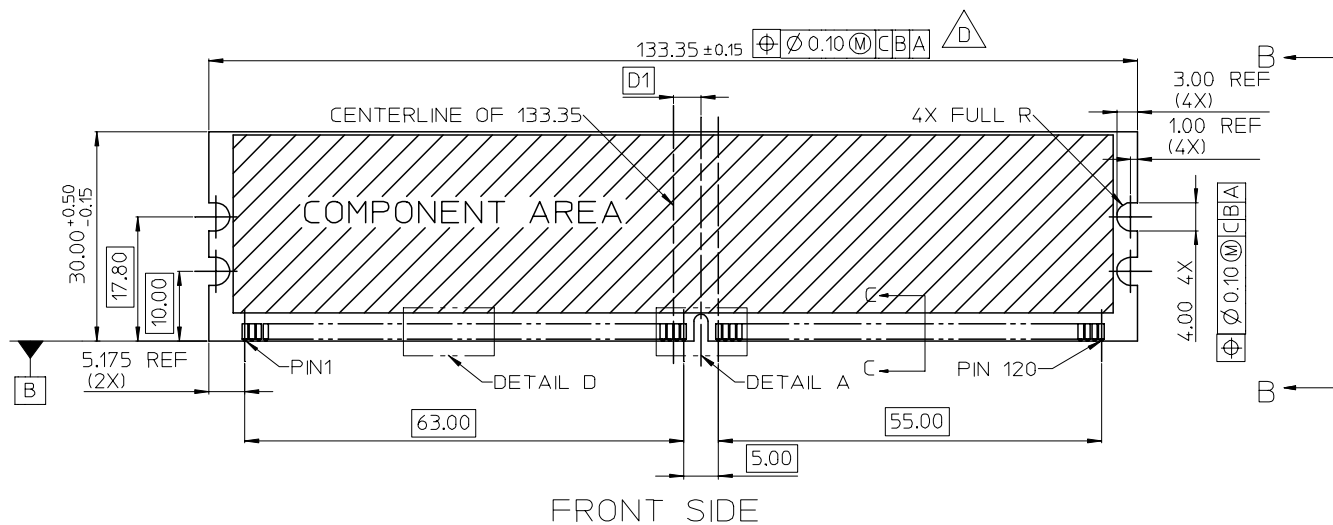


KEY LOCATION	VOLTAGE	DIM.'X'
LEFT	2.5V	1.50
CENTER	1.8V	2.50

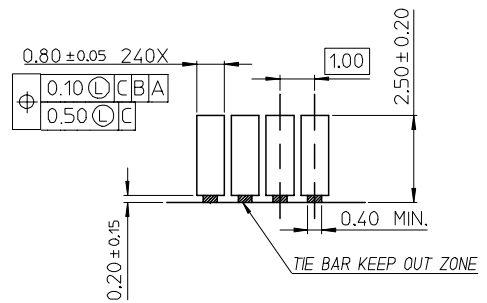
- NOTES:
- MATERIAL:  
HOUSING: SEE TABLE ,GLASS FIBER FILLED UL94V-0,COLOR:SEE TABLE.  
LATCH: POLYAMIDE, GLASS FIBER FILLED UL94V-0. COLOR : SEE TABLE.  
FORKLOCK: BRASS  
TERMINAL: SEE TABLE.
  - PLATING:  
TERMINAL :  
CONTACT AREA: SEE TABLE.  
SOLDER TAIL: 100 MICRONCH MIN. TIN / LEAD.  
UNDER PLATING: NICKEL OVERALL.  
FORKLOCK :  
SOLDER AREA: 100 MICRONCH MIN. TIN.  
UNDER PLATING: NICKEL OVERALL.
  - VOLTAGE: SEE TABLE
  - DATE CODE=XXXXYYWW
  - PRODUCT SPECIFICATION REFER TO PS-87705-800.
  - PACKAGING SPECIFICATION REFER TO PK-87705-800.
  - TEST SUMMARY:REFER TO TS-87705-800.

REV	DESCRIPTION	QUALITY SYMBOLS		GENERAL TOLERANCES (UNLESS SPECIFIED)		DIMENSION STYLE		SCALE	DESIGN UNITS	THIRD ANGLE PROJECTION	
		▽=0	∇=0	mm	INCH	MM ONLY	1:1	METRIC	⊙	□	
ADD NEW P/N	2006/11/22			4 PLACES	± ---	± ---	DRAWN BY	DATE	TITLE	1.0MM PITCH DDR II 240 CKTS (FORKLOCK VERSION)	
EC NO: SH2007-0145	2006/11/24			3 PLACES	± ---	± ---	TOM	2004/07/19			
DRWN: BKANG	2006/11/24			2 PLACES	± 0.25	± ---	CHECKED BY	DATE		MOLEX INCORPORATED	
CHKD:				1 PLACE	± 0.25	± ---	ALL IN	2004/07/19			
APPR: WWSCHANG	2006/11/24			ANGULAR ± 3 °			APPROVED BY	DATE		MOLEX INCORPORATED	
				DRAFT WHERE APPLICABLE MUST REMAIN WITHIN DIMENSIONS			WWSCHANG	2004/07/19			
							MATERIAL NO.	DOCUMENT NO.		SHEET NO.	
							SEE TABLE	SD-87705-800		1 OF 10	
							SIZE	THIS DRAWING CONTAINS INFORMATION THAT IS PROPRIETARY TO MOLEX INCORPORATED AND SHOULD NOT BE USED WITHOUT WRITTEN PERMISSION			





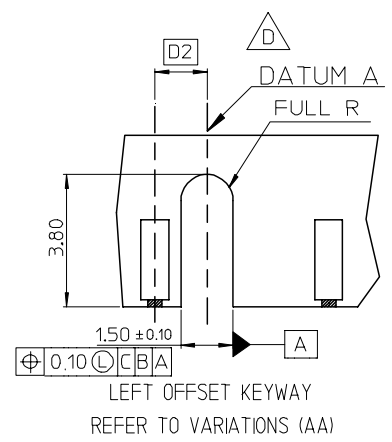
SEE SHEET 1 EC NO: SH2007-0145 DRWN: BKANG CHKD: APPR: WWSCHANG	2006/11/22 2006/11/24 2006/11/24	DESCRIPTION REV	QUALITY SYMBOLS	GENERAL TOLERANCES (UNLESS SPECIFIED) <table border="1"> <tr> <td></td> <td>mm</td> <td>INCH</td> </tr> <tr> <td>4 PLACES</td> <td>± ---</td> <td>± ---</td> </tr> <tr> <td>3 PLACES</td> <td>± ---</td> <td>± ---</td> </tr> <tr> <td>2 PLACES</td> <td>± 0.25</td> <td>± ---</td> </tr> <tr> <td>1 PLACE</td> <td>± 0.25</td> <td>± ---</td> </tr> </table>		mm	INCH	4 PLACES	± ---	± ---	3 PLACES	± ---	± ---	2 PLACES	± 0.25	± ---	1 PLACE	± 0.25	± ---	DIMENSION STYLE	SCALE	DESIGN UNITS	THIRD ANGLE PROJECTION
					mm	INCH																	
			4 PLACES		± ---	± ---																	
			3 PLACES		± ---	± ---																	
2 PLACES	± 0.25	± ---																					
1 PLACE	± 0.25	± ---																					
▽=0 ◻=0	MM ONLY	1:1	METRIC		DRAWN BY	DATE	TITLE																
					TOM	2004/07/19	1.0MM PITCH DDR II 240 CKTS (FORKLOCK VERSION)																
					CHECKED BY	DATE																	
					ALL IN	2004/07/19																	
					APPROVED BY	DATE																	
					WWSCHANG	2004/07/19	MOLEX INCORPORATED																
					MATERIAL NO.	DOCUMENT NO.	SHEET NO.																
					SEE TABLE	SD-87705-800	2 OF 10																
					SIZE	THIS DRAWING CONTAINS INFORMATION THAT IS PROPRIETARY TO MOLEX INCORPORATED AND SHOULD NOT BE USED WITHOUT WRITTEN PERMISSION																	
					A/4																		



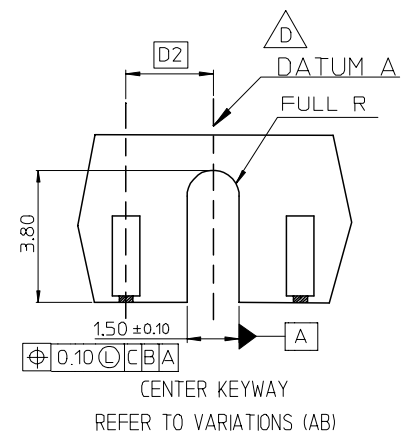
DETAIL D

△ VARIATIONS

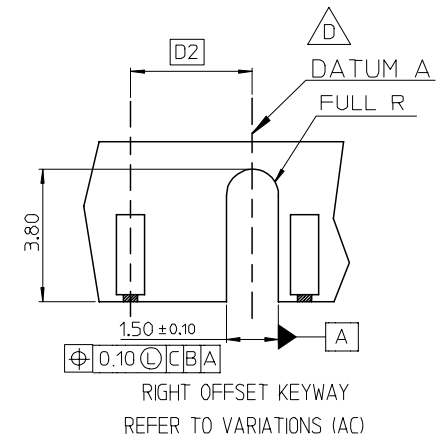
VAR SYMBOL \	AA	AB	AC
D1	3.00 BASIC	4.00 BASIC	5.00 BASIC
D2	1.50 BASIC	2.50 BASIC	3.50 BASIC



LEFT OFFSET KEYWAY  
REFER TO VARIATIONS (AA)



CENTER KEYWAY  
REFER TO VARIATIONS (AB)



RIGHT OFFSET KEYWAY  
REFER TO VARIATIONS (AC)

DETAIL A S=5:1  
CENTER KEY ZONE

THIS DESIGN IS BASED ON DESIGN OBJECTIVES AND IS STRICTLY TENTATIVE. IT MAY CHANGE BASED ON RESULTS OF ADDITIONS DESIGN REVIEWS AND VERIFICATIONS.

SEE SHEET 1 EC NO: SH2007-0145 DRWN: BKANG 2006/11/22 CHKD: 2006/11/24 APPR: WWSCHANG 2006/11/24	QUALITY SYMBOLS	GENERAL TOLERANCES (UNLESS SPECIFIED)	DIMENSION STYLE	SCALE	DESIGN UNITS	THIRD ANGLE PROJECTION															
	$\nabla = 0$ $\nabla C = 0$	<table border="1"> <thead> <tr> <th></th> <th>mm</th> <th>INCH</th> </tr> </thead> <tbody> <tr> <td>4 PLACES</td> <td>± ---</td> <td>± ---</td> </tr> <tr> <td>3 PLACES</td> <td>± ---</td> <td>± ---</td> </tr> <tr> <td>2 PLACES</td> <td>± 0.25</td> <td>± ---</td> </tr> <tr> <td>1 PLACE</td> <td>± 0.25</td> <td>± ---</td> </tr> </tbody> </table>		mm	INCH	4 PLACES	± ---	± ---	3 PLACES	± ---	± ---	2 PLACES	± 0.25	± ---	1 PLACE	± 0.25	± ---	MM ONLY		METRIC	
		mm	INCH																		
	4 PLACES	± ---	± ---																		
	3 PLACES	± ---	± ---																		
2 PLACES	± 0.25	± ---																			
1 PLACE	± 0.25	± ---																			
	ANGULAR ± 3 °	DRAWN BY	DATE	TITLE																	
	DRAFT WHERE APPLICABLE MUST REMAIN WITHIN DIMENSIONS	TOM	2004/07/19	1.0MM PITCH DDR II 240 CKTS (FORKLOCK VERSION)																	
		CHECKED BY	DATE	MOLEX INCORPORATED																	
		ALL IN	2004/07/19	SHEET NO. 3 OF 10																	
		APPROVED BY	DATE	DOCUMENT NO. SD-87705-800																	
		WWSCHANG	2004/07/19	THIS DRAWING CONTAINS INFORMATION THAT IS PROPRIETARY TO MOLEX INCORPORATED AND SHOULD NOT BE USED WITHOUT WRITTEN PERMISSION																	

7		6		5		4		3		2		1	
MOLEX P/N	HOUSING MATERIAL	HOUSING COLOR	LATCH COLOR	TERMINAL MATERIAL	CONTACT PLATING	SOLDERTAIL LENGTH "B"	FORKLOCK WIDTH "C"	VOLTAGE					
87705-6000	NYLON66	BLACK	WHITE	PHOSPHOR BROZNE	GOLD FLASH	2.54	△ 2.70±0.10	1.8					
87705-6001					10 MICROINCH GOLD								
87705-6002					15 MICROINCH GOLD								
87705-6003					GOLD FLASH								
87705-6004					10 MICROINCH GOLD								
87705-6005					15 MICROINCH GOLD								
87705-6010		GOLD FLASH			3.00								
87705-6011		10 MICROINCH GOLD											
87705-6012		15 MICROINCH GOLD											
87705-6013		GOLD FLASH											
87705-6014		10 MICROINCH GOLD											
87705-6015		15 MICROINCH GOLD											
87705-6020		BLUE (287U)			△ 2.54								
87705-6021						GOLD FLASH							
87705-6022						10 MICROINCH GOLD							
87705-6023						15 MICROINCH GOLD							
87705-6024						GOLD FLASH							
87705-6025						10 MICROINCH GOLD							
87705-6030		GREEN (348C)			△ 3.00								
87705-6031						GOLD FLASH							
87705-6032						10 MICROINCH GOLD							
87705-6033						15 MICROINCH GOLD							
87705-6034						GOLD FLASH							
87705-6035						10 MICROINCH GOLD							
87705-6040		PURPLE (2736U)			△ 2.54								
87705-6041						GOLD FLASH							
87705-6042						10 MICROINCH GOLD							
87705-6043						15 MICROINCH GOLD							
87705-6044						GOLD FLASH							
87705-6045						10 MICROINCH GOLD							
△ 87705-6060	ORANGE (151C)	△ 3.00											
△ 87705-6061			GOLD FLASH										
△ 87705-6062			10 MICROINCH GOLD										
△ 87705-6063			15 MICROINCH GOLD										
△ 87705-6064			GOLD FLASH										
△ 87705-6065			10 MICROINCH GOLD										
△ 87705-6066	GOLD FLASH	2.30											
△ 87705-6067			30u"Gold	2.54									

SEE SHEET 1 EC NO: SH2007-0145 DRWN: BKANG 2006/11/22 CHKD: 2006/11/24 APPR: WWSCHANG 2006/11/24	QUALITY SYMBOLS ▽=0 ◻=0	GENERAL TOLERANCES (UNLESS SPECIFIED)		DIMENSION STYLE MM ONLY		SCALE 1:1	DESIGN UNITS METRIC	THIRD ANGLE PROJECTION		
			mm	INCH	DRAWN BY TOM	DATE 2004/07/19	TITLE 1.0MM PITCH DDR II 240 CKTS (FORKLOCK VERSION)			
		4 PLACES	±---	±---	CHECKED BY ALL IN	DATE 2004/07/19				
		3 PLACES	±---	±---	APPROVED BY WWSCHANG	DATE 2004/07/19	MOLEX MOLEX INCORPORATED			
		2 PLACES	±0.25	±---	MATERIAL NO. SEE TABLE	DOCUMENT NO. SD-87705-800	SHEET NO. 4 OF 10			
1 PLACE	±0.25	±---	DRAFT WHERE APPLICABLE MUST REMAIN WITHIN DIMENSIONS		THIS DRAWING CONTAINS INFORMATION THAT IS PROPRIETARY TO MOLEX INCORPORATED AND SHOULD NOT BE USED WITHOUT WRITTEN PERMISSION					

E  
D  
C  
B  
A

E  
D  
C  
B  
A

MOLEX P/N	HOUSING MATERIAL	HOUSING COLOR	LATCH COLOR	TERMINAL MATERIAL	CONTACT PLATING	SOLDERTAIL LENGTH "B"	FORKLOCK WIDTH "C"	VOLTAGE
87705-6100	NYLON66	BLACK	WHITE	BRASS	GOLD FLASH	2.54	$\triangle_D$ 2.70±0.10	1.8
87705-6101					10 MICROINCH GOLD			
87705-6102					15 MICROINCH GOLD			
87705-6103					GOLD FLASH			
87705-6104					10 MICROINCH GOLD			
87705-6105					15 MICROINCH GOLD			
87705-6110		WHITE			GOLD FLASH	2.54		
87705-6111					10 MICROINCH GOLD			
87705-6112					15 MICROINCH GOLD			
87705-6113					GOLD FLASH			
87705-6114					10 MICROINCH GOLD			
87705-6115					15 MICROINCH GOLD			
87705-6120		BLUE (287U)			GOLD FLASH	2.54		
87705-6121					10 MICROINCH GOLD			
87705-6122					15 MICROINCH GOLD			
87705-6123					GOLD FLASH			
87705-6124					10 MICROINCH GOLD			
87705-6125					15 MICROINCH GOLD			
87705-6130		$\triangle_D$ GREEN (348C)			GOLD FLASH	2.54		
87705-6131					10 MICROINCH GOLD			
87705-6132					15 MICROINCH GOLD			
87705-6133					GOLD FLASH			
87705-6134					10 MICROINCH GOLD			
87705-6135					15 MICROINCH GOLD			
87705-6140		$\triangle_D$ PURPLE (2736U)			GOLD FLASH	2.54		
87705-6141					10 MICROINCH GOLD			
87705-6142					15 MICROINCH GOLD			
87705-6143					GOLD FLASH			
87705-6144	10 MICROINCH GOLD							
87705-6145	15 MICROINCH GOLD							

SEE SHEET 1 EC NO: SH2007-0145 DRWN: BKANG CHKD: APPR: WWSCHANG	2006/11/22 2006/11/24 2006/11/24	DESCRIPTION REV	QUALITY SYMBOLS	GENERAL TOLERANCES (UNLESS SPECIFIED)	DIMENSION STYLE	SCALE	DESIGN UNITS	THIRD ANGLE PROJECTION
			$\blacktriangledown=0$	mm INCH	MM ONLY	1:1	METRIC	
			$\triangle=0$	4 PLACES ± --- ± ---	DRAWN BY DATE	TITLE		
				3 PLACES ± --- ± ---	TOM 2004/07/19	1.0MM PITCH DDR II		
				2 PLACES ± 0.25 ± ---	CHECKED BY DATE	240 CKTS		
	1 PLACE ± 0.25 ± ---	ALL IN 2004/07/19	(FORKLOCK VERSION)					
	ANGULAR ± 3 °	APPROVED BY DATE	MOLEX INCORPORATED					
	DRAFT WHERE APPLICABLE MUST REMAIN WITHIN DIMENSIONS	WWSCHANG 2004/07/19	MATERIAL NO.	DOCUMENT NO.	SHEET NO.			
			SEE TABLE	SD-87705-800	5 OF 10			
			SIZE $\frac{A}{4}$	THIS DRAWING CONTAINS INFORMATION THAT IS PROPRIETARY TO MOLEX INCORPORATED AND SHOULD NOT BE USED WITHOUT WRITTEN PERMISSION				

7 6 5 4 3 2 1

E

D

C

B

A

E

D

C

B

A

MOLEX P/N	HOUSING MATERIAL	HOUSING COLOR	LATCH COLOR	TERMINAL MATERIAL	CONTACT PLATING	SOLDERTAIL LENGTH "B"	FORKLOCK WIDTH "C"	VOLTAGE
87705-6200	NYLON66	BLACK	WHITE	PHOSPHOR BROZNE	GOLD FLASH	2.54	$\triangle_D$ 2.70±0.10	2.5
87705-6201					10 MICROINCH GOLD			
87705-6202					15 MICROINCH GOLD			
87705-6203					GOLD FLASH			
87705-6204					10 MICROINCH GOLD			
87705-6205					15 MICROINCH GOLD			
87705-6210		WHITE			GOLD FLASH	2.54		
87705-6211					10 MICROINCH GOLD			
87705-6212					15 MICROINCH GOLD			
87705-6213					GOLD FLASH			
87705-6214					10 MICROINCH GOLD			
87705-6215					15 MICROINCH GOLD			
87705-6220		BLUE (287U)			GOLD FLASH	2.54		
87705-6221					10 MICROINCH GOLD			
87705-6222					15 MICROINCH GOLD			
87705-6223					GOLD FLASH			
87705-6224					10 MICROINCH GOLD			
87705-6225					15 MICROINCH GOLD			
87705-6230		$\triangle_D$ GREEN (348C)			GOLD FLASH	2.54		
87705-6231					10 MICROINCH GOLD			
87705-6232					15 MICROINCH GOLD			
87705-6233					GOLD FLASH			
87705-6234					10 MICROINCH GOLD			
87705-6235					15 MICROINCH GOLD			
87705-6240		$\triangle_D$ PURPLE (2736U)			GOLD FLASH	2.54		
87705-6241					10 MICROINCH GOLD			
87705-6242					15 MICROINCH GOLD			
87705-6243					GOLD FLASH			
87705-6244	10 MICROINCH GOLD							
87705-6245	15 MICROINCH GOLD							

SEE SHEET 1 EC NO: SH2007-0145 DRWN: BKANG CHKD: APPR: WWSCHANG	2006/11/22 2006/11/24 2006/11/24	DESCRIPTION REV	QUALITY SYMBOLS	GENERAL TOLERANCES (UNLESS SPECIFIED)	DIMENSION STYLE	SCALE	DESIGN UNITS	THIRD ANGLE PROJECTION
			$\blacktriangledown=0$	mm INCH	MM ONLY	1:1	METRIC	
			$\triangle=0$	4 PLACES ± --- ± ---	DRAWN BY DATE	TITLE		
				3 PLACES ± --- ± ---	TOM 2004/07/19			
				2 PLACES ± 0.25 ± ---	CHECKED BY DATE	1.0MM PITCH DDR II 240 CKTS (FORKLOCK VERSION)		
	1 PLACE ± 0.25 ± ---	ALL IN 2004/07/19						
	ANGULAR ± 3 °	APPROVED BY DATE	MOLEX INCORPORATED					
		WWSCHANG 2004/07/19						
	DRAFT WHERE APPLICABLE MUST REMAIN WITHIN DIMENSIONS	MATERIAL NO.	DOCUMENT NO.		SHEET NO.			
		SEE TABLE	SD-87705-800		6 OF 10			
		SIZE $\triangle_4$	THIS DRAWING CONTAINS INFORMATION THAT IS PROPRIETARY TO MOLEX INCORPORATED AND SHOULD NOT BE USED WITHOUT WRITTEN PERMISSION					

6 5 4 3 2 1



E

D

C

B

A

E

D

C

B

A

MOLEX P/N	HOUSING MATERIAL	HOUSING COLOR	LATCH COLOR	TERMINAL MATERIAL	CONTACT PLATING	SOLDERTAIL LENGTH "B"	FORKLOCK WIDTH "C"	VOLTAGE
87705-6300	NYLON66	BLACK	WHITE	BRASS	GOLD FLASH	2.54	2.70±0.10	2.5
87705-6301					10 MICROINCH GOLD			
87705-6302					15 MICROINCH GOLD			
87705-6303					GOLD FLASH			
87705-6304					10 MICROINCH GOLD			
87705-6305					15 MICROINCH GOLD			
87705-6310		GOLD FLASH			3.00			
87705-6311		10 MICROINCH GOLD						
87705-6312		15 MICROINCH GOLD						
87705-6313		GOLD FLASH						
87705-6314		10 MICROINCH GOLD						
87705-6315		15 MICROINCH GOLD						
87705-6320		GOLD FLASH	2.54					
87705-6321		10 MICROINCH GOLD						
87705-6322		15 MICROINCH GOLD						
87705-6323		GOLD FLASH						
87705-6324		10 MICROINCH GOLD						
87705-6325		15 MICROINCH GOLD						
87705-6330		GOLD FLASH	3.00					
87705-6331		10 MICROINCH GOLD						
87705-6332		15 MICROINCH GOLD						
87705-6333		GOLD FLASH						
87705-6334		10 MICROINCH GOLD						
87705-6335		15 MICROINCH GOLD						
87705-6340		GOLD FLASH	2.54					
87705-6341		10 MICROINCH GOLD						
87705-6342		15 MICROINCH GOLD						
87705-6343		GOLD FLASH						
87705-6344	10 MICROINCH GOLD							
87705-6345	15 MICROINCH GOLD							

SEE SHEET 1 EC NO: SH2007-0145 DRWN: BKANG CHKD: APPR: WWSCHANG	2006/11/22 2006/11/24 2006/11/24	DESCRIPTION REV	QUALITY SYMBOLS	GENERAL TOLERANCES (UNLESS SPECIFIED)	DIMENSION STYLE	SCALE	DESIGN UNITS	THIRD ANGLE PROJECTION		
			▼=0 ◻=0	mm      INCH 4 PLACES ± --- ± --- 3 PLACES ± --- ± --- 2 PLACES ± 0.25 ± --- 1 PLACE ± 0.25 ± --- ANGULAR ± 3 °	MM ONLY	1:1	METRIC	☉ ◻ THIRD ANGLE PROJECTION		
					DRAWN BY      DATE TOM            2004/07/19	TITLE	1.0MM PITCH DDR II			
					CHECKED BY      DATE ALL IN            2004/07/19		240 CKTS			
					APPROVED BY      DATE WWSCHANG        2004/07/19		(FORKLOCK VERSION)			
				MATERIAL NO.	DOCUMENT NO.	MOLEX INCORPORATED				
				SEE TABLE	SD-87705-800	SHEET NO. 7 OF 10				
				THIS DRAWING CONTAINS INFORMATION THAT IS PROPRIETARY TO MOLEX INCORPORATED AND SHOULD NOT BE USED WITHOUT WRITTEN PERMISSION						

7 6 5 4 3 2 1

E

D

C

B

A

E

D

C

B

A

MOLEX P/N	HOUSING MATERIAL	HOUSING COLOR	LATCH COLOR	TERMINAL MATERIAL	CONTACT PLATING	SOLDERTAIL LENGTH "B"	FORKLOCK WIDTH "C"	VOLTAGE	
87705-6420	NYLON46	BLUE (287U)	WHITE	PHOSPHOR BROZNE	GOLD FLASH	2.54	$\triangle_D$ 2.70±0.10	1.8	
87705-6421					10 MICROINCH GOLD				
87705-6422					15 MICROINCH GOLD				
87705-6423					GOLD FLASH	3.00			
87705-6424					10 MICROINCH GOLD				
87705-6425					15 MICROINCH GOLD				
87705-6426		BLACK	WHITE	PHOSPHOR BROZNE	GOLD FLASH	2.30			
$\triangle_B$ 87705-6407					WHITE	30 MICROINCH GOLD			2.54
$\triangle_B$ 87705-6417					BLUE (287U)				
$\triangle_B$ 87705-6427					GREEN (348C)				
$\triangle_B$ 87705-6437					PURPLE (2736U)				
$\triangle_B$ 87705-6447					BLACK	BLACK			
$\triangle_B$ 87705-6457					ORANGE (151C)	WHITE			

SEE SHEET 1 EC NO: SH2007-0145 DRWN: BKANG CHKD: APPR: WWSCHANG	2006/11/22 2006/11/24 2006/11/24	DESCRIPTION REV	QUALITY SYMBOLS	GENERAL TOLERANCES (UNLESS SPECIFIED)	DIMENSION STYLE	SCALE	DESIGN UNITS	THIRD ANGLE PROJECTION
			$\blacktriangledown = 0$	mm INCH	MM ONLY	1:1	METRIC	
			$\triangle_C = 0$	4 PLACES ± --- ± ---	DRAWN BY DATE	TITLE		
				3 PLACES ± --- ± ---	TOM 2004/07/19	1.0MM PITCH DDR II		
				2 PLACES ± 0.25 ± ---	CHECKED BY DATE	240 CKTS		
	1 PLACE ± 0.25 ± ---	ALL IN 2004/07/19	(FORKLOCK VERSION)					
	ANGULAR ± 3 °	APPROVED BY DATE	MOLEX INCORPORATED					
	DRAFT WHERE APPLICABLE MUST REMAIN WITHIN DIMENSIONS	WWSCHANG 2004/07/19	MATERIAL NO.	DOCUMENT NO.	SHEET NO.			
			SEE TABLE	SD-87705-800	8 OF 10			
			SIZE $\triangle_4$	THIS DRAWING CONTAINS INFORMATION THAT IS PROPRIETARY TO MOLEX INCORPORATED AND SHOULD NOT BE USED WITHOUT WRITTEN PERMISSION				

6 5 4 3 2 1

MOLEX P/N	HOUSING MATERIAL	HOUSING COLOR	LATCH COLOR	TERMINAL MATERIAL	CONTACT PLATING	SOLDERTAIL LENGTH "B"	FORKLOCK WIDTH "C"	VOLTAGE
87705-6050	NYLON66	BLACK	BLACK	PHOSPHOR BROZNE	GOLD FLASH	2.54	$\triangle_D$ 2.70±0.10	1.8
87705-6051					10 MICROINCH GOLD			
87705-6052					15 MICROINCH GOLD			
87705-6053					GOLD FLASH	3.00		
87705-6054					10 MICROINCH GOLD			
87705-6055					15 MICROINCH GOLD			
87705-6056					GOLD FLASH	2.30		
$\triangle$ 87705-6400	NYLON46	BLACK	WHITE		GOLD FLASH	2.54		
$\triangle$ 87705-6401					10 MICROINCH GOLD			
$\triangle$ 87705-6402					15 MICROINCH GOLD			
$\triangle$ 87705-6403					GOLD FLASH	3.00		
$\triangle$ 87705-6404					10 MICROINCH GOLD			
$\triangle$ 87705-6405					15 MICROINCH GOLD			
$\triangle$ 87705-6406					GOLD FLASH	2.30		
$\triangle$ 87705-6450			BLACK	GOLD FLASH	2.54			
$\triangle$ 87705-6451				10 MICROINCH GOLD				
$\triangle$ 87705-6452				15 MICROINCH GOLD				
$\triangle$ 87705-6453				GOLD FLASH	3.00			
$\triangle$ 87705-6454				10 MICROINCH GOLD				
$\triangle$ 87705-6455				15 MICROINCH GOLD				
$\triangle$ 87705-6456				GOLD FLASH	2.30			

SEE SHEET 1 EC NO: SH2007-0145 DRWN: BKANG CHKD: APPR: WWSCHANG	2006/11/22 2006/11/24 2006/11/24	DESCRIPTION REV	QUALITY SYMBOLS	GENERAL TOLERANCES (UNLESS SPECIFIED)		DIMENSION STYLE MM ONLY		SCALE 1:1	DESIGN UNITS METRIC	THIRD ANGLE PROJECTION		
			$\blacktriangledown=0$		mm	INCH	DRAWN BY	DATE	TITLE			
			$\triangle=0$	4 PLACES	± ---	± ---	TOM	2004/07/19	1.0MM PITCH DDR II 240 CKTS (FORKLOCK VERSION)			
				3 PLACES	± ---	± ---	CHECKED BY	DATE				
				2 PLACES	± 0.25	± ---	ALL IN	2004/07/19	MOLEX INCORPORATED			
	1 PLACE	± 0.25	± ---	APPROVED BY	DATE							
	ANGULAR ± 3 °		DRAFT WHERE APPLICABLE MUST REMAIN WITHIN DIMENSIONS		WWSCHANG	2004/07/19	MATERIAL NO. SEE TABLE	DOCUMENT NO. SD-87705-800	SHEET NO. 9 OF 10			