

PLEASE CHECK WWW.MOLEX.COM FOR LATEST PART INFORMATION

Part Number: **0855025008**
Status: **Active**
Overview: [modular_plugs_jacks](#)
Description: Modular Jack, Right Angle, Low Profile, SMT, 8/8

Documents:

[3D Model](#) [Product Specification PS-85502-001 \(PDF\)](#)
[Drawing \(PDF\)](#) [RoHS Certificate of Compliance \(PDF\)](#)
[Application Specification \(PDF\)](#)

Agency Certification

UL E107635

General

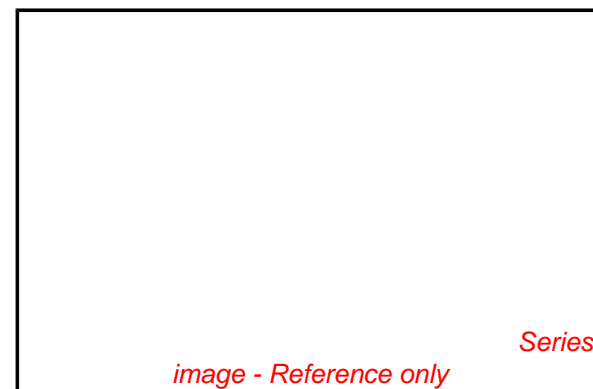
Product Family Modular Jacks/Plugs
Series [85502](#)
Component Type PCB Jack
Magnetic No
Overview [modular_plugs_jacks](#)
Performance Category 3
Power over Ethernet (PoE) N/A
Product Name RJ45

Physical

Boot Color N/A
Color - Resin Black
Durability (mating cycles max) 500
Flammability 94V-0
Inverted / Top Latch No
Lightpipes/LEDs None
Material - Metal Brass
Material - Plating Mating Gold
Material - Plating Termination Tin
Material - Resin High Temperature Thermoplastic
Orientation Right Angle (Side Entry)
PCB Locator No
PCB Retention Yes
Packaging Type Embossed Tape on Reel
Pitch - Mating Interface (in) 0.040 In
Pitch - Mating Interface (mm) 1.02 mm
Pitch - Term. Interface (in) 0.050 In
Pitch - Term. Interface (mm) 1.27 mm
Plating min: Mating (µin) 120.00, 50.8
Plating min: Mating (µm) 1.27, 3.000
Plating min: Termination (µin) 120.00, 76
Plating min: Termination (µm) 1.9, 3.00
Ports 1
Positions / Loaded Contacts 8/8
Surface Mount Compatible (SMC) Yes
Temperature Range - Operating -40°C to +80°C
Termination Interface: Style Surface Mount
Waterproof / Dustproof No
Wire/Cable Type N/A

Electrical

Current - Maximum per Contact 1.5A



EU RoHS

**ELV and RoHS
Compliant**
**REACH SVHC
Contains SVHC: No**
**Halogen-Free
Status**

China RoHS



**Need more information on product
environmental compliance?**

Email productcompliance@molex.com
For a multiple part number RoHS Certificate of Compliance, [click here](#)

Please visit the [Contact Us](#) section for any non-product compliance questions.

Search Parts in this Series

[85502Series](#)

Mates With

FCC 68 Plugs

| | |
|-------------------|---------------|
| Shielded | No |
| Voltage - Maximum | 125V AC (RMS) |

Solder Process Data

| | |
|--|---------------------------|
| Duration at Max. Process Temperature (seconds) | 45 |
| Lead-free Process Capability | Reflow Capable (SMT only) |
| Max. Cycles at Max. Process Temperature | 3 |
| Process Temperature max. C | 260 |

Material Info**Reference - Drawing Numbers**

| | |
|-------------------------|--------------|
| Packaging Specification | PK-85502 |
| Product Specification | PS-85502-001 |
| Sales Drawing | SD-85502-101 |

This document was generated on 06/07/2010

PLEASE CHECK WWW.MOLEX.COM FOR LATEST PART INFORMATION

10 9 8 7 6 5 4 3 2 1

NOTES:

1- MATERIAL:

HOUSING: LCP GLASS FILLED UL 94V0 COLOUR: BLACK
 TERMINAL: BRASS PLATED WITH:
 0.00127/.000050 MIN GOLD IN CONTACT AREA,
 0.00190/.000075 MIN PURE TIN IN TAIL AREA,
 BOTH OVER 0.00127/.000050 MIN NICKEL OVERALL.
 SOLDER TABS: BRASS PLATED WITH 0.0020/.000078 MIN TIN.

2- JACK FOR MATING WITH F.C.C.68 PLUGS.
 (MOLEX 90075 SERIES).

3- PRODUCT SPECIFICATION: MOLEX PS-85502-001

4- POLYIMIDE ADHESIVE TAPE FOR PICK & PLACE SURFACE.
 THICKNESS: 125 μm/4921 μ"

5- PACKAGING SPECIFICATION: MOLEX PK-85502.
 (BLISTER PACKAGING).

6- COPLANARITY OF SIGNAL LEADS: 0.10/.004

7- SEE DIMENSIONS IN CHART ON SHEET 2.

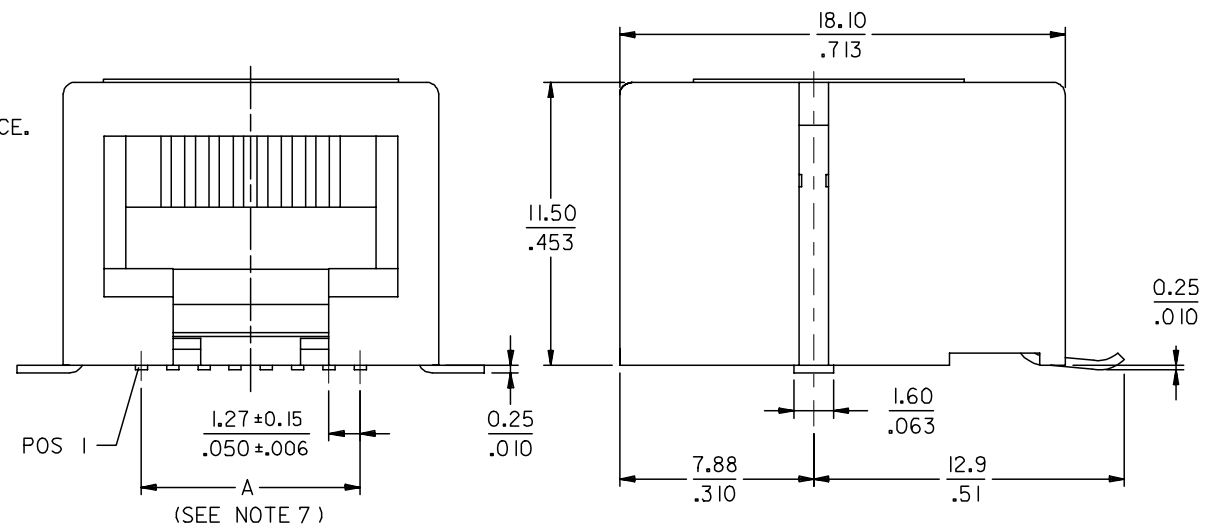
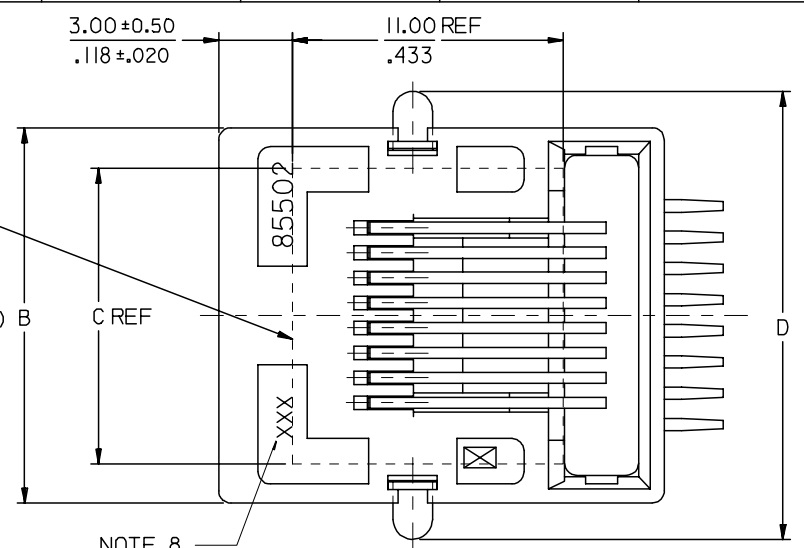
8- MANUFACTURING I.D. CAN BE EITHER MG, MXF OR MXI.

9- APPLICATION SPECIFICATION: AS-85513-001

SEE NOTE 4

(SEE NOTE 7) B

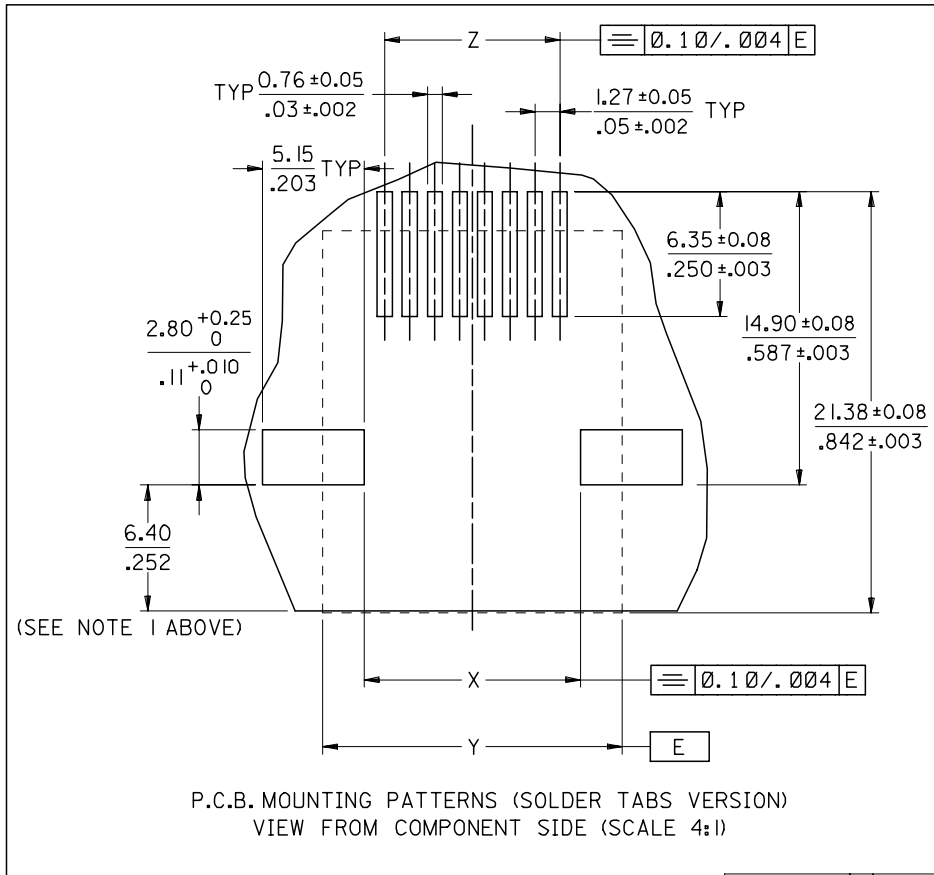
NOTE 8.



| | | | | | | | | |
|---|-----------------|--|---------------------|--|--|--------------|------------------------|--|
| MODIFIED MATERIAL EC NO: E2007-0717 DRWN:DBYRNES 2007/02/15 CHKD: 2007/02/15 APPR:EOMAHONY 2007/02/15 | QUALITY SYMBOLS | GENERAL TOLERANCES (UNLESS SPECIFIED) | | DIMENSION STYLE | SCALE | DESIGN UNITS | THIRD ANGLE PROJECTION | |
| | ▽=0 ▽=0 | mm | INCH | MM/IN | 5:1 | METRIC | | |
| | | 4 PLACES ± --- | ± --- | DRAWN BY DATE | TITLE R/A LOW PROFILE TRUE SMT 4,6 & 8 CONTACTS PC JACK WITH SIDE SOLDER TABS MOLEX MOLEX INCORPORATED | | | |
| | | 3 PLACES ± --- | ± .010 | CHECKED BY DATE | | | | |
| | 2 PLACES ± 0.25 | ± .014 | EOMAHONY 2006/06/15 | MATERIAL NO. DOCUMENT NO. SHEET NO. SEE CHART SHT 2 SD-85502-101 1 OF 2 | | | | |
| | 1 PLACE ± 0.35 | ± --- | APPROVED BY DATE | | | | | |
| | | ANGULAR ± 2 ° | | EOMAHONY 2006/06/15 | THIS DRAWING CONTAINS INFORMATION THAT IS PROPRIETARY TO MOLEX INCORPORATED AND SHOULD NOT BE USED WITHOUT WRITTEN PERMISSION | | | |
| | | DRAFT WHERE APPLICABLE MUST REMAIN WITHIN DIMENSIONS | | SIZE | | | | |
| | | | | A3 | | | | |

9 8 7 6 5 4 3 2 1

NOTE 1: RECOMMENDED DISTANCE FROM THE PCB'S EDGE



| PART NUMBERS FOR TRUE SMT JACK WITH SOLDER TABS | | | | | | | | |
|---|--------|------------|------------|------------|------------|--------|--------|--------|
| HOUSING COLOR | POS 4 | TOOLED | POS 6 | TOOLED | POS 6 | TOOLED | POS 8 | TOOLED |
| | 4 CKTS | | 4 CKTS | | 6 CKTS | | 8 CKTS | |
| STANDARD VERSION | BLACK | 85502-5005 | 85502-5006 | 85502-5007 | 85502-5008 | | | |

| TYPE / DIM | POS 4 | POS 6 | | POS 8 |
|--------------|--------------|--------------|--------------|--------------|
| | 4 CKTS | 4 CKTS | 6 CKTS | 8 CKTS |
| A ±0.15/.006 | 3.81 / .150 | 3.81 / .150 | 6.35 / .250 | 8.89 / .350 |
| B | 11.18 / .440 | 13.21 / .520 | 13.21 / .520 | 15.24 / .600 |
| C (REF) | 8.50 / .335 | 8.50 / .335 | 8.50 / .335 | 12.00 / .472 |
| D ±0.35/.014 | 14.13 / .556 | 16.16 / .636 | 16.16 / .636 | 18.19 / .716 |
| X ±0.10/.004 | 6.94 / .273 | 8.97 / .353 | 8.97 / .353 | 11.00 / .433 |
| Y (REF) | 11.18 / .440 | 13.21 / .520 | 13.21 / .520 | 15.24 / .600 |
| Z ±0.05/.002 | 3.81 / .150 | 3.81 / .150 | 6.35 / .250 | 8.89 / .350 |

P.C.B. MOUNTING PATTERNS (SOLDER TABS VERSION)
VIEW FROM COMPONENT SIDE (SCALE 4:1)

SEE SHEET 1
EC NO: E2007-0717
DRWN:DBYRNES 2007/02/15
CHKD: 2007/02/15
APPR:EOMAHONY 2007/02/15

QUALITY SYMBOLS
▽=0
∇=0

GENERAL TOLERANCES (UNLESS SPECIFIED)

| | mm | INCH |
|----------|--------|--------|
| 4 PLACES | ± --- | ± --- |
| 3 PLACES | ± --- | ± .010 |
| 2 PLACES | ± 0.25 | ± .014 |
| 1 PLACE | ± 0.35 | ± --- |

ANGULAR ± 2 °

DRAFT WHERE APPLICABLE MUST REMAIN WITHIN DIMENSIONS

DIMENSION STYLE MM/IN

SCALE 5:1

DESIGN UNITS METRIC

THIRD ANGLE PROJECTION

DRAWN BY DB DATE 2006/06/12

CHECKED BY EOMAHONY DATE 2006/06/15

APPROVED BY EOMAHONY DATE 2006/06/15

MATERIAL NO. SEE CHART

DOCUMENT NO. SD-85502-101

SHEET NO. 2 OF 2

R/A LOW PROFILE TRUE SMT 4 & 8 CONTACTS PC JACK WITH SIDE SOLDER TABS

MOLEX INCORPORATED

THIS DRAWING CONTAINS INFORMATION THAT IS PROPRIETARY TO MOLEX INCORPORATED AND SHOULD NOT BE USED WITHOUT WRITTEN PERMISSION