

PLEASE CHECK WWW.MOLEX.COM FOR LATEST PART INFORMATION

Part Number: **0673298000**
Status: **Active**
Description: Universal Serial Bus (USB) Shielded I/O Receptacle, Type A, Single Upright Right Angle, Solder Tail Length 2.00mm (.079"), Kinked Pins, PCB Thickness 1.20mm (.045") and 1.60mm (.062"), Gold (Au) Flash, Lead Free

Documents:

[3D Model](#) [Product Specification PS-89485 \(PDF\)](#)
[Drawing \(PDF\)](#) [RoHS Certificate of Compliance \(PDF\)](#)

Agency Certification

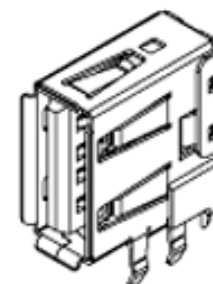
UL E29179

General

Product Family I/O Connectors
 Series [67329](#)
 Application Wire-to-Board
 Comments Standard Mount Type
 Component Type Receptacle
 Product Name USB
 Type A

Physical

Boot Color N/A
 Circuits (Loaded) 4
 Circuits (maximum) 4
 Flammability 94V-0
 Gender Receptacle
 Lock to Mating Part Yes
 Material - Plating Mating Gold
 Material - Plating Termination Tin
 Number of Rows 4
 Orientation Upright
 PC Tail Length (in) 0.079 In
 PC Tail Length (mm) 2.00 mm
 PCB Locator Yes
 PCB Retention Yes
 PCB Thickness Recommended (in) 0.063 In
 PCB Thickness Recommended (mm) 1.60 mm
 Packaging Type Tray
 Panel Mount No
 Pitch - Mating Interface (in) 0.000 In
 Pitch - Mating Interface (mm) 0.00 mm
 Pitch - Term. Interface (in) 0.055 In
 Pitch - Term. Interface (mm) 1.40 mm
 Plating min: Mating (µin) 4
 Plating min: Mating (µm) 0.1
 Plating min: Termination (µin) 100
 Plating min: Termination (µm) 2.5
 Polarized to Mating Part Yes
 Polarized to PCB Yes
 Ports 1
 Surface Mount Compatible (SMC) Yes
 Termination Interface: Style Through Hole
 Waterproof / Dustproof No



Series

image - Reference only

EU RoHS

**ELV and RoHS
 Compliant**
REACH SVHC
 Not Reviewed
**Halogen-Free
 Status**
Not Reviewed

China RoHS



**Need more information on product
 environmental compliance?**

Email productcompliance@molex.com
 For a multiple part number RoHS Certificate of Compliance, [click here](#)

Please visit the [Contact Us](#) section for any non-product compliance questions.

Search Parts in this Series
[67329Series](#)

Mates With
 USB Type A Plug

Electrical

Current - Maximum per Contact

1A

Shield Type

Full Shield

Shielded

Yes

Material Info**Reference - Drawing Numbers**

Product Specification

PS-89485

Sales Drawing

SD-67329-801

This document was generated on 03/31/2010

PLEASE CHECK WWW.MOLEX.COM FOR LATEST PART INFORMATION

10 9 8 7 6 5 4 3 2 1

NOTES :

1. MATERIAL :

HOUSING : HIGH TEMPERTURE NYLON ,GLASS FIBER, UL94-V0 , COLOR: BLACK
 TERMINAL : PHOSPHOR BRONZE
 METAL SHELL : COPPER ALLOY

2. PLATING :

TERMINAL :
 CONTACT AREA : (a) GOLD FLASH.
 (b) GLOD (Au), THICKNESS = 30 MICROINCH/0.76 MICROMETER
 SOLDER TAIL : PURE TIN(Sn),
 THICKNESS= 75 MICROINCH /1.9 MICROMETER

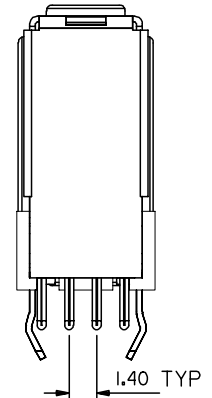
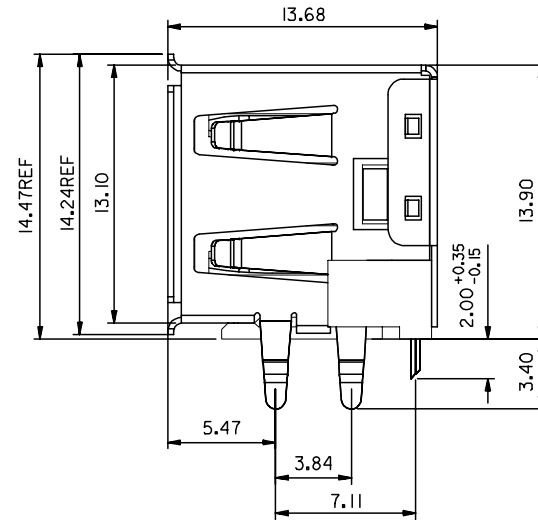
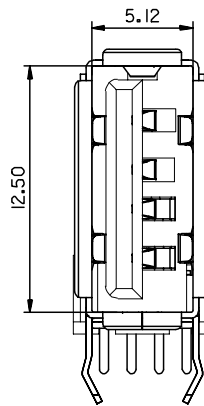
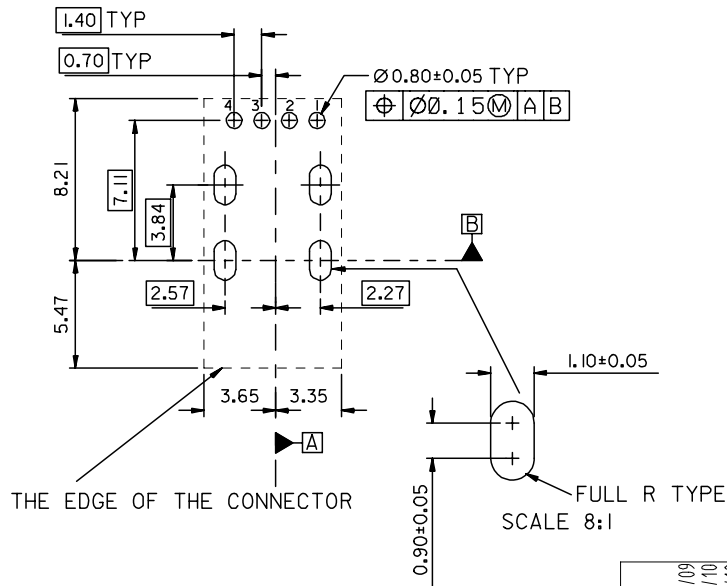
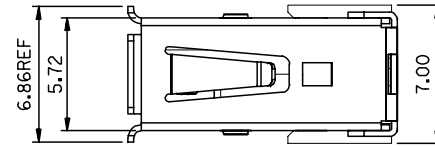
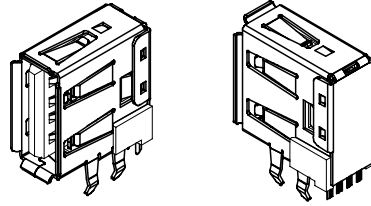
UNDER PLATE : NICKEL (Ni), THICKNESS= 50 MICROINCH/1.27 MICROMETER
 METAL SHELL :
 PURE TIN(Sn), THICKNESS=50-100MICROINCH/1.27-2.54MICROMETER.

UNDER PLATE : NICKEL (Ni), THICKNESS= 50 MICROINCH/1.27 MICROMETER

3 RECOMMENDED PCB THICKNESS : 1.20±0.05mm & 1.60±0.05 mm

4 PRODUCT SPECIFICATION : REFER TO PS-89485

5 PACKAGING SPECIFICATION : REFER TO PK-67329-001



PART NUMBER LEGEND:

P/N	CONTACT PLATING
67329-8000	GOLD FLASH
67329-8001	0.76 MICROMETER/30 MICROINCH GOLD

NEW RELEASE	EC NO:	2005/12/09	DRWN:HP/IAN	2006/01/10	CHKD:HARVEY	2006/01/10	APPR:HWANG	2006/01/10
A	REV		DESCRIPTION					

QUALITY SYMBOLS	▽=0
	∇=0

GENERAL TOLERANCES (UNLESS SPECIFIED)	mm	INCH
4 PLACES	± ---	± ---
3 PLACES	± ---	± ---
2 PLACES	± 0.25	± ---
1 PLACE	± 0.25	± ---
ANGULAR ± 3 °		
DRAFT WHERE APPLICABLE MUST REMAIN WITHIN DIMENSIONS		

DIMENSION STYLE		SCALE	DESIGN UNITS	THIRD ANGLE PROJECTION
MM ONLY		4:1	METRIC	
DRAWN BY	DATE	TITLE		
QIANHUIPING	2005/12/09	USB A UPRIGHT CONN. FLANGE OUT TYPE LEAD-FREE		
CHECKED BY	DATE	MOLEX INCORPORATED		
HARVEY	2005/12/09			
APPROVED BY	DATE			
GARY	2005/12/09			
MATERIAL NO.	DOCUMENT NO.	SHEET NO.		
67329-800*	SD-67329-801	1 OF 1		

DRAWN BY		DATE	TITLE		
QIANHUIPING		2005/12/09	USB A UPRIGHT CONN. FLANGE OUT TYPE LEAD-FREE		
CHECKED BY		DATE	MOLEX INCORPORATED		
HARVEY		2005/12/09			
APPROVED BY		DATE			
GARY		2005/12/09			
MATERIAL NO.	DOCUMENT NO.	SHEET NO.			
67329-800*	SD-67329-801	1 OF 1			

9 8 7 6 5 4 3 2 1