

**PLEASE CHECK WWW.MOLEX.COM FOR LATEST PART INFORMATION**

**Part Number:** [0503227112](#)  
**Status:** **Active**  
**Description:** Spade Tongue Terminal for 16-22 AWG, Closed Uninsulated Brazed Barrel, Stud Size 5 (M3), Oxygen-Free Copper, Length 15.00mm (.591")

**Documents:**

[Drawing \(PDF\)](#) [RoHS Certificate of Compliance \(PDF\)](#)  
[Product Specification PS-50322-001 \(PDF\)](#)

**General**

Product Family	Ring and Spade Terminals
Series	<a href="#">50322</a>
Crimp Quality Equipment	Yes
Mil-Spec	N/A
Product Name	Y (Spade)
Type	Spade

**Physical**

Barrel Type	Closed - Brazed
Insulation	None
Material - Plating Mating	Tin
Packaging Type	Bag
Plating min: Mating (µin)	40
Plating min: Mating (µm)	1
Plating min: Termination (µin)	40
Plating min: Termination (µm)	1
Stud Size	5 (M3)
Termination Interface: Style	Crimp or Compression
Wire Size AWG	16, 18, 20, 22
Wire Size mm <sup>2</sup>	0.25 - 1.65

**Material Info**

**Reference - Drawing Numbers**

Product Specification	PS-50322-001
Sales Drawing	SD-50322-001

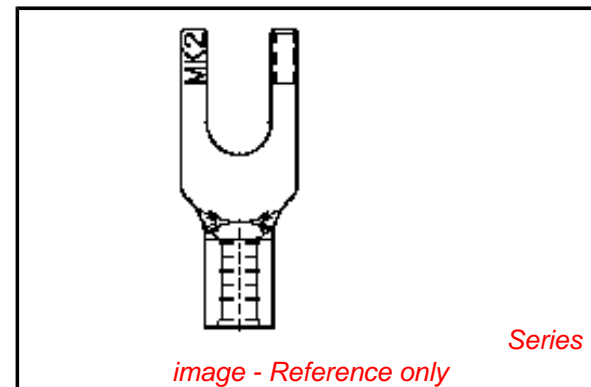


image - Reference only

**EU RoHS**

**ELV and RoHS Compliant**  
**REACH SVHC**  
 Not Reviewed  
**Halogen-Free Status**  
 Not Reviewed

**China RoHS**



**Need more information on product environmental compliance?**

Email [productcompliance@molex.com](mailto:productcompliance@molex.com)  
 For a multiple part number RoHS Certificate of Compliance, [click here](#)

Please visit the [Contact Us](#) section for any non-product compliance questions.

**Search Parts in this Series**

[50322Series](#)

**Application Tooling | [FAQ](#)**

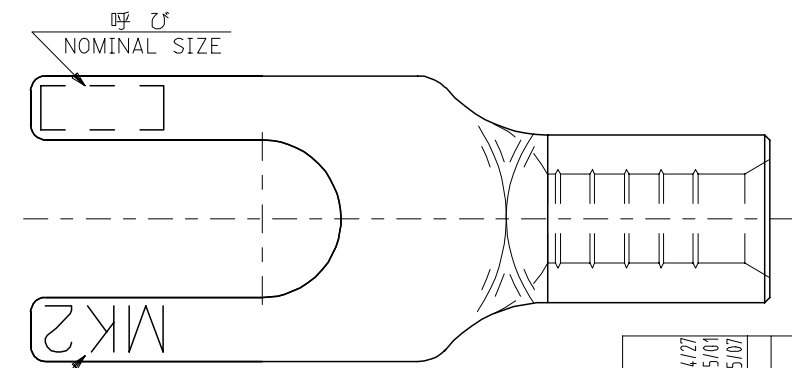
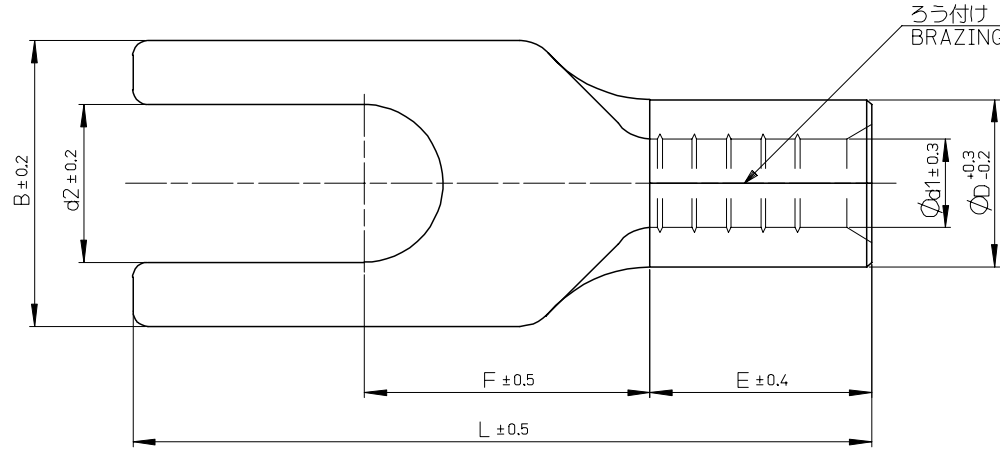
*Tooling specifications and manuals are found by selecting the products below. Crimp Height Specifications are then contained in the Application Tooling Specification document.*

**Japan**

Description	Product #
Hand Crimper For JIS Terminal	<a href="#">0572575000</a>
Hand Crimper For JIS Terminal	<a href="#">0573435002</a>
Air Type Hand Crimper For JIS Terminal	<a href="#">0573439005</a>

10 9 8 7 6 5 4 3 2 1

F  
E  
D  
C  
B  
A



注記 NOTES

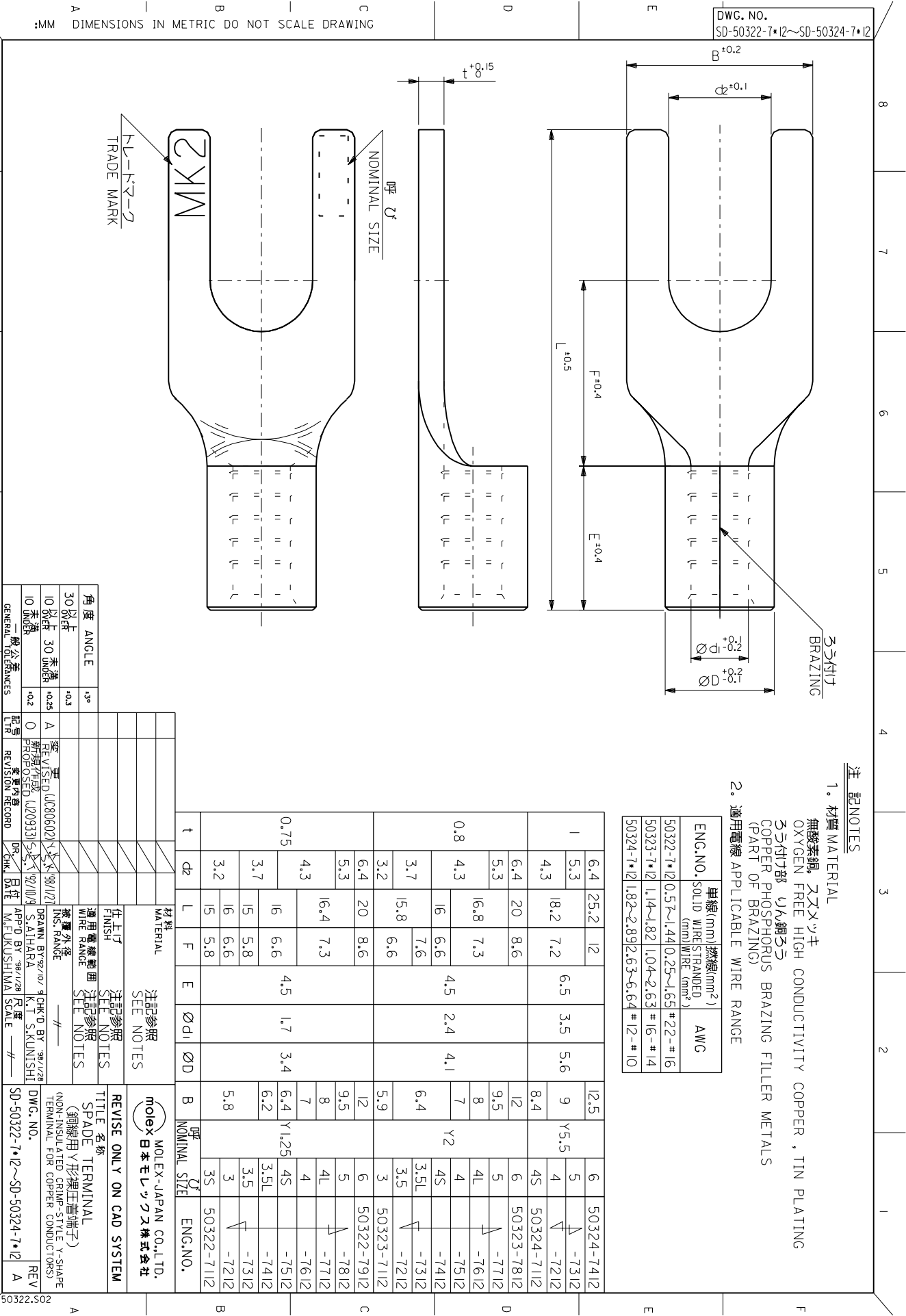
- 材質 MATERIAL  
端子：無酸素銅、錫めっき  
TERMINAL: OXYGEN-FREE COPPER, TIN PLATING  
ろう付け部 リン銅ろう  
COPPER PHOSPHORUS BRAZING FILLER METALS (PART OF BRAZING)
- 適用電線 APPLICABLE WIRE RANGE

ENG. NO.	単線(mm) SOLID WIRE (mm)	撚線(mm <sup>2</sup> ) STRANDED WIRE (mm <sup>2</sup> )	AWG
50322-7*12	0.57~1.44	0.25~1.65	#22-#16

0.8	4.3	16.4	7.3	4.5	1.7	3.4	7	Y1.25	4	50322-7622
	6.4	20	8.6				11		6	50322-7912
	5.3	16.4	7.3				9.5		5	50322-7812
	4.3						8		4L	50322-7712
	3.7	16	6.6				7		4	50322-7612
		15	5.8				6.4		4S	50322-7512
	3.2	16	6.6				6.2		3.5L	50322-7412
		15	5.8				5.8		3.5	50322-7312
	3.7	15	5.8				5.7		3	50322-7212
									3SS	50322-7112
t	φd2	L	F	E	φd1	φD	B	呼び NOMINAL SIZE	ENG. NO.	

REVISED EC NO: J2007-2944 DRW: H. YAJIMA 2007/04/27 CHK: K. KASAHARA 2007/05/01 APP: N. UKITA 2007/05/07	GENERAL TOLERANCES (UNLESS SPECIFIED)		DIMENSION STYLE MM ONLY		SCALE ---	DESIGN UNITS METRIC	THIRD ANGLE PROJECTION	
	10 UNDER	± ---	DRAWN BY H. YAJIMA	DATE '06/08/24	TITLE SPADE TERMINAL			
	10 OVER 30 UNDER	± ---	CHECKED BY K. KASAHARA	DATE '06/08/24	MATERIAL NO. SEE CHART			
	30 OVER	± ---	APPROVED BY N. UKITA	DATE '06/08/24	DOCUMENT NO. SD-50322-001			
	ANGULAR	± --- °	DRAFT WHERE APPLICABLE MUST REMAIN WITHIN DIMENSIONS		SIZE A3		SHEET NO. 1 OF 1	

MM DIMENSIONS IN METRIC DO NOT SCALE DRAWING



注記NOTES

- 材質 MATERIAL  
無酸素銅、スズメッキ  
OXYGEN FREE HIGH CONDUCTIVITY COPPER, TIN PLATING
- 適用電線 APPLICABLE WIRE RANGE  
ろう付け部 リン銅ろう  
COPPER PHOSPHORUS BRAZING FILLER METALS  
(PART OF BRAZING)

ENG. NO.	単線 (mm) (SOLID WIRE)	撚線 (mm <sup>2</sup> ) (STRAINED WIRE)	AWG
50322-7*12	0.57~1.44	0.25~1.65	#22~#16
50323-7*12	1.14~1.82	1.04~2.63	#16~#14
50324-7*12	1.82~2.89	2.63~6.64	#12~#10

I	6.4		25.2		12		12.5		6		50324-7412	
	5.3	4.3	18.2	7.2	6.5	3.5	5.6	9	Y5.5	5	Δ	-7312
0.8	4.3	16.8	7.3	4.5	2.4	4.1	7	8.4	Y2	4	Δ <th>-7512</th>	-7512
	3.7	15.8	7.6	4.5	2.4	4.1	8	9.5	Y2	5	Δ <th>-7712</th>	-7712
0.75	3.2	15.8	6.6	4.5	2.4	4.1	8	8.4	Y2	4	Δ <th>-7512</th>	-7512
	6.4	20	8.6	4.5	2.4	4.1	9.5	6	Y2	5	Δ <th>-7812</th>	-7812
3.2	6.4	20	8.6	4.5	2.4	4.1	5.9	3	Y2	3	Δ <th>-7212</th>	-7212
	5.3	16.4	7.3	4.5	2.4	4.1	12	6	Y2	6	Δ <th>50322-7912</th>	50322-7912
4.3	3.7	15	5.8	4.5	2.4	4.1	9.5	5	Y2	5	Δ <th>-7812</th>	-7812
	6.4	20	8.6	4.5	2.4	4.1	8	4	Y2	4	Δ <th>-7512</th>	-7512
3.2	3.7	15	5.8	4.5	2.4	4.1	7	4	Y2	4	Δ <th>-7612</th>	-7612
	6.4	20	8.6	4.5	2.4	4.1	7	4	Y2	4	Δ <th>-7612</th>	-7612
3.2	3.7	15	5.8	4.5	2.4	4.1	6.2	3.5	Y2	3.5	Δ <th>-7412</th>	-7412
	6.4	20	8.6	4.5	2.4	4.1	3.5	3	Y2	3	Δ <th>-7212</th>	-7212
3.2	3.7	15	5.8	4.5	2.4	4.1	5.8	3S	Y2	3S	Δ <th>50322-7112</th>	50322-7112
	6.4	20	8.6	4.5	2.4	4.1	5.8	3S	Y2	3S	Δ <th>50322-7112</th>	50322-7112

角度 ANGLE	30°	10°	10°	10°
公差 TOLERANCE	±0.3	±0.25	±0.2	±0.2
一般公差 GENERAL TOLERANCES	A			

材料 MATERIAL	注記参照 SEE NOTES	仕上げ FINISH	適用電線範囲 WIRE RANGE	注記参照 SEE NOTES
銅線	無酸素銅、スズメッキ	銅線	AWG #12~#10	銅線
銅線	無酸素銅、スズメッキ	銅線	AWG #12~#10	銅線

REVISE ONLY ON CAD SYSTEM	材料 MATERIAL	注記参照 SEE NOTES	仕上げ FINISH	適用電線範囲 WIRE RANGE	注記参照 SEE NOTES
SPADE TERMINAL (銅線用 Y 形 架仕端子) (NON-INSULATED CRIMP-STYLE Y-SHAPE TERMINAL FOR COPPER CONDUCTORS)	銅線	無酸素銅、スズメッキ	銅線	AWG #12~#10	銅線

THIS DRAWING CONTAINS INFORMATION THAT IS PROPRIETARY TO MOLEX(JAPAN) AND SHOULD NOT BE USED WITHOUT WRITTEN PERMISSION  
 本図面は日本モリス(株)の所有する情報を含むもので、当社の許可なく複製を禁止する。