

Your right power solution for LCD TV, NB PC & various IT/AV applications

## 0415B series- Model: 0415B24180

# 180W 24V/7.5A



### Features

- ⊙ Best solution for TV 27" ~ 32" & NB
- ⊙ Universal AC input
- ⊙ Efficiency: 83% @full load typical
- ⊙ PFC >0.9 @240VAC
- ⊙ High MTBF & Life

### Safety



### Environmental

Operating Temperature: 5°C to + 35°C  
Storage Temperature: -20°C to + 85°C

### Electrical specification

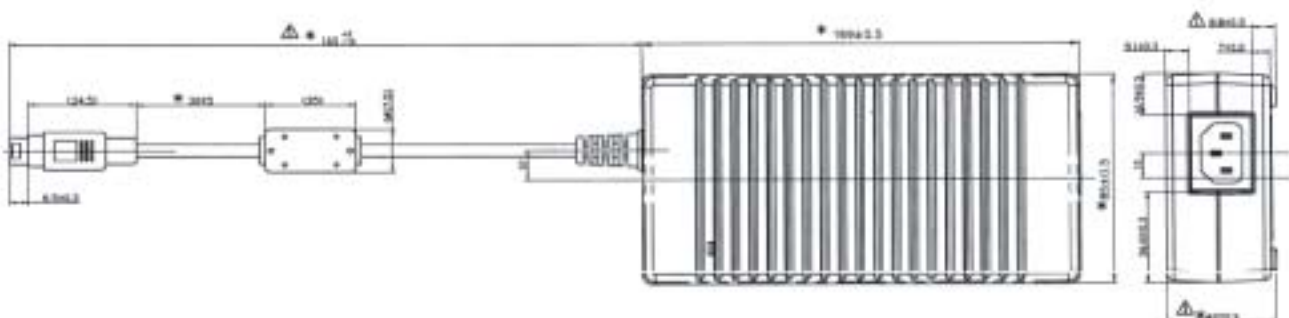
#### INPUT

AC input range	90 ~264VAC
Frequency	47 to 63Hz
Inrush current	150A @230VAC, cold start , 25°C
Input current	2.9A rms @90VAC full load
Efficiency	83% @full load typical
EMI/FRI	FCC part 15, subpart B Class B EN55022(CISPR22) Class B
Power saving	<1W/240VAC @ no load
Leakage current	0.35 mA max. @ 240Vac/ 50Hz

#### OUTPUT

Output rating (V/A)	24V/7.5A
Voltage regulation	22.8 ~ 25.2V
Max. Power (Po)	180W
Hold-up time	10ms. typical at full load ,115VAC
Over voltage protection	32V max. @latch mode
Overload protection	10.0A Max. @shut down & auto recovery mode .
Short CKT protection	shut down & auto recovery mode
Over temperature Protection	Optional @shut down mode

### Outline Drawing (mm)



Output DC cable plug: Optional

\*Specifications subject to change without notice.