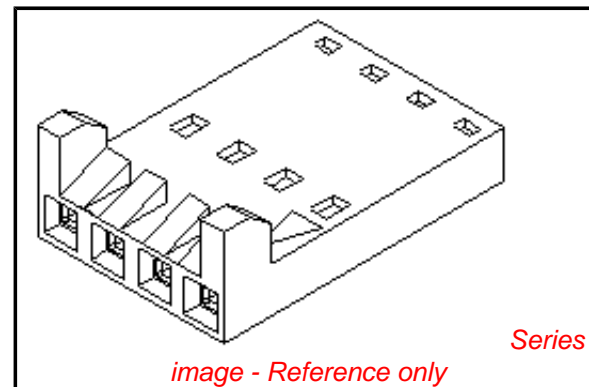


**PLEASE CHECK WWW.MOLEX.COM FOR LATEST PART INFORMATION**

**Part Number:** [0050579520](#)  
**Status:** **Active**  
**Overview:** [cgrid\\_sl\\_products](#)  
**Description:** 2.54mm (.100") Pitch SL™ Crimp Housing, Single Row, Version H, Polarized Friction Lock, 20 Circuits

**Documents:**

<a href="#">3D Model</a>	<a href="#">Product Specification PS-70058 (PDF)</a>
<a href="#">Drawing (PDF)</a>	<a href="#">Product Specification PS-70400 (PDF)</a>
<a href="#">Packaging Specification (PDF)</a>	<a href="#">RoHS Certificate of Compliance (PDF)</a>



**Agency Certification**

CSA	LR19980
TUV	R72081037
UL	E29179

**General**

Product Family	Crimp Housings
Series	<a href="#">70066</a>
Comments	Version H
Overview	<a href="#">cgrid_sl_products</a>
Product Name	SL™

**Physical**

Circuits (maximum)	20
Color - Resin	Black
Flammability	94V-0
Gender	Female
Glow-Wire Compliant	No
Material - Resin	Polyester Alloy
Number of Rows	1
Packaging Type	Bag
Panel Mount	No
Pitch - Mating Interface (in)	0.100 In
Pitch - Mating Interface (mm)	2.54 mm
Stackable	Yes
Temperature Range - Operating	-40°C to +105°C

**Material Info**

Old Part Number	70066-0229
-----------------	------------

**Reference - Drawing Numbers**

Packaging Specification	PK-70066-100
Product Specification	PS-70058, PS-70400
Sales Drawing	SD-70066-0211-0234
Test Summary	TS-70058-001

<b>EU RoHS</b> <b>ELV and RoHS</b> <b>Compliant</b> <b>REACH SVHC</b> <b>Contains SVHC: No</b> <b>Halogen-Free</b> <b>Status</b> <b>Not Reviewed</b>	<b>China RoHS</b> 
---	--

**Need more information on product environmental compliance?**

Email [productcompliance@molex.com](mailto:productcompliance@molex.com)  
 For a multiple part number RoHS Certificate of Compliance, [click here](#)

Please visit the [Contact Us](#) section for any non-product compliance questions.

**Search Parts in this Series**  
[70066Series](#)

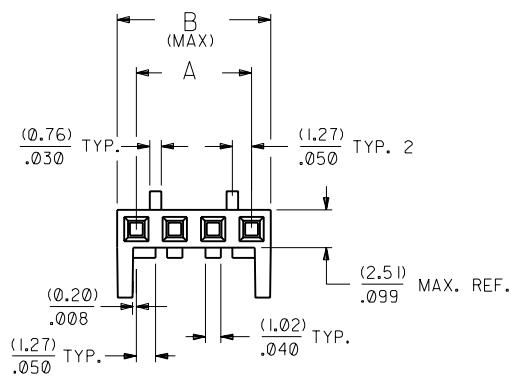
**Mates With**  
[6373 Straight Header](#), [7478](#)

**Use With**  
[70058](#) , [71851](#)

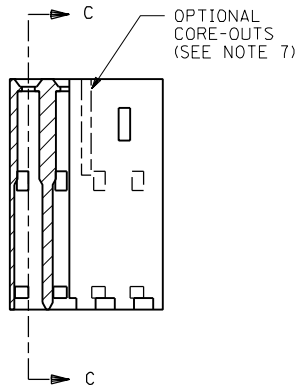
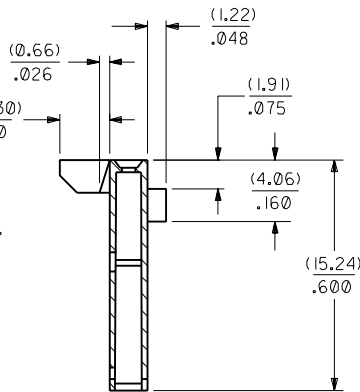
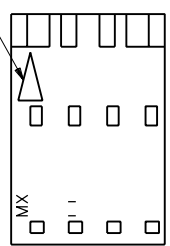
**NOTES:**

- 1) MATERIAL: G.F. POLYESTER
- 2) HOUSING TO BE USE WITH TERMINAL PT. NO. 70058-\*\*\*\*
- 3) SEE CHART FOR CIRCUIT SIZES.
- 4) TO BE USED WITH (0.64)/.025 SQ. OR RD. PINS.
- 5) PARTS STACKABLE END TO END ON (2.54)/.100 CENTERS.
- 6) REFER TO PRODUCT SPECIFICATION NO. : P.S.-70058
- 7) PARTS MAY OR MAY NOT BE SUPPLIED WITH EXTERIOR CORE-OUT CONFIGURATION. SEE DWG. SD-70066-\*\*\*\* FOR OPTIONAL HOUSING DETAILS.
- 8) PACKAGE PER PK-70066-100.

**OPTION "H"**



CIRCUIT NO. 1 IDENTIFICATION



**SECTION C-C**

CKT. SIZE	EDP. NO.	ENG. NO.	A	B
2	50-57-9502	70066-0211	(2.54)/.100	(5.05)/.199
3	50-57-9503	70066-0212	(5.08)/.200	(7.59)/.299
4	50-57-9504	70066-0213	(7.62)/.300	(10.13)/.399
5	50-57-9505	70066-0214	(10.16)/.400	(12.67)/.499
6	50-57-9506	70066-0215	(12.70)/.500	(15.21)/.599
7	50-57-9507	70066-0216	(15.24)/.600	(17.75)/.699
8	50-57-9508	70066-0217	(17.78)/.700	(20.29)/.799
9	50-57-9509	70066-0218	(20.32)/.800	(22.83)/.899
10	50-57-9510	70066-0219	(22.86)/.900	(25.37)/.999
11	50-57-9511	70066-0220	(25.40)/1.000	(27.91)/1.099
12	50-57-9512	70066-0221	(27.94)/1.100	(30.45)/1.199
13	50-57-9513	70066-0222	(30.48)/1.200	(32.99)/1.299
14	50-57-9514	70066-0223	(33.02)/1.300	(35.53)/1.399
15	50-57-9515	70066-0224	(35.56)/1.400	(38.07)/1.499
16	50-57-9516	70066-0225	(38.10)/1.500	(40.61)/1.599
17	50-57-9517	70066-0226	(40.64)/1.600	(43.15)/1.699
18	50-57-9518	70066-0227	(43.18)/1.700	(45.69)/1.799
19	50-57-9519	70066-0228	(45.72)/1.800	(48.23)/1.899
20	50-57-9520	70066-0229	(48.26)/1.900	(50.77)/1.999
21	50-57-9521	70066-0230	(50.80)/2.000	(53.31)/2.099
22	50-57-9522	70066-0231	(53.34)/2.100	(55.85)/2.199
23	50-57-9523	70066-0232	(55.88)/2.200	(58.39)/2.299
24	50-57-9524	70066-0233	(58.42)/2.300	(60.93)/2.399
25	50-57-9525	70066-0234	(60.96)/2.400	(63.47)/2.499

70066

MFG. SH. REV.

DIMENSIONS SHOWN (METRIC) INCH UNLESS OTHERWISE SPECIFIED TOLERANCES: ANGULAR ± 1/2°		REVISIONS C REVISED PER ECR# U10967 8-8-91 MJM/MGB B REVISED PER ECR# U80051 3-27-89 MGB A RELEASE DRAWING FOR MANUFACTURE PER ERO NO. 24037 2/26/87 BJS		DRAFT WHERE APPLICABLE MUST REMAIN WITHIN DIMENSIONS	
5 PLACE ± .010 --- 2 PLACE ± .014 ± 0.25 1 PLACE --- ± 0.35		DRWG. NO. SD-70066-0211-0234 FILE NAME 700660211 THIS DRAWING CONTAINS INFORMATION THAT IS PROPRIETARY TO MOLEX INC. AND SHOULD NOT BE USED WITHOUT WRITTEN PERMISSION.		SHEET NO. 1 DATE 02/26/87 DIV. DA	
DRWG. BY BJS APP'D. BY		CHK'D. BY SCALE 4:1		MFG. SH. REV.	