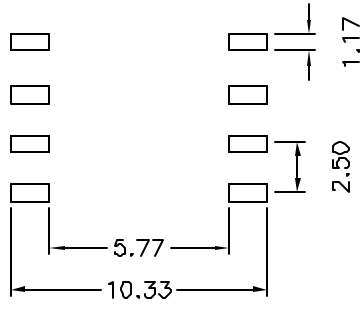
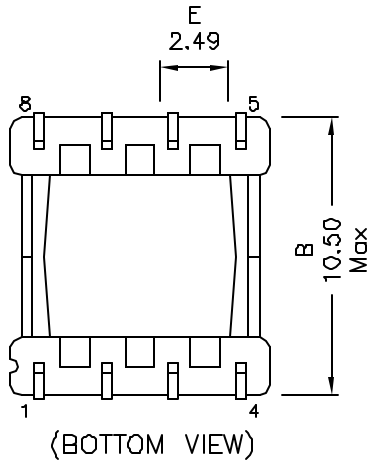
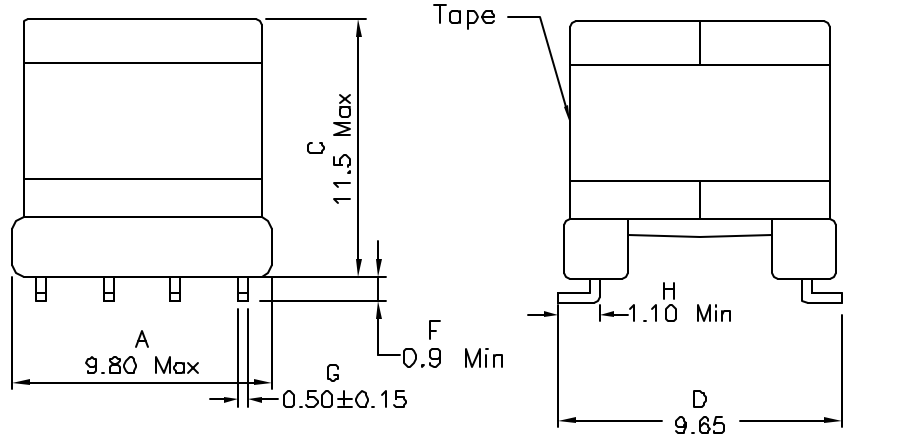
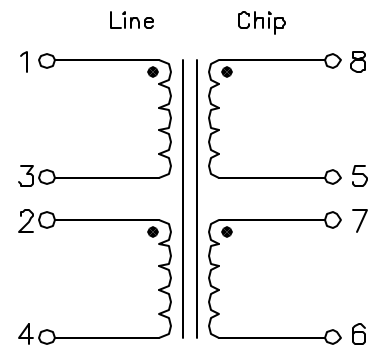


1. Mechanical Dimensions:



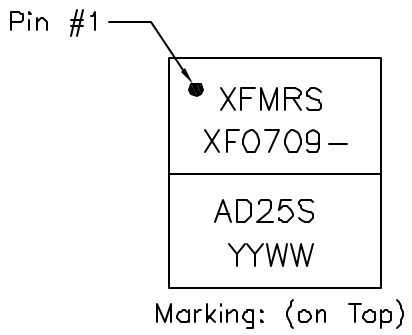
- Notes:
- Solderability: Leads shall meet MIL-STD-202G, Method 208H for solderability.
 - Flammability: UL94V-0
 - ASTM oxygen index: > 28%
 - Insulation System: Class F 155°C. UL file E151556
 - Operating Temperature Range: All listed parameters are to be within tolerance from -40°C to +85°C
 - Storage Temperature Range: -55°C to +125°C
 - Aqueous wash compatible
 - SMD Lead Coplanarity: ±0.004" (0.102mm)
 - Electrical and mechanical specifications 100% tested
 - RoHS Compliant Component
 - Designed to comply with UL-1950, EN60950 with basic insulation and 250V working voltage
- DOC. REV: A/4

2. Schematic:



3. Electrical Specifications: @25°C

- OCL: Pins 1-4 3.18mH±7% @10KHz 0.1V, Tie Pins 2-3
- LL: Pins 1-4 16.0uH Max @100KHz 0.1V, Tie Pins 2-3, 5-7, 6-8
- THD: -76dB Max @5KHz, 4Vrms, Pins 1-4
with Rs=135 Ohms, Rload=275.5 Ohms, Chip Side
- DCR: Pins 1-4 7.8 Ohms Max, Tie Pins 2-3, 5-7
- DCR: Pins 8-6 24.0 Ohms Max, Tie Pins 2-3, 5-7
- Turns Ratio: Pins (1-4):(8-6)=0.70:1, Tie Pins 2-3, 5-7
- Hipot: 1500Vrms; Pins 1 to 8 (Tie 2+3, 5+7)
- Hipot: 600Vrms, Pin 1 to 2
- Cw/w: Pins 1-4 & 8-6 200 pF @100KHz 0.1V, Tie Pins 2-3, 5-7
- Unbalanced DC Current: 60mA Max
- Insertion Loss: 0.7dB Max @100KHz
- Longitudinal Balance: 52dB Min @20-500KHz



| | | | |
|--------------|--|-------------------|-----------|
| XFMRS Inc | Title: ADSL TRANSFORMER | | |
| | UNLESS OTHERWISE SPECIFIED TOLERANCES: | P/N: XF0709-AD25S | REV. A |
| | .xx ±0.25 | DWN. 罗振江 | Oct-18-06 |
| | Dimensions in MM | CHK. 廖玉坤 | Oct-18-06 |
| SHEET 1 OF 1 | APP. MS | Oct-18-06 | |