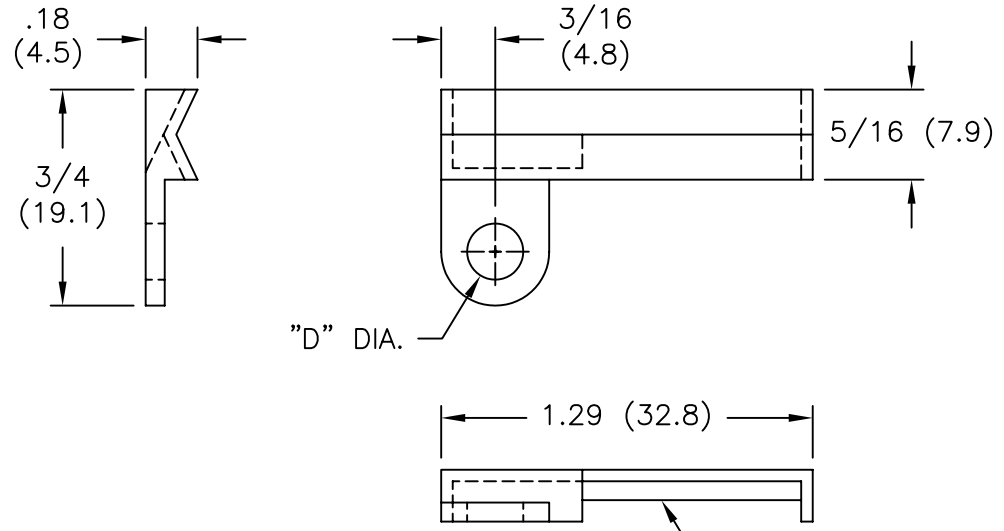


PART NO.	"D" DIA.
FTH-11-8-01	.170 (4.3)
FTH-11-10-01	.195 (5.0)



NOTES:

1. MATERIAL: NYLON 6/6 (RMS-01),
COLOR: NATURAL.
2. FLAME RETARDANT NYLON (RMS-19),
COLOR: NATURAL,
AVAILABLE BY SPECIAL ORDER ONLY;
TO ORDER USE P/N FTH-11-8-19 OR
FTH-11-10-19.

ACCOMMODATES WIT-18 THRU WIT-60,
AND QTE-18 THRU QTE-50 TIES

TITLE: FLAT TIE HOLDER				DWG IN IN (MM)	
TOLERANCES UNLESS NOTED .XX=±.010 .XXX=±.005 FRAC=±1/64 ANG=±1°			FILE # FTH-11 MAT'L: SEE NOTES RE: RICHCO, INC.	DWN: P.B. DT: 12-21-95 APP: DT:	PART # SEE TABLE
C SEE ECN #1124 FOR CHANGES B CHANGED FILE NO. A DIM. 3/4 AND FR NYLON (RMS-19) ADDED REV DESCRIPTION	SK 01.24.06 SM 10.25.01 J.L. 01.07.00 ENGR DATE	RICHCO INC. PO BOX 804238, CHICAGO, 60680 (773) 539-4060	FINAL	PRINT TYPE CA	