

ETM4-1T-2

4:1 RF Transformer
0.05 - 3.072 MHz

M/A-COM Products
Part Status: Released Rev V5

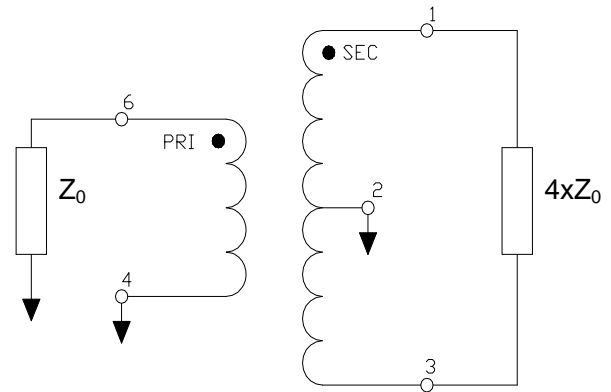
Features

- Surface Mount
- 4:1 Impedance
- CT on Secondary
- 50 Ohm

Description

M/A-COM's ETM4-1T-2 is a 4:1 RF Transformer in a low cost surface mount package. Ideally suited for high volume CATV application.

Schematic



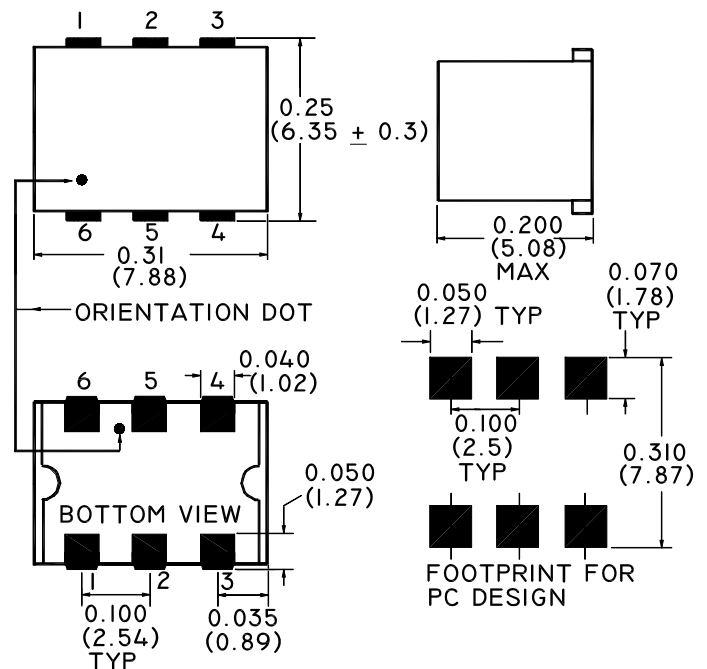
Pin Configuration

Function	Pin Number
Secondary Dot	1
Secondary Centre Tap	2
Secondary	3
Primary	4
Not Connected	5
Primary Dot	6

Ordering Information

Part Number	Package
ETM4-1T-2TR	900 pieces per reel

Case Style SM-1



Dimensions are inches (millimeters) ±0.015 (0.38) unless otherwise specified.

4:1 RF Transformer
0.05 - 3.072 MHz

M/A-COM Products
Part Status: Released Rev V5

Electrical Specifications: $T_A = 25^\circ\text{C}$, 0dBm, $Z_0 = 50\Omega$

Parameter	Test Conditions	Units	Min.	Typ.	Max.
Frequency Range	.05 – 3.072 MHz				
Insertion Loss	.05 – 3.072 MHz	dB	–	–	1
Amplitude Balance	.05 – 3.072 MHz	dB	–	–	± 0.1
Phase Balance	.05 – 3.072 MHz	$^\circ$	–	–	± 1
Input Return Loss	.05 – .20 MHz	dB	18	–	–
	.20 - 3.072 MHz	dB	25	–	–

Absolute Maximum Ratings

Parameter	Absolute Maximum
RF Power	250mW
DC Current	30mA
Operating Temperature	-20°C to +85°C
Storage Temperature	-55°C to +100°C