

**PLEASE CHECK WWW.MOLEX.COM FOR LATEST PART INFORMATION**

**Part Number:** [0873400698](#)  
**Status:** **Active**  
**Description:** 2.00mm (.079") Pitch Milli-Grid™ Receptacle, Surface Mount (Very Low Profile), Top Entry, with Locating Pegs, with Pick-and-Place Cap, 0.76µm (30µ") Gold (Au) Plating, 6 Circuits, Lead-free, Embossed Tape on Reel

**Documents:**

[3D Model](#)  
[Drawing \(PDF\)](#)

[RoHS Certificate of Compliance \(PDF\)](#)

**Agency Certification**

CSA LR19980  
 UL E29179

**General**

Product Family PCB Receptacles  
 Series [87340](#)  
 Application Board-to-Board  
 Comments <LI>With Cap  
 Product Literature Order No 987650-1991  
 Product Name Milli-Grid™

**Physical**

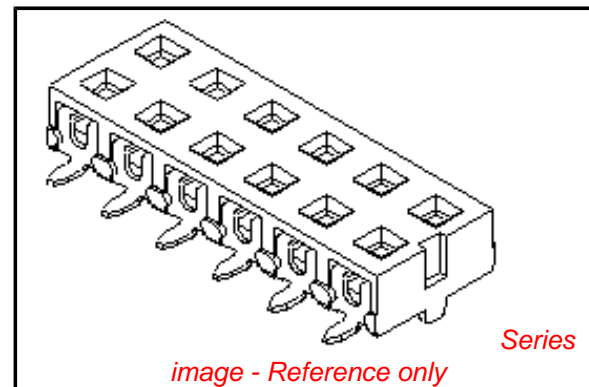
Circuits (Loaded) 6  
 Durability (mating cycles max) 25  
 Flammability 94V-0  
 Glow-Wire Compliant No  
 Lock to Mating Part Yes  
 Material - Metal Phosphor Bronze  
 Material - Plating Mating Gold  
 Material - Plating Termination Tin  
 Number of Rows 2  
 Orientation Vertical  
 PCB Locator Yes  
 PCB Retention None  
 PCB Thickness Recommended (mm) 0.80 mm  
 Packaging Type Embossed Tape on Reel  
 Pitch - Mating Interface (in) 0.079 In  
 Pitch - Mating Interface (mm) 2.00 mm  
 Plating min: Mating (µin) 30  
 Plating min: Mating (µm) 0.76  
 Polarized to Mating Part No  
 Polarized to PCB No  
 Surface Mount Compatible (SMC) N/A  
 Temperature Range - Operating -55°C to +105°C  
 Termination Interface: Style Surface Mount

**Electrical**

Current - Maximum per Contact 1A  
 Voltage - Maximum 125V

**Solder Process Data**

Duration at Max. Process Temperature (seconds) 14  
 Lead-free Process Capability Reflow Capable (SMT only)  
 Max. Cycles at Max. Process Temperature 1  
 Process Temperature max. C 265



**EU RoHS**

**ELV and RoHS Compliant**  
**REACH SVHC**  
 Not Reviewed  
**Halogen-Free Status**  
**Not Reviewed**

**China RoHS**



**Need more information on product environmental compliance?**

Email [productcompliance@molex.com](mailto:productcompliance@molex.com)  
 For a multiple part number RoHS Certificate of Compliance, [click here](#)

Please visit the [Contact Us](#) section for any non-product compliance questions.

**Search Parts in this Series**

[87340Series](#)

**Mates With**

[87759](#) Vertical, Surface Mount, Stackable PCB Headers, [87760](#) Right Angle, Through Hole, Stackable PCB Headers, [87758](#) Vertical, Through Hole, Stackable PCB Headers

**Material Info**

**Reference - Drawing Numbers**

Sales Drawing

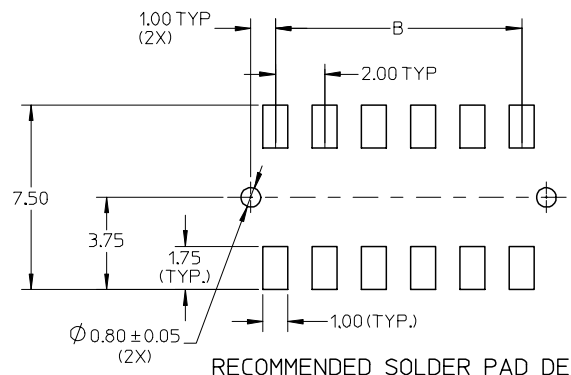
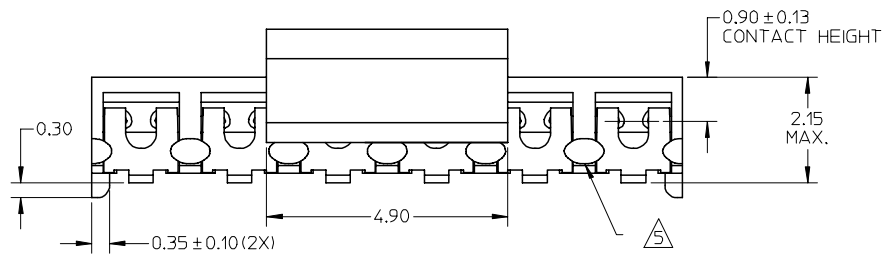
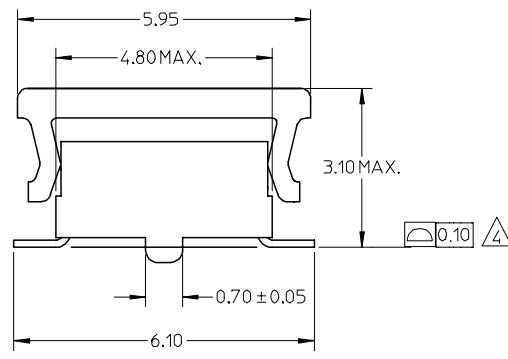
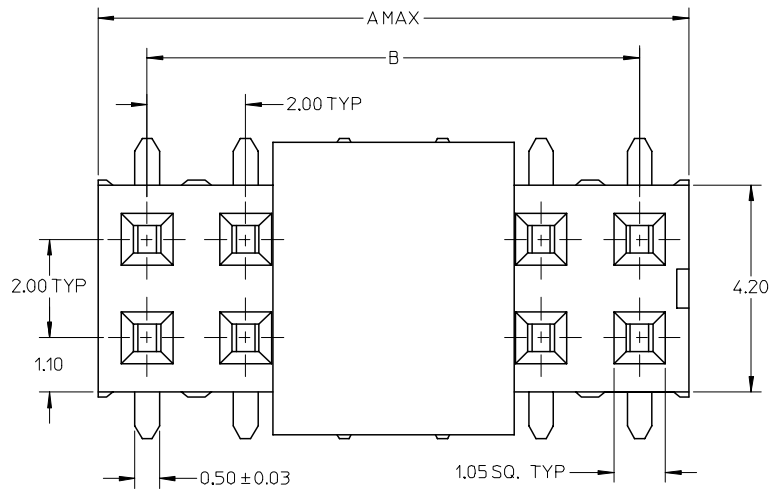
SD-87340-\*\*-94

This document was generated on 04/08/2010

**PLEASE CHECK [WWW.MOLEX.COM](http://WWW.MOLEX.COM) FOR LATEST PART INFORMATION**

10 9 8 7 6 5 4 3 2 1

| PART NUMBER<br>W/CAP IN TUBE | CKT.<br>SIZE | DIM. A | DIM. B |
|------------------------------|--------------|--------|--------|
| 87340-0497                   | 4            | 4.00   | 2.00   |
| 87340-0697                   | 6            | 6.00   | 4.00   |
| 87340-0897                   | 8            | 8.00   | 6.00   |
| 87340-1097                   | 10           | 10.00  | 8.00   |
| 87340-1297                   | 12           | 12.00  | 10.00  |
| 87340-1497                   | 14           | 14.00  | 12.00  |
| 87340-1697                   | 16           | 16.00  | 14.00  |
| 87340-1897                   | 18           | 18.00  | 16.00  |
| 87340-2097                   | 20           | 20.00  | 18.00  |



RECOMMENDED SOLDER PAD DESIGN

NOTES:

- FOR ILLUSTRATION PURPOSES, DRAWING SHOWS PART WITH 12 CIRCUIT SIZE.
- MATERIAL:  
HOUSING & CAP:  
HIGH TEMPERATURE THERMOPLASTIC, UL RATED 94V-0 SUITABLE FOR SURFACE-MOUNT SOLDERING PROCESS. COLOR BLACK  
TERMINAL: PHOSPHOR BRONZE ALLOY.
- PLATING- 0.76µM MINIMUM GOLD PLATE AT CONTACT AREA, AND 1.90µM MINIMUM TIN PLATE AT P.C TAIL AREA, BOTH OVER 1.27µM MINIMUM NICKEL OVERALL.
- COPLANARITY OF P.C TAIL TO BE MEASURED BY RESTING THE PART ON A FLAT GAGE SURFACE.
- THIS AREA OF PART TO BE HEAT-STAKED TO RETAIN CONTACTS.
- POSITION OF CAP TO BE LOCATED AT CENTER OF DIMENSION "A" REGARDLESS OF CIRCUIT SIZE.
- PRODUCT SPECIFICATION PS-87340 APPLIES.
- PART TO BE PACKAGED IN TAPE-&-REEL. SEE SHEET 2 FOR PACKAGING DETAILS.
- CONTACT FACTORY FOR PARTS AVAILABILITY.

|                   |            |
|-------------------|------------|
| OBS TIN/LEAD P/N  | 2006/04/03 |
| EC NO: S2006-0732 | 2006/04/04 |
| DRWN:MLONG        | 2006/04/04 |
| CHKD:NAGESHKN     | 2006/04/05 |
| APPR:PTLIM        | 2006/04/05 |

|                 |             |
|-----------------|-------------|
| QUALITY SYMBOLS | DESCRIPTION |
| ▽=0             |             |
| ▽=0             |             |

|  |       |
|--|-------|
| GENERAL TOLERANCES (UNLESS SPECIFIED)                |       |
| mm   | INCH  |
| 4 PLACES ± ---                                       | ± --- |
| 3 PLACES ± ---                                       | ± --- |
| 2 PLACES ± 0.20                                      | ± --- |
| 1 PLACE ± ---  | ± --- |
| ANGULAR ± 3 °  |       |
| DRAFT WHERE APPLICABLE MUST REMAIN WITHIN DIMENSIONS |       |

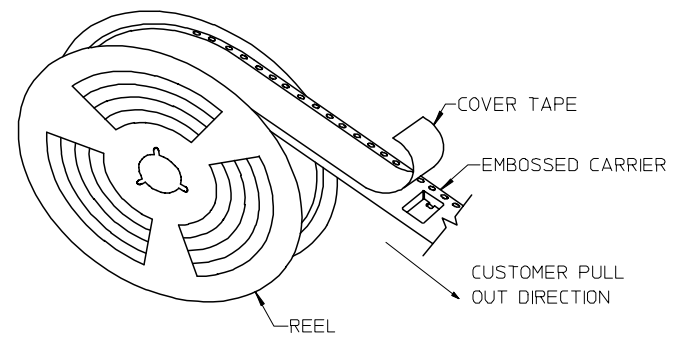
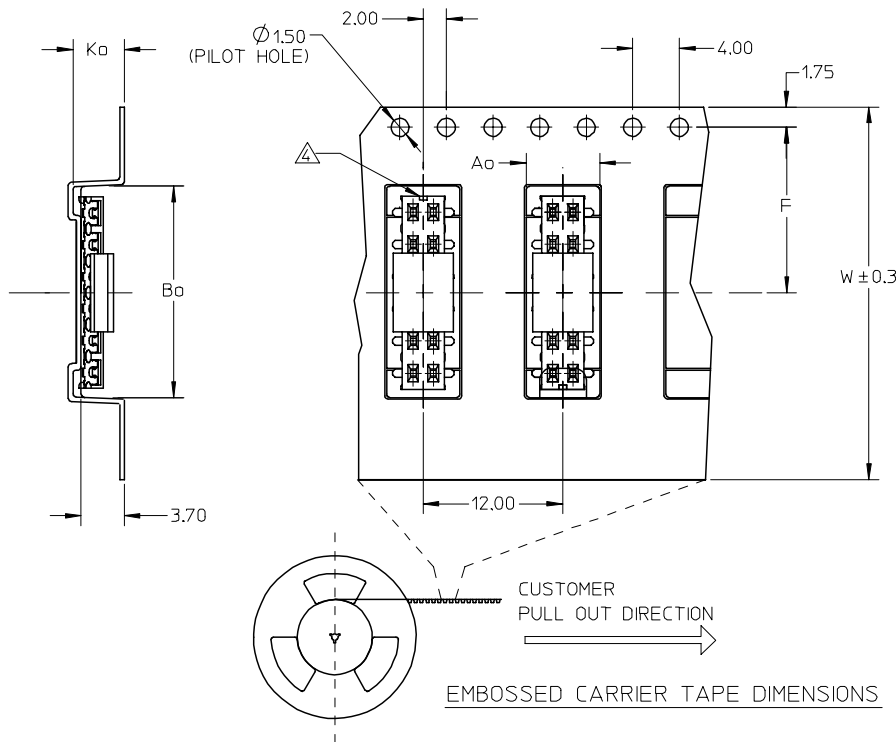
|                 |            |
|-----------------|------------|
| DIMENSION STYLE |            |
| MM ONLY         |            |
| DRAWN BY        | DATE       |
| DS0H            | 1997/06/19 |
| CHECKED BY      | DATE       |
| KCLING          | 1997/06/25 |
| APPROVED BY     | DATE       |
| SKTOH           | 1997/06/27 |
| MATERIAL NO.    |            |
| SEE TABLE       |            |

|   |              |                        |
|---|--------------|------------------------|
| SCALE   | DESIGN UNITS | THIRD ANGLE PROJECTION |
| NTS   | METRIC       |                        |
| TITLE   |              |                        |
| MGRID, VLPR II  |              |                        |
| TOP ENTRY RECEPT., SMT  |              |                        |
| W/CAP FOR PICK-&-PLACE  |              |                        |
| MOLEX INCORPORATED  |              |                        |
| DOCUMENT NO.  |              | SHEET NO.              |
| SD-87340-**94   |              | 1 OF 2                 |
| THIS DRAWING CONTAINS INFORMATION THAT IS PROPRIETARY TO MOLEX INCORPORATED AND SHOULD NOT BE USED WITHOUT WRITTEN PERMISSION |              |                        |

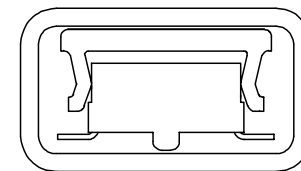
9 8 7 6 5 4 3 2 1

10 9 8 7 6 5 4 3 2 1

| PART NUMBER<br>W/CAP IN TAPE/REEL | CKT.<br>SIZE | A <sub>0</sub> | B <sub>0</sub> | F     | W     | K <sub>0</sub> |
|-----------------------------------|--------------|----------------|----------------|-------|-------|----------------|
| 87340-0498                        | 4            | 6.70           | 5.30           | 11.50 | 24.00 | 5.30           |
| 87340-0698                        | 6            | 6.50           | 6.50           | 7.50  | 16.00 | 4.50           |
| 87340-0898                        | 8            | 6.70           | 8.40           | 11.50 | 24.00 | 5.30           |
| 87340-1298                        | 12           | 6.60           | 12.40          | 11.50 | 24.00 | 4.40           |
| 87340-1498                        | 14           | 6.60           | 14.30          | 11.50 | 24.00 | 4.40           |
| 87340-1698                        | 16           | 6.60           | 16.30          | 11.50 | 24.00 | 4.40           |
| 87340-2098                        | 20           | 6.70           | 20.50          | 20.20 | 44.00 | 5.30           |



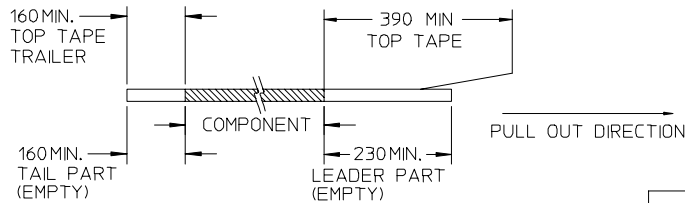
TAPE AND REEL ASSEMBLY SHOWN IS FOR ILLUSTRATION ONLY.



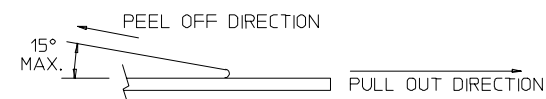
PART IN TUBE VIEW

NOTES:

1. LEADER AND TRAILER TAPE



2. PEELING OFF FORCE OF THE TOP TAPE: 20-80gf. (PEELING DIRECTION AS SHOWN IN FOLLOWING FIGURE)



3. PACKAGING STANDARD IS AS PER EIA-481.

△ NO FIX ORIENTATION OF ASSEMBLY PART IN T&R.

|  |   |                 |
|--|---|-----------------|
| OBS<br>EC NO: S2006-0732<br>DRWN:MLONG<br>CHKD:NGESHKN<br>APPR:PTLIM | P/N<br>2006/04/03<br>2006/04/04<br>2006/04/05 | QUALITY SYMBOLS |
|  |   | ▼=0             |
|  |   | △=0             |
|  |   | REV             |

|             |                 |
|-------------|-----------------|
| DESCRIPTION | QUALITY SYMBOLS |
|             | ▼=0             |
|             | △=0             |
| REV         |                 |

|  |                 |   |              |                        |
|--|-----------------|---|--------------|------------------------|
| GENERAL TOLERANCES (UNLESS SPECIFIED)                | DIMENSION STYLE | SCALE   | DESIGN UNITS | THIRD ANGLE PROJECTION |
|  | MM ONLY         | NTS   | METRIC       |                        |
|  | mm              |   |              |                        |
|  | INCH            |   |              |                        |
|  | ANGULAR ± 3°    |   |              |                        |
| DRAFT WHERE APPLICABLE MUST REMAIN WITHIN DIMENSIONS | SIZE            | THIS DRAWING CONTAINS INFORMATION THAT IS PROPRIETARY TO MOLEX INCORPORATED AND SHOULD NOT BE USED WITHOUT WRITTEN PERMISSION |              |                        |

|              |               |                        |
|--------------|---------------|------------------------|
| DRAWN BY     | DATE          | TITLE                  |
| DSOH         | 1997/06/19    | MGRID, VLPR II         |
| CHECKED BY   | DATE          | TOP ENTRY RECEPT., SMT |
| KCLING       | 1997/06/25    | W/CAP FOR PICK-&-PLACE |
| APPROVED BY  | DATE          | MOLEX INCORPORATED     |
| SKTOH        | 1997/06/27    |                        |
| MATERIAL NO. | DOCUMENT NO.  | SHEET NO.              |
| SEE TABLE    | SD-87340-**94 | 2 OF 2                 |

|   |              |               |           |
|---|--------------|---------------|-----------|
| MOLEX   | MATERIAL NO. | DOCUMENT NO.  | SHEET NO. |
|   | SEE TABLE    | SD-87340-**94 | 2 OF 2    |
| THIS DRAWING CONTAINS INFORMATION THAT IS PROPRIETARY TO MOLEX INCORPORATED AND SHOULD NOT BE USED WITHOUT WRITTEN PERMISSION |              |               |           |

9 8 7 6 5 4 3 2 1