

PLEASE CHECK WWW.MOLEX.COM FOR LATEST PART INFORMATION

Part Number: [0545961010](#)
Status: **Active**
Description: MINI MI2 REC. ASSY (SN)

Documents:

| | |
|--|--|
| 3D Model | Product Specification PS-54596-021 (PDF) |
| Drawing (PDF) | Product Specification PS-54596-022 (PDF) |
| Product Specification PS-54596-005 (PDF) | Product Specification PS-54596-023 (PDF) |
| Product Specification PS-54596-006 (PDF) | Product Specification PS-54769-004 (PDF) |
| Product Specification PS-54596-007 (PDF) | Product Specification PS-55448-001 (PDF) |
| Product Specification PS-54596-018 (PDF) | Product Specification PS-55482-006 (PDF) |
| Product Specification PS-54596-019 (PDF) | Product Specification PS-55659-005 (PDF) |
| Product Specification PS-54596-020 (PDF) | RoHS Certificate of Compliance (PDF) |

General

| | |
|-------------------------|---------------------------|
| Product Family | IDT and Solder Connectors |
| Series | 54596 |
| Crimp Quality Equipment | Yes |
| Product Name | Mini Mi II™ |

Physical

| | |
|--------------------------------|--------------------------|
| Circuits (Loaded) | 10 |
| Color - Resin | Natural |
| Gender | Female |
| Glow-Wire Compliant | No |
| Lock to Mating Part | None |
| Material - Metal | Phosphor Bronze |
| Material - Plating Mating | Tin |
| Material - Plating Termination | Tin |
| Material - Resin | Nylon |
| Number of Rows | 1 |
| Packaging Type | Bag |
| Panel Mount | No |
| Pitch - Mating Interface (in) | 0.049 In |
| Pitch - Mating Interface (mm) | 1.25 mm |
| Plating min: Mating (µin) | 36 |
| Plating min: Mating (µm) | 0.90 |
| Plating min: Termination (µin) | 36 |
| Plating min: Termination (µm) | 0.90 |
| Stackable | No |
| Temperature Range - Operating | -40°C to +105°C |
| Termination Interface: Style | IDT or Pierce |
| Wire Insulation Diameter | 0.80-0.90mm (.031-.035") |
| Wire Size AWG | 26, 28 |

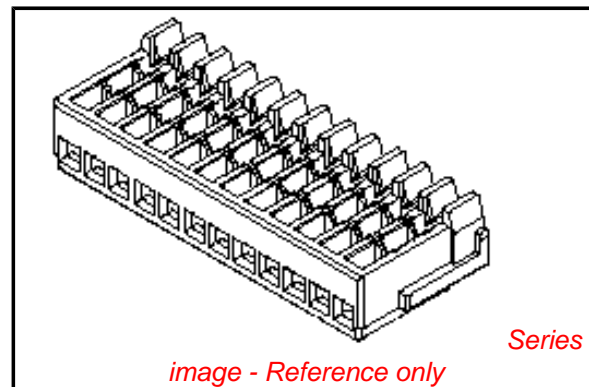
Electrical

| | |
|-------------------------------|------|
| Current - Maximum per Contact | 1.5A |
| Voltage - Maximum | 100V |

Material Info

Reference - Drawing Numbers

| | |
|-----------------------|---|
| Product Specification | PS-54596-005, PS-54596-006, PS-54596-007, PS-54596-018, PS-54596-019, PS-54596-020, PS-54596-021, PS-54596-022, PS-54596-023, PS-54769-004, PS-55448-001, PS-55482-006, PS-55659-005, RPS-54596-012, RPS-54596-013, |
|-----------------------|---|



EU RoHS

ELV and RoHS Compliant
REACH SVHC
Not Reviewed
Halogen-Free Status
Not Reviewed

China RoHS



Need more information on product environmental compliance?

Email productcompliance@molex.com
For a multiple part number RoHS Certificate of Compliance, [click here](#)

Please visit the [Contact Us](#) section for any non-product compliance questions.

Search Parts in this Series

[54596Series](#)

Mates With

[55451](#) , [55447](#) , [55454](#) , [55659](#) , [55456](#) , [55482](#) , [55450](#)

Application Tooling | FAQ

Tooling specifications and manuals are found by selecting the products below. Crimp Height Specifications are then contained in the Application Tooling Specification document.

Japan

| Description | Product # |
|--|----------------------------|
| IDT Bench-Top Terminator for Mini Mi II™ | 0578277100 |
| Hand Crimper | 0578345000 |
| Fully-Automated IDT Machine (XELOM-PLUS) | 0578008300 |

Sales Drawing

RPS-54596-014, RPS-54596-016, RPS-54596-017,
RPS-54596-022, RPS-54596-023, RPS-54596-024,
RPS-54596-025, RPS-54596-026, RPS-54966-004,
RPS-55448-004
SD-54596-004

Fully-Automated IDT 0578008400
Machine (XELOM-
PLUS)

This document was generated on 04/16/2010

PLEASE CHECK WWW.MOLEX.COM FOR LATEST PART INFORMATION

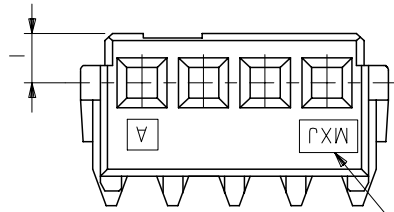
| 番号 NO. | 名称 NAME | 原料 MATERIAL | 数量 QT'Y | 仕上げ FINISH |
|--------|----------------|-----------------------------------|---------|-------------------|
| ① | ハウジング HOUSING | ナイロン NYLON | 1 | UL 94V-0 |
| ② | ターミナル TERMINAL | リン青銅 (+0.2) PHOSPHOR BRONZE(+0.2) | N | 全体錫メッキ PRE-TINNED |

注) NOTES

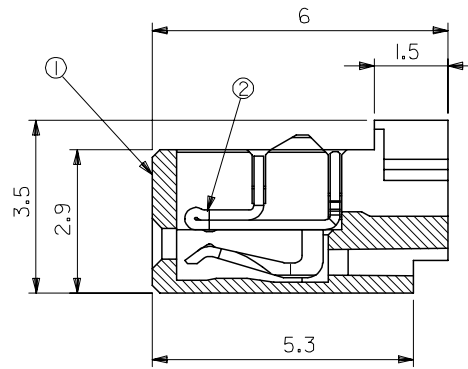
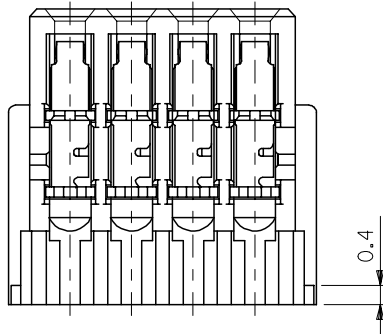
1. 原料および仕上げ : 表参照
MATERIAL AND FINISH : SEE CHART.

△ 製品番号
MATERIAL NO.
54596-***1*

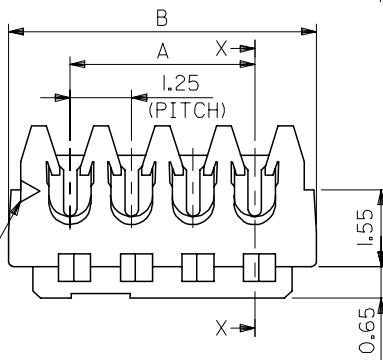
| 極数 | CIRCUIT SIZE | 色 | COLOR |
|----|--------------|-----|---------|
| 10 | 20 | 自然色 | NATURAL |
| 12 | 18 | 赤 | RED |
| 13 | 17 | 黄 | YELLOW |



トレードマーク
TRADE MARK



SECTION X-X



| | | | |
|-------|-------|----|------------|
| 26.25 | 23.75 | 20 | 54596-201* |
| 25 | 22.5 | 19 | 54596-191* |
| 23.75 | 21.25 | 18 | 54596-181* |
| 22.5 | 20 | 17 | 54596-171* |
| 21.25 | 18.75 | 16 | 54596-161* |
| 20 | 17.5 | 15 | 54596-151* |
| 18.75 | 16.25 | 14 | 54596-141* |
| 17.5 | 15 | 13 | 54596-131* |
| 16.25 | 13.75 | 12 | 54596-121* |
| 15 | 12.5 | 11 | 54596-111* |
| 13.75 | 11.25 | 10 | 54596-101* |
| 12.5 | 10 | 9 | 54596-091* |
| 11.25 | 8.75 | 8 | 54596-081* |
| 10 | 7.5 | 7 | 54596-071* |
| 8.75 | 6.25 | 6 | 54596-061* |
| 7.5 | 5 | 5 | 54596-051* |
| 6.25 | 3.75 | 4 | 54596-041* |
| 5 | 2.5 | 3 | 54596-031* |
| 3.75 | 1.25 | 2 | 54596-021* |

54596-***1*

| B | A | 極数 | 製品番号 | MODEL NO. |
|---|--------------|-----------------|--------------|--------------------------|
| CIRCUIT SIZE | MATERIAL NO. | | | |
| GENERAL TOLERANCES (UNLESS SPECIFIED) | | DIMENSION STYLE | SCALE | DESIGN UNITS |
| 10 UNDER ±0.2 | | MM ONLY | 10:1 | METRIC |
| 10 OVER 30 UNDER ±0.25 | | DRAWN BY | DATE | TITLE |
| 30 OVER ±0.3 | | HTAKASE | '99/04/29 | SMALL M12 REC. ASS'Y(SN) |
| ANGULAR ±3 ° | | CHECKED BY | DATE | |
| DRAFT WHERE APPLICABLE MUST REMAIN WITHIN DIMENSIONS | | YITO | | |
| | | APPROVED BY | DATE | |
| | | HIKESUGI | | |
| | | MATERIAL NO. | DOCUMENT NO. | SHEET NO. |
| | | SEE CHART | SD-54596-004 | 1 OF 1 |
| THIS DRAWING CONTAINS INFORMATION THAT IS PROPRIETARY TO MOLEX INCORPORATED AND SHOULD NOT BE USED WITHOUT WRITTEN PERMISSION | | | | |

| | |
|----------------------|-------------|
| WIRE RANGE 適用電線範囲 | AWG #26,#28 |
| WIRE RANGE 被覆外径 | φ0.8~φ0.9 |

REVISED
EC NO: J2005-2687
DRWN: HOSOKAWA 2005/03/25
CHKD: TOYODA 2005/03/25
APPR: NUKITA 2005/04/05