

PLEASE CHECK WWW.MOLEX.COM FOR LATEST PART INFORMATION

Part Number: [0533980371](#)
Status: **Active**
Overview: [picoblade](#)
Description: 1.25mm (.049") Pitch PicoBlade™ Header, SMT, Vertical, Lead-free, 3 Circuits

Documents:

[3D Model](#) [Product Specification PS-51021-024 \(PDF\)](#)
[Drawing \(PDF\)](#) [RoHS Certificate of Compliance \(PDF\)](#)

Agency Certification

UL E29179

General

Product Family PCB Headers
 Series [53398](#)
 Application Wire-to-Board
 MolexKits Yes
 Overview [picoblade](#)
 Product Name PicoBlade™

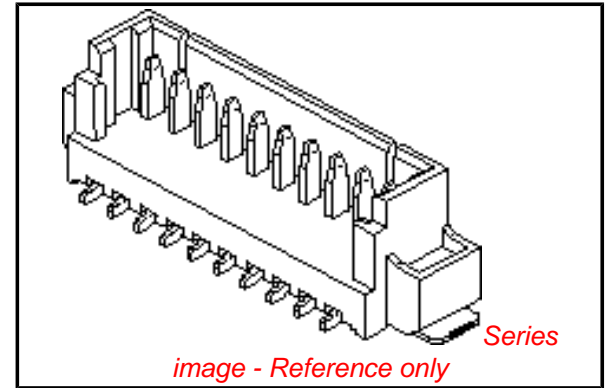
Physical

Breakaway No
 Circuits (Loaded) 3
 Color - Resin Natural
 Durability (mating cycles max) 30
 First Mate / Last Break No
 Flammability 94V-0
 Glow-Wire Compliant No
 Guide to Mating Part No
 Lock to Mating Part Yes
 Mated Height (in) 0.224 In
 Mated Height (mm) 5.70 mm
 Material - Metal Phosphor Bronze
 Material - Plating Mating Tin
 Material - Plating Termination Tin
 Material - Resin Nylon
 Number of Rows 1
 Orientation Vertical
 PC Tail Length (in) 0.024 In
 PC Tail Length (mm) 0.60 mm
 PCB Locator No
 PCB Retention Yes
 Packaging Type Embossed Tape on Reel
 Pitch - Mating Interface (in) 0.049 In
 Pitch - Mating Interface (mm) 1.25 mm
 Polarized to Mating Part Yes
 Polarized to PCB Yes
 Shrouded Partial
 Stackable No
 Temperature Range - Operating -40°C to +85°C
 Termination Interface: Style Surface Mount

Electrical

Current - Maximum per Contact 1A
 Voltage - Maximum 125V

Material Info



EU RoHS

**ELV and RoHS
 Compliant
 REACH SVHC
 Contains SVHC: No
 Halogen-Free
 Status**

China RoHS



**Need more information on product
 environmental compliance?**

Email productcompliance@molex.com
 For a multiple part number RoHS Certificate of
 Compliance, [click here](#)

Please visit the [Contact Us](#) section for any
 non-product compliance questions.

Search Parts in this Series

[53398Series](#)

Mates With

[51021](#) PicoBlade™ Wire-to-Wire and Wire-
 to-Board Housing

Reference - Drawing Numbers

Packaging Specification

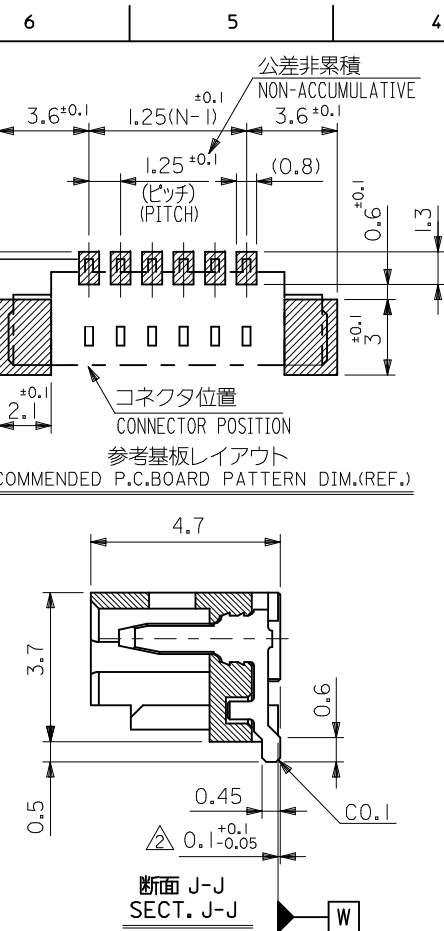
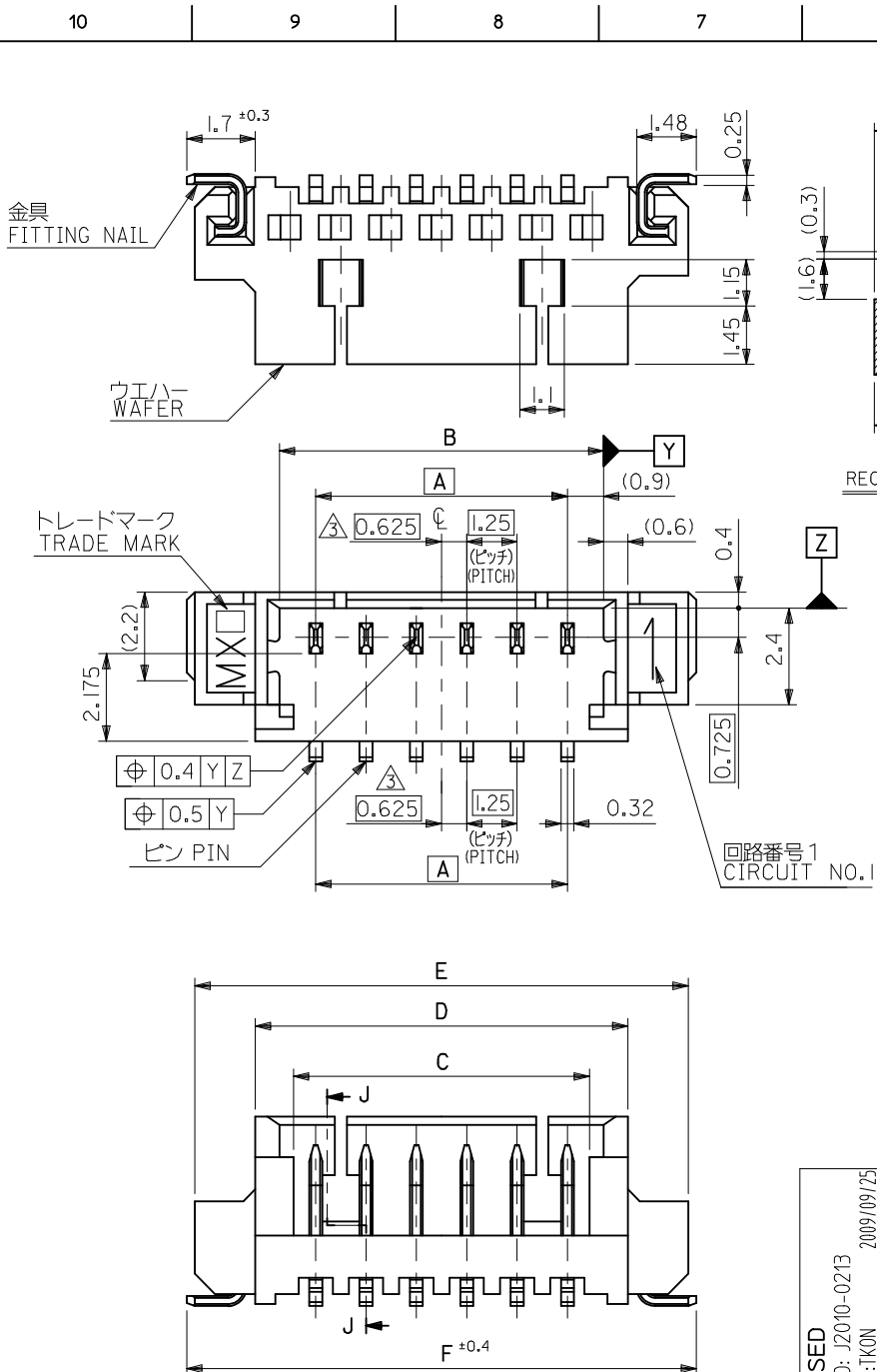
Product Specification

SPK-53398-001, SPK-53398-002
PS-51021-024, RPS-51021-038, RPS-51021-039,
RPS-51021-040, RPS-51021-043, RPS-51021-045,
RPS-51021-046, RPS-51021-047, RPS-51021-051,
RPS-51021-053, RPS-51021-057, RPS-51021-064,
RPS-51021-065, RPS-51021-067, RPS-51021-068,
RPS-51021-074, RPS-51021-077, RPS-51021-081,
RPS-51021-085, RPS-51021-086, RPS-51021-091,
RPS-51021-092, RPS-51021-097, RPS-51021-098,
RPS-51021-099, RPS-51021-101, RPS-53398-002,
RPS-53398-038
SD-53398-032, SD-53398-033

Sales Drawing

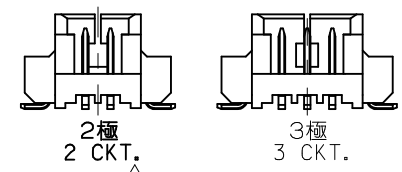
This document was generated on 05/25/2010

PLEASE CHECK WWW.MOLEX.COM FOR LATEST PART INFORMATION



注記 NOTES

- 嵌合相手 : 51021 シリーズ MATE WITH : 51021 SERIES
- 水平面上において、ウエハー底面 W とソルダーテール及びフィッティングネイル底面とのズレ量を示す。
MISALIGNMENT OF SOLDER TAIL & FITTING NAIL FROM W
- 偶数極にのみ適用。APPLY EVEN CIRCUIT PRODUCTS.
- ロック窓は、2、3極は1ヶ所、4極以上は2ヶ所とする。
LOCKING WINDOW : ONE PLACE FOR 2&3 CKTS. TWO PLACES FOR MORE THAN 4 CKTS.
- 材質 MATERIAL PA, UL94V-0 COLOR:NATURAL
ウエハー : WAFER
ピン : リン青銅
PIN : PHOS-BRO
: 鏡メッキ 1.0 マイクロメートル以上
: MATTE TIN 1.0 MICROMETER MINIMUM
: ニッケル下地 1.0 マイクロメートル以上
: NICKEL(UNDER PLATING) 1.0 MICROMETER MINIMUM
金具 : リン青銅
FITTING NAIL : PHOS-BRO
: 鏡メッキ 1.0 マイクロメートル以上
: MATTE TIN 1.0 MICROMETER MINIMUM
: ニッケル下地 1.0 マイクロメートル以上
: NICKEL(UNDER PLATING) 1.0 MICROMETER MINIMUM
- 本製品は 53398-**-**10 の鉛フリー品である。
THIS PRODUCT IS LEAD FREE OF 53398-**-**10.



| | | | | | | |
|--|---------------------------------------|--|-----------------------------|---|---|------------------------|
| REVISED EC NO: J2010-0213 DRWN:TKON 2009/09/25 CHKD:NUKITA 2009/09/25 APPR:NUKITA 2009/09/28 | GENERAL TOLERANCES (UNLESS SPECIFIED) | | DIMENSION STYLE MM ONLY | SCALE --- | 53398-**-**19 | MODEL NO. |
| | 10 UNDER | ±0.2 | DRAWN BY MNINOMIYA | DATE 04/02/06 | DESIGN UNITS METRIC | THIRD ANGLE PROJECTION |
| | 10 OVER 30 UNDER | ±0.25 | CHECKED BY KTOJO | DATE 04/02/06 | 1.25 W/B CONN. ASS'Y FOR SMT(ST.) -LEAD FREE- | |
| | 30 OVER | ±0.3 | APPROVED BY MSASAO | DATE 04/02/06 | MOLEX INCORPORATED | |
| REV | DESCRIPTION | ANGULAR ±3 ° | MATERIAL NO. SEE SHEET 2 | DOCUMENT NO. SD-53398-032 | SHEET NO. 1 OF 2 | |
| | | DRAFT WHERE APPLICABLE MUST REMAIN WITHIN DIMENSIONS | SIZE A3 | THIS DRAWING CONTAINS INFORMATION THAT IS PROPRIETARY TO MOLEX INCORPORATED AND SHOULD NOT BE USED WITHOUT WRITTEN PERMISSION | | |

10 9 8 7 6 5 4 3 2 1

F

F

E

E

D

D

C

C

B

B

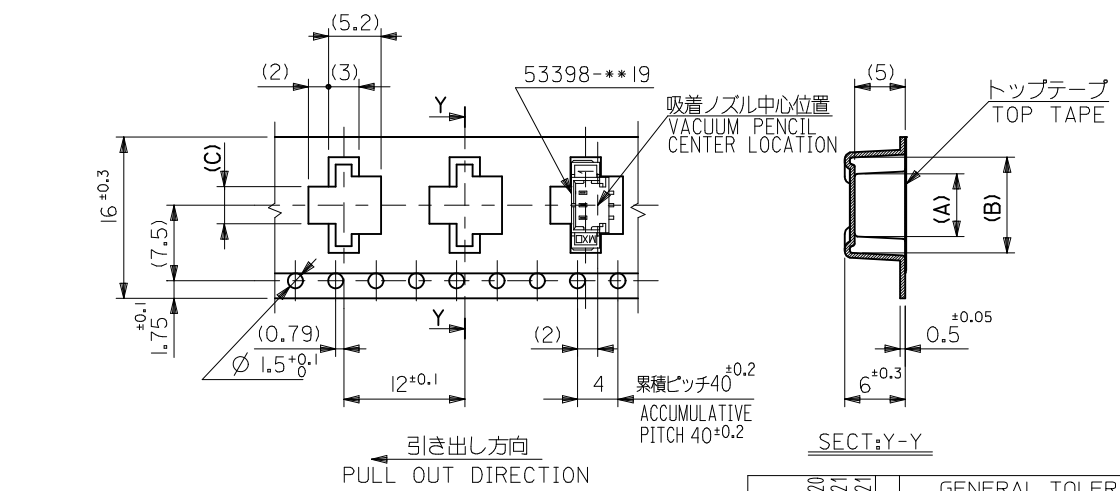
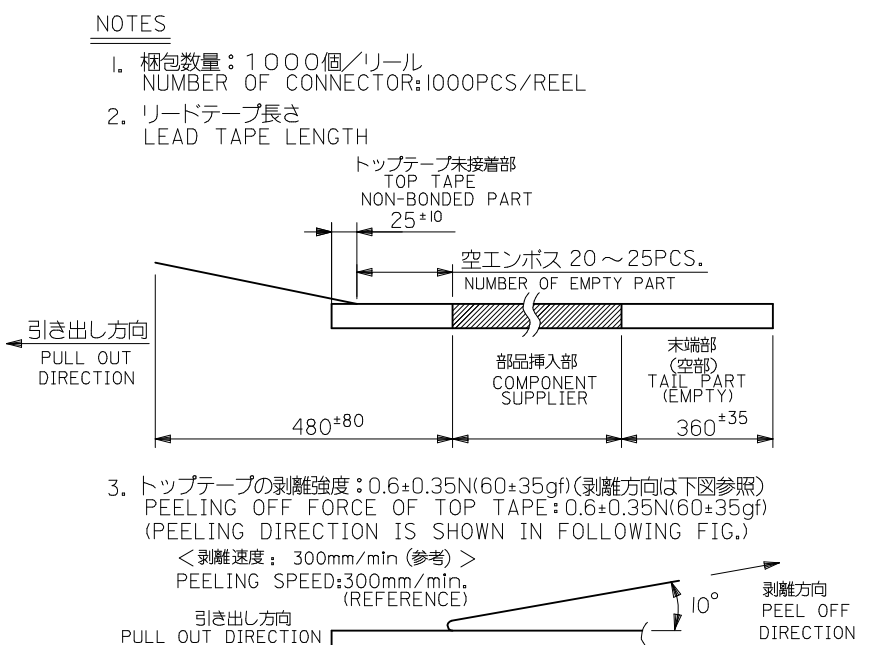
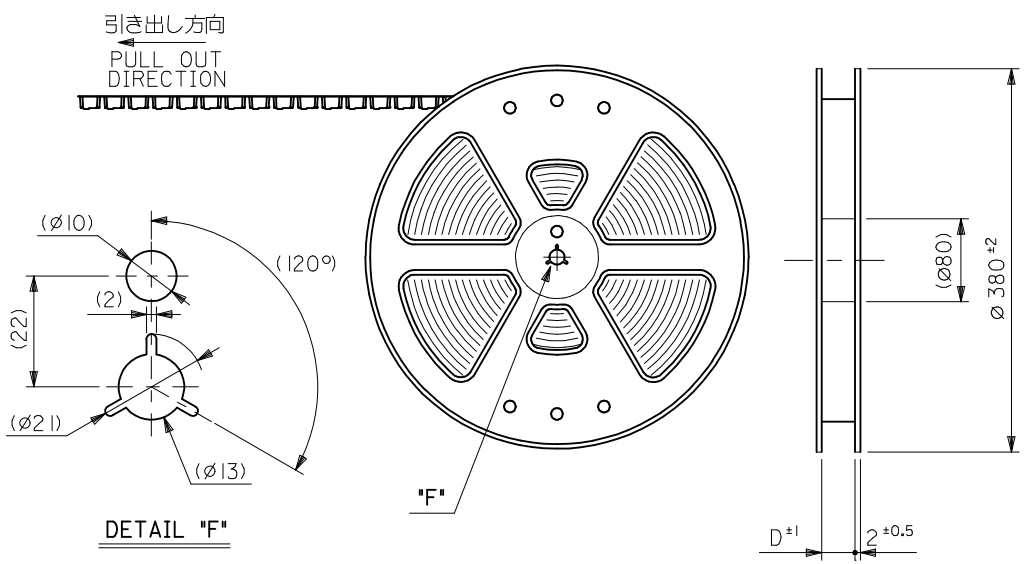
A

A

| | | | | | | | |
|-------|-------|-------|-------|-------|-------|--|-----------------------|
| 23.9 | 23.5 | 20.5 | 18.6 | 19.3 | 17.5 | 53398-1571 | 15 |
| 22.65 | 22.25 | 19.25 | 17.35 | 18.05 | 16.25 | 53398-1471 | 14 |
| 21.4 | 21 | 18 | 16.1 | 16.8 | 15 | 53398-1371 | 13 |
| 20.15 | 19.75 | 16.75 | 14.85 | 15.55 | 13.75 | 53398-1271 | 12 |
| 18.9 | 18.5 | 15.5 | 13.6 | 14.3 | 12.5 | 53398-1171 | 11 |
| 17.65 | 17.25 | 14.25 | 12.35 | 13.05 | 11.25 | 53398-1071 | 10 |
| 16.4 | 16 | 13 | 11.1 | 11.8 | 10 | 53398-0971 | 9 |
| 15.15 | 14.75 | 11.75 | 9.85 | 10.55 | 8.75 | 53398-0871 | 8 |
| 13.9 | 13.5 | 10.5 | 8.6 | 9.3 | 7.5 | 53398-0771 | 7 |
| 12.65 | 12.25 | 9.25 | 7.35 | 8.05 | 6.25 | 53398-0671 | 6 |
| 11.4 | 11 | 8 | 6.1 | 6.8 | 5 | 53398-0571 | 5 |
| 10.15 | 9.75 | 6.75 | 4.85 | 5.55 | 3.75 | 53398-0471 | 4 |
| 8.9 | 8.5 | 5.5 | 3.6 | 4.3 | 2.5 | 53398-0371 | 3 |
| 7.65 | 7.25 | 4.25 | 2.35 | 3.05 | 1.25 | 53398-0271 | 2 |
| F | E | D | C | B | A | EMBOSSED TAPE PKG. (HIGH BARRIER PKG.) ORDER No. | 種数 No. of &T's. |

CONNECTOR SERIES NO. 53398-***19

| | | | | | | | |
|--|---------------------------------------|-------|---|------------------|--|------------------------|---------------------|
| REVISED EC NO: J2010-0213 DRWN:TKON 2009/09/25 CHKD:NUKITA 2009/09/25 APPR:NUKITA 2009/09/28 | GENERAL TOLERANCES (UNLESS SPECIFIED) | | DIMENSION STYLE MM ONLY | SCALE --- | DESIGN UNITS METRIC | THIRD ANGLE PROJECTION | |
| | 10 UNDER | ±0.2 | DRAWN BY MNINOMIYA | DATE 04/02/06 | TITLE 1.25 W/B CONN. ASS'Y FOR SMT(ST.) -LEAD FREE- | | |
| | 10 OVER 30 UNDER | ±0.25 | CHECKED BY KTOJO | DATE 04/02/06 | APPROVED BY MSASAO 04/02/06 | | |
| | 30 OVER | ±0.3 | MATERIAL NO. SEE TABLE | | DOCUMENT NO. SD-53398-032 | | SHEET NO. 2 OF 2 |
| | ANGULAR ±3 ° | | DRAFT WHERE APPLICABLE MUST REMAIN WITHIN DIMENSIONS THIS DRAWING CONTAINS INFORMATION THAT IS PROPRIETARY TO MOLEX INCORPORATED AND SHOULD NOT BE USED WITHOUT WRITTEN PERMISSION | | | | |

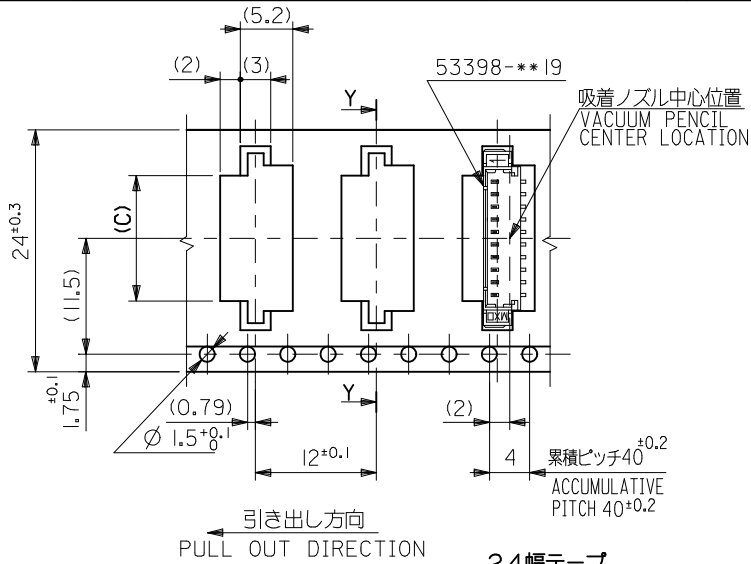


- 53398-***19 の詳細寸法については図面 SD-53398-032 を参照下さい。
RE DETAILED DIMENSIONS, SEE SD-53398-032.
- 材料 (MATERIAL)
キャリアテープ (CARRIER TAPE): ポリプロピレン (POLYPROPYLENE)
トップテープ (TOP TAPE): PET, PE, PEF
リール (REEL): ポリスチレン (P.S) <リサイクル材含む>
POLYSTYRENE (PS) <RECYCLE MATERIAL CONTAINED>
- 本製品は 53398-***90 の鉛フリー品である。
THIS PRODUCT IS LEAD FREE OF 53398-***90.
- 本製品は乾燥剤入り、ハイバリア梱包仕様である。
THIS PRODUCT IS HIGH BARRIER PACKAGE WITH DESICCANT.

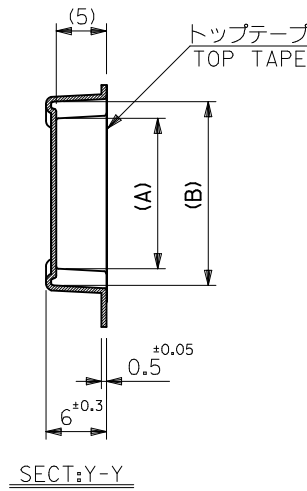
| | | | | | | | |
|--------------------------------|------|------|------|------|------|--------------|------------|
| 16 | 21.4 | 17.4 | 3.7 | 9.5 | 5.8 | 53398-0371 | 3 |
| | | | 2.45 | 8.25 | 4.55 | 53398-0271 | 2 |
| キャリアテープ幅 CARRIER TAPE WIDTH | E | D | (C) | (B) | (A) | MATERIAL NO. | 極数 CKT. |

16幅テープ
(TAPE WIDTH: 16)

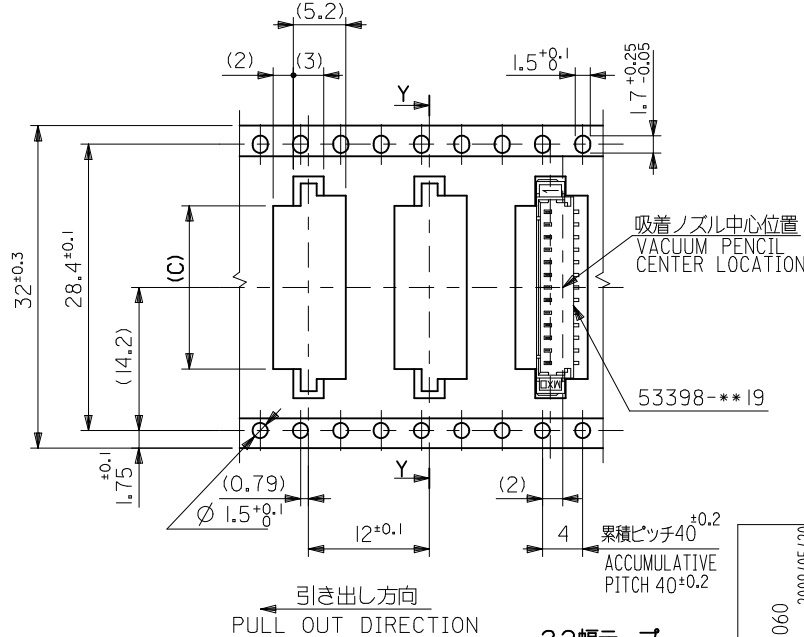
| | | | | | | | | |
|---|-------------|---|-----------|-----------------------|-----------|--------------------|--|--|
| REVISED EC NO: J2009-2060 DRWN:TKON 2009/05/20 CHKD:HMATSUMOTO 2009/05/21 APPR:NIKIITA 2009/05/21 | DESCRIPTION | GENERAL TOLERANCES (UNLESS SPECIFIED) | | DIMENSION STYLE | SCALE | DESIGN UNITS | THIRD ANGLE PROJECTION | |
| | | | | MM ONLY | --- | METRIC | ☉ □ | |
| | | 10 UNDER | ±0.2 | DRAWN BY | DATE | TITLE | 1.25 W/B CONN WAFER ASSY FOR SMT. EMBSTP. PKG. -LEAD FREE- | |
| | | 10 OVER 30 UNDER | ±0.25 | NINOMIYA | '04/02/06 | MOLEX INCORPORATED | | |
| 30 OVER | ±0.3 | K. TOJO | '04/02/06 | DOCUMENT NO. | SHEET NO. | | | |
| ANGULAR ±3 ° | | DRAFT WHERE APPLICABLE MUST REMAIN WITHIN DIMENSIONS | | SEE TABLE & SHEET 2.3 | | SD-53398-033 | | |
| SIZE A3 | | THIS DRAWING CONTAINS INFORMATION THAT IS PROPRIETARY TO MOLEX INCORPORATED AND SHOULD NOT BE USED WITHOUT WRITTEN PERMISSION | | | | | | |



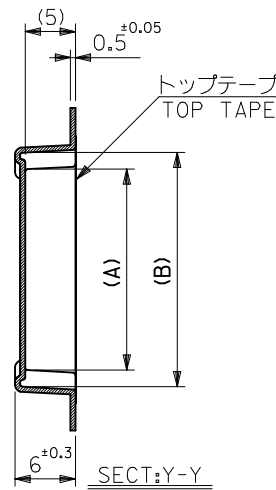
24幅テープ
(TAPE WIDTH:24)



SECT:Y-Y



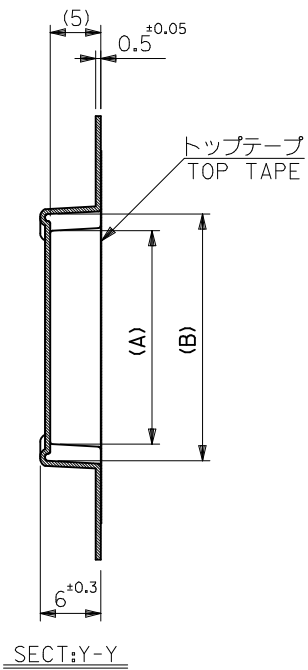
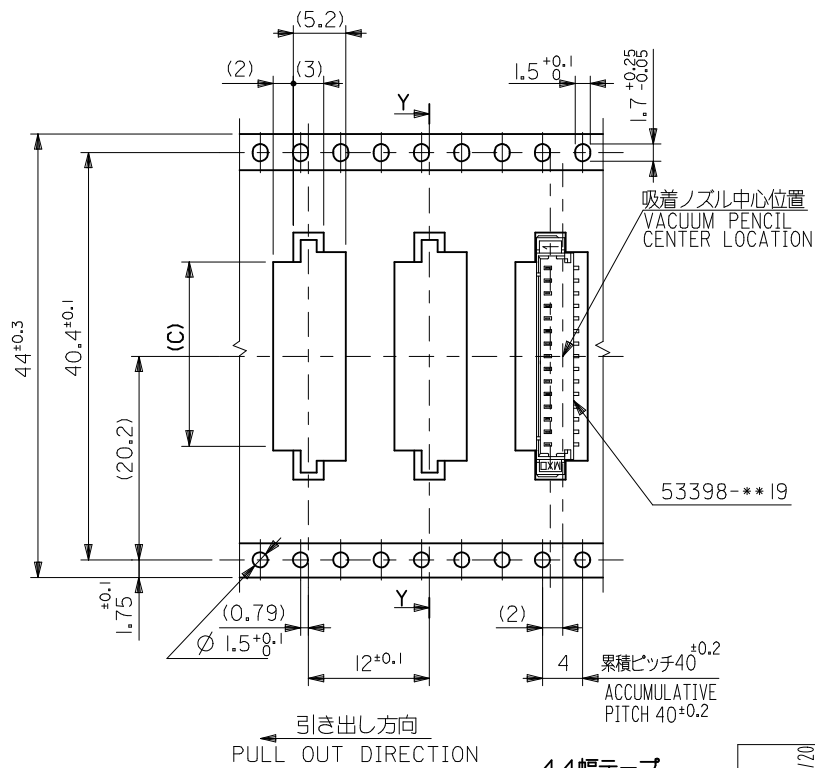
32幅テープ
(TAPE WIDTH:32)



SECT:Y-Y

| | | | | | | | | |
|--------------------------------|------|------|-------|-------|-------|------------|--------------|------------|
| 32 | 37.4 | 33.4 | 16.2 | 22 | 18.3 | 53398-1371 | 13 | |
| | | | 14.95 | 20.75 | 17.05 | ↑ -1271 | 12 | |
| 24 | 29.4 | 25.4 | 13.7 | 19.5 | 15.8 | ↑ -1171 | 11 | |
| | | | 12.45 | 18.25 | 14.55 | -1071 | 10 | |
| | | | 11.2 | 17 | 13.3 | -0971 | 9 | |
| | | | 9.95 | 15.75 | 12.05 | -0871 | 8 | |
| | | | 8.7 | 14.5 | 10.8 | -0771 | 7 | |
| | | | 7.45 | 13.25 | 9.55 | -0671 | 6 | |
| 24 | 29.4 | 25.4 | 6.2 | 12 | 8.3 | ↓ -0571 | 5 | |
| | | | 4.95 | 10.75 | 7.05 | 53398-0471 | 4 | |
| キャリアテープ幅 CARRIER TAPE WIDTH | | E | D | (C) | (B) | (A) | MATERIAL NO. | 極数 CKT. |

| | | | | | | | | | |
|--|--------------|--|-------|----------------------------|-------------------|--|------------------------|---------------------------|--|
| REVISED EC NO: J2009-2060 DRWN:TKON 2009/05/20 CHKD:HMATSUMOTO 2009/05/21 APPR:NUKITA 2009/05/21 | DESCRIPTION | GENERAL TOLERANCES (UNLESS SPECIFIED) | | DIMENSION STYLE MM ONLY | | SCALE --- | DESIGN UNITS METRIC | THIRD ANGLE PROJECTION | |
| | | 10 UNDER | ±0.2 | DRAWN BY NINOMIYA | DATE '04/02/06 | TITLE 1.25 W/B CONN WAFER ASSY FOR SMT. EMBSTP. PKG. -LEAD FREE- | | | |
| | | 10 OVER 30 UNDER | ±0.25 | CHECKED BY K. TOJO | DATE '04/02/06 | MOLEX INCORPORATED DOCUMENT NO. SD-53398-033 SHEET NO. 2 OF 3 | | | |
| | | 30 OVER | ±0.3 | APPROVED BY M. SASAO | DATE '04/02/06 | | | | |
| REV | ANGULAR ±3 ° | DRAFT WHERE APPLICABLE MUST REMAIN WITHIN DIMENSIONS | | SEE TABLE & SHEET 1,3 | | THIS DRAWING CONTAINS INFORMATION THAT IS PROPRIETARY TO MOLEX INCORPORATED AND SHOULD NOT BE USED WITHOUT WRITTEN PERMISSION | | | |



44幅テープ
(TAPE WIDTH:44)

| | | |
|---------|-------------------|------------|
| REVISED | EC NO: J2009-2060 | 2009/05/20 |
| | DRWN:TKON | 2009/05/21 |
| | CHKD:HMATSUMOTO | 2009/05/21 |
| | APPR:NUKITA | 2009/05/21 |
| REV | DESCRIPTION | |

| | |
|--|-------|
| GENERAL TOLERANCES (UNLESS SPECIFIED) | |
| 10 UNDER | ±0.2 |
| 10 OVER 30 UNDER | ±0.25 |
| 30 OVER | ±0.3 |
| ANGULAR | ±3 ° |
| DRAFT WHERE APPLICABLE MUST REMAIN WITHIN DIMENSIONS | |

| | | | | | | | |
|--------------------------------|------|------|-------|-------|-------|--------------|------------|
| 44 | 49.4 | 45.4 | 18.7 | 24.5 | 20.8 | 53398-1571 | 15 |
| | | | 17.45 | 23.25 | 19.55 | 53398-1471 | 14 |
| キャリアテープ幅 CARRIER TAPE WIDTH | E | D | (C) | (B) | (A) | MATERIAL NO. | 極数 CKT. |

| | | | | |
|--------------------------------------|--|---|------------------------|---------------------------|
| DIMENSION STYLE MM ONLY | | SCALE --- | DESIGN UNITS METRIC | THIRD ANGLE PROJECTION |
| DRAWN BY NINOMIYA | DATE '04/02/06 | TITLE 1.25 W/B CONN WAFER ASSY FOR SMT. EMBSTP. PKG. -LEAD FREE- | | |
| CHECKED BY K. TOJO | DATE '04/02/06 | MOLEX INCORPORATED | | |
| APPROVED BY M. SASAO | DATE '04/02/06 | DOCUMENT NO. SD-53398-033 | SHEET NO. 3 OF 3 | |
| MATERIAL NO. SEE TABLE & SHEET 12 | THIS DRAWING CONTAINS INFORMATION THAT IS PROPRIETARY TO MOLEX INCORPORATED AND SHOULD NOT BE USED WITHOUT WRITTEN PERMISSION | | | |